
ALPHA WIRE COMPANY
CUSTOMER PRODUCT SPECIFICATION

Part Number: 783
Page 1 of 2 Pages

Issue: 3
Issue Date: 5/20/2004
Effective Date: 6/30/2004

A. Cordage Construction

- 1) Conductor
 - a) Material Bare Copper Per ASTM B-3
 - b) AWG, Stranding 16, 26/30; Finer stranding may be used.

- 2) Insulation
 - a) Material Rubber
 - b) Min. Avg. Wall Thickness 0.030
 - c) Nominal Diameter 0.120

- 3) Core Assembly
 - a) Number of Conductors 3
 - b) Color Code Black, White & Green/Yellow or Black, White & Green within Munsell® Component extended limits of deviation.
[Note: The stripe of the Green/Yellow insulation shall be 50% +/- 20%.]
 - c) Fillers Optional
 - d) Separator Tissue Paper

- 4) Jacket
 - a) Material Rubber
 - b) Surface Finish Smooth, non-striated
 - c) Min. Avg. Wall Thickness 0.030
 - d) Nominal Diameter 0.340
 - e) Color Black; within Munsell® Component limits of deviation
 - f) UL, CSA Type SJ**, Minimum
 - g) Jacket Marking Per UL Standard 62 and CSA C22.2 No. 49.

** Cordage Types with a UL/CSA rating greater than Type SJ may be substituted.

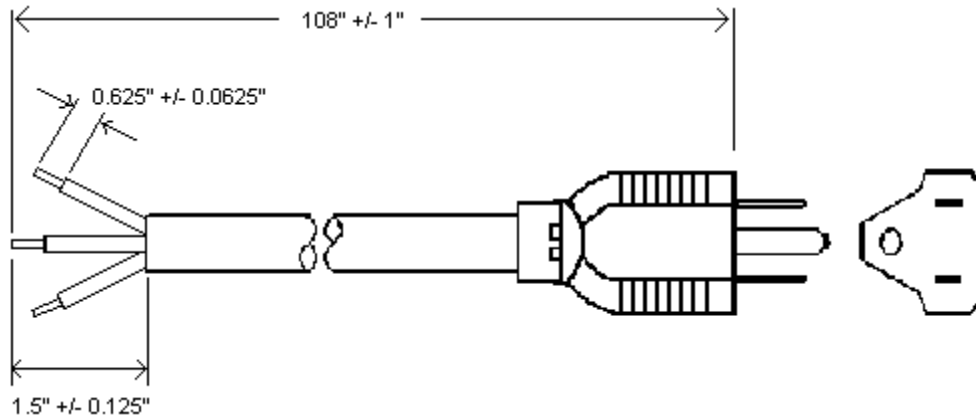
B. Cord Configuration

- 1) End 1 Molded Vinyl Grounding Plug, NEMA 5-15P
- 2) End 2 Jacket Stripped 1.5" +/- .125"
Insulation Stripped 0.625" +/- 0.0625"
- 3) Mold Color Black
- 4) Overall Length 108" +/- 1"

ALPHA WIRE COMPANY
CUSTOMER PRODUCT SPECIFICATION

Part Number: 783
Page 2 of 2 Pages

Issue: 3
Issue Date: 5/20/2004
Effective Date: 6/30/2004



C. Industry Approvals and Ratings

- | | |
|-----------------------|------------------|
| 1) UL | UL Standard 817 |
| 2) CSA | CSA C22.2 No. 21 |
| 3) Voltage Rating | 125 Vrms |
| 4) Current Rating | 13 Amps |
| 5) Temperature Rating | 60°C, Minimum |

X-ON Electronics

Largest Supplier of Electrical and Electronic Components

Click to view similar products for [AC Power Leads](#) category:

Click to view products by [Alpha manufacturer](#):

Other Similar products are found below :

[62500-1774](#) [1300000023](#) [312033-01](#) [YP-61+YC12](#) [P28818-M2](#) [YP21A+YC13](#) [FTP-629Y603](#) [1702002600](#) [1700001947](#) [J2014004L001-CC](#)
[SHELF](#) [IL13-EU1-H05-3100-300-S](#) [P28976-M45](#) [BB-3271V86](#) [W-97277](#) [W-97278](#) [W-97279](#) [W-97204](#) [W-97895](#) [W-98437](#) [W-98452](#) [W-](#)
[98453](#) [MWOC-PCA-3-3-2](#) [P29844-M5](#) [P29844-M10](#) [CP152](#) [CP154](#) [W-99245](#) [W-99246](#) [W-99249](#) [W-99251](#) [W-99252](#) [W-99253](#) [W-99254](#)
[W-99257](#) [W-99260](#) [W-99262](#) [W-99265](#) [W-99267](#) [W-99269](#) [W-99270](#) [W-99272](#) [W-99280](#) [W-99282](#) [S144720002](#) [S002020062](#)
[S007220315](#) [S007220344](#) [S007220303](#) [S007220307](#) [P28818-M6](#)