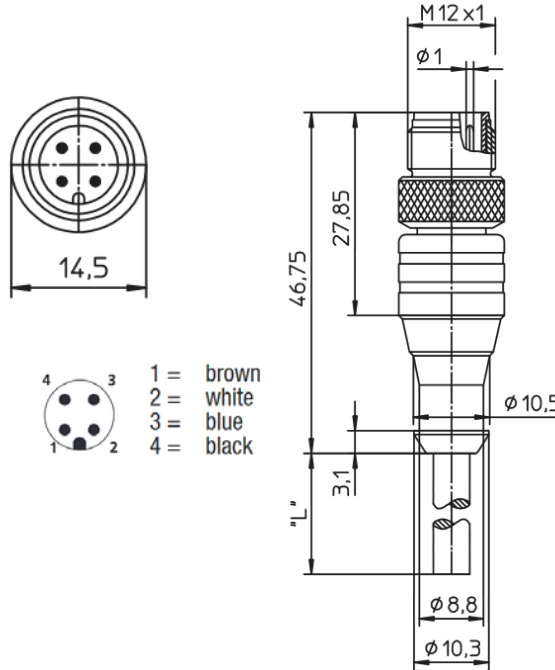


Drawings



Technical Data

| Cordage Construction | | Diameters (In) |
|---------------------------------|-------------------------------------|----------------|
| Cordage Part Number | 101 | |
| Component 1 | 4 COND | |
| a) Conductor | 22 (26/36) AWG Bare Copper | 0.027 |
| b) Insulation | 0.010" Wall, Nom. mPPE | 0.047 |
| Insulation Colors | Black, White, Brown & Blue | |
| Jacket | 0.040" Wall, Nom. PUR, Zero Halogen | 0.200 |
| a) Color(s) | SLATE | |
| Cord Configuration | | |
| End 1 | M12-A Male | |
| End 2 | Cut End | |
| Insert | Black TPU | |
| Mold Color | Black TPU | |
| Contact | Copper Alloy, Gold plated | |
| Coupling Nut | Copper Alloy, Nickel plated | |
| O-Ring | FKM | |
| Available Lengths | 0.6, 1, 3, 5, 10, 15, 20 Meters | |
| Applicable Specifications-Cable | | |

Issue: 1 Issue Date: 7/29/2016 Effective Date: 7/29/2016

| | | |
|---|---|--|
| UL | AWM/STYLE 20549 AWM/STYLE 21959 | 80°C / 300 V _{RMS} 90°C / 600 V _{RMS} |
| CSA International | C(RU) AWM I/II A/B FT1 | 90°C / 600 V _{RMS} |
| Applicable Specifications- Cord Set | | |
| UL | ANSI/UL 2238, Cable Assembly Extension RU, UL File Number E485156 | |
| CSA | CSA-C22.2 No. 182.3, Special Use Attachment Plugs, Receptacles and Connectors cRU, UL File Number E485156 | |
| Nominal Voltage | 240 V | |
| Rated Voltage | 250 V | |
| Ingress Protection | IP67/NEMA 6P | |
| Environmental Compliance | | |
| CE | All materials used in the manufacture of this part meet the requirements of European Directive 2011/65/EU regarding the restriction of use of certain hazardous substances in electrical and electronic equipment. Exemption used; 6a. | |
| REACH Regulation (EC 1907/2006) | This product does not contain Substances of Very High Concern (SVHC) listed on the European Union's REACH candidate list in excess of 0.1% mass of the item. | |
| Physical & Mechanical Properties | | |
| Temperature Range, Cord | -50 to 90°C(static), -40 to 80°C (dynamic) | |
| Temperature Range, Connector | -25°C to +80°C | |
| Bend Radius | 4X Cable Diameter (static), 6X Cable Diameter (dynamic) | |
| Pull Tension | 20.4 Lbs, Maximum | |
| Current Rating | 2.2 Amps @ 50°C | |
| Ordering Information | | |
| DR0400101 SL355 | 0.6 Meters | |
| DR0400101 SL356 | 1.0 Meters | |
| DR0400101 SL357 | 3.0 Meters | |
| DR0400101 SL358 | 5.0 Meters | |
| DR0400101 SL359 | 10.0 Meters | |
| DR0400101 SL400 | 15.0 Meters | |
| DR0400101 SL401 | 20.0 Meters | |
| Standard Package | Each | |

.....

Although Alpha Wire ("Alpha") makes every reasonable effort to ensure their accuracy at the time of this publication, information and specifications described herein are subject to error or omission and to change without notice, and the listing of such information and specifications does not ensure product availability. Alpha provides the information and specification herein on an "AS IS" basis, with no representations or warranties, whether express, statutory or implied. In no event will Alpha be liable any damages (including consequential, indirect, incidental, special, punitive, or exemplary damages) whatsoever, even if Alpha has been advised of the possibility of such damages, whether in an action under contract, negligence or any other theory, arising out of or in connection with the use, or inability to use, the

X-ON Electronics

Largest Supplier of Electrical and Electronic Components

Click to view similar products for [Sensor Cables / Actuator Cables](#) category:

Click to view products by [Alpha manufacturer](#):

Other Similar products are found below :

[1300070444](#) [43-10984](#) [M83513/19-F01CP](#) [704000D02F120](#) [MDM15SH001K](#) [MDM25PH003BF222](#) [802027107404-1](#) [885030A09M010](#)
[885030A09M020](#) [1200650174](#) [1200651332](#) [1200651713](#) [1200660171](#) [1200660208](#) [1200660343](#) [1200660804](#) [1200660845](#) [1200660926](#)
[1200660977](#) [1200661173](#) [1200661354](#) [120066-1712](#) [1200720053](#) [1200720099](#) [1200720153](#) [1200720172](#) [1200720217](#) [1200720226](#)
[1200720251](#) [1200720285](#) [1200720296](#) [1200720404](#) [1200730148](#) [1200730378](#) [1200800231](#) [1200860112](#) [1200860121](#) [1200860125](#)
[1200860337](#) [1200860365](#) [1200860420](#) [1200870046](#) [1200870123](#) [1200870248](#) [1200980102](#) [1200660181](#) [1200660183](#) [1200660827](#)
[1200660849](#) [1200661170](#)