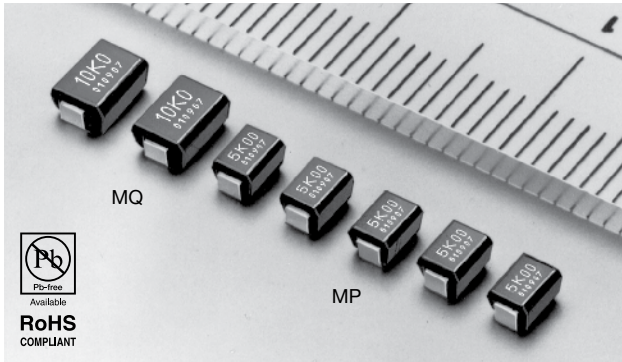


Ultra Precision SMT Resistor (Molded, J-Lead Terminal)



TCR, RESISTANCE RANGE, TOLERANCE, RATED POWER				
Type	TCR (ppm/°C) -55°C to +125°C	Resistance Range (Ω)	Resistance Tolerance (%)*	Rated Power (W) at 125°C
MP	0±10	30 to 100	±0.1	0.1
	0±5	100 to 30k	±0.05	
MQ	0±10	30 to 100	±0.1	0.125
	0±5	100 to 60k	±0.05	

* Please contact us for tighter tolerances.

COMPOSITION OF TYPE NUMBER

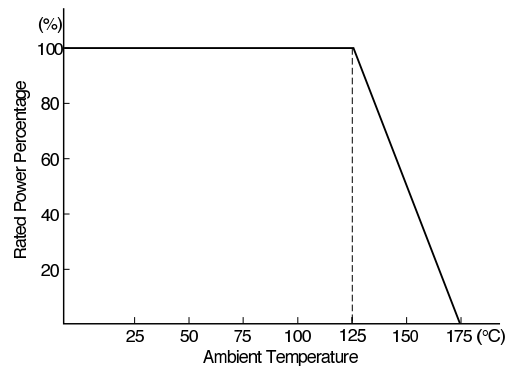
Example:

MQ 10K00 L

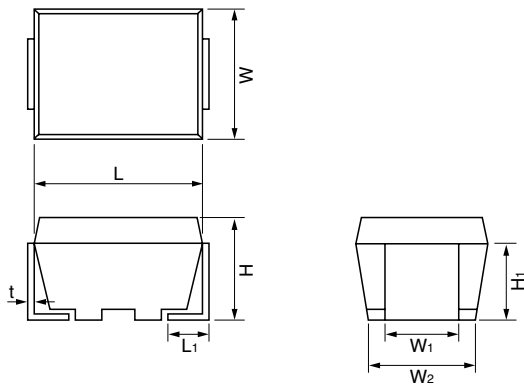
— Tape & Reel Package Required
— Resistance Value
— Type

Resistance value, in ohm, is expressed by a series of five characters, four of which represent significant digits. R or K is a dual-purpose letter that designates both the value range (R for ohmic; K for kilo-ohm) and the location of the decimal point.

POWER DERATING CURVE

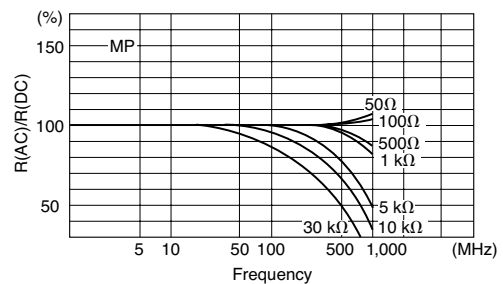


CONFIGURATION (DIMENSIONS IN mm)

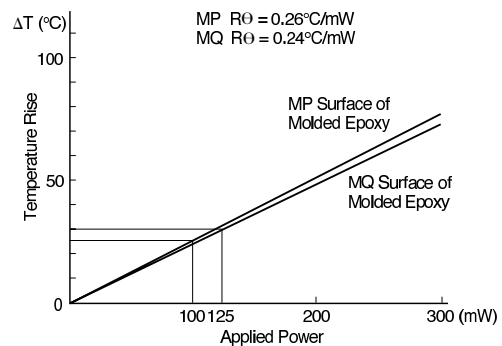


Type	MP	MQ
L	3.2±0.2	4.5±0.2
W	2.5±0.2	3.2±0.2
H	2.0±0.2	
L1	0.6±0.2	0.8±0.2
W1	1.4±0.3	
W2	2.3±0.2	3.0±0.2
H1	1.5±0.3	
t	0.15±0.05	

FREQUENCY CHARACTERISTICS



TEMPERATURE OF RESISTOR SURFACE



PERFORMANCE			
Parameters	Test Condition	ALPHA Specification	ALPHA Typical Test Data
Maximum Rated Operating Temperature Working Temperature Range Maximum Working Voltage Maximum Working Current			125°C -65°C to +175°C MP=50V, MQ=100V 350 mA
Thermal Shock Overload	-65°C/30 min. ↔ +175°C/30 min., 5 cycles Rated Voltage x 2.5, 5 sec.	±0.05% ±0.05%	±0.01% ±0.01%
Low Temperature Storage and Operation Substrate Bending Test	-65°C, No Load, 24 hrs. → Rated Voltage, 45 min. Substrate Bent 3 mm, 60 sec.	±0.05% ±0.05%	±0.01% ±0.01%
Dielectric Withstanding Voltage Insulation Resistance Resistance to Soldering Heat Moisture Resistance	Atmospheric: AC 200V, 1 min. DC 100V, 1 min. 260°C, 10 sec. +65°C to -10°C, 90% RH to 98% RH, Rated Voltage, 10 cycles (240 hrs.)	±0.01% over 10,000 MΩ ±0.05% ±0.05%	±0.005% over 10,000 MΩ ±0.01% ±0.03%
Shock Vibration, High Frequency	100G, 6 ms, Sawtooth Wave, X, Y, Z, each 10 shocks 20G, 10 Hz to 2,000 Hz to 10 Hz, 20 min., X, Y, Z, each 2.5 hrs.	±0.02% ±0.02%	±0.01% ±0.01%
Life	125°C, Rated Power, 1.5 hr. – ON, 0.5 hr. – OFF, 2,000 hrs.	±0.05%	±0.03%
Storage Life	15°C to 35°C, 15% RH to 75% RH, No Load, 10,000 hrs.	±0.005%	±0.0025%
High Temperature Exposure	175°C, No Load, 2,000 hrs.	±0.05%	±0.03%

TAPE AND REEL PACKAGE (BASED ON EIA-481-1) (DIMENSIONS IN mm)																	
Tape Dimensions										Reel Dimensions							
Type	A	B	C	D	E	F	G	H	J	A	N	B	C	D	W1	W2	r
MP	2.8 ±0.2	3.9 ±0.2	12.0 ±0.3	5.5 ±0.05	1.75 ±0.1	4.0 ±0.1	2.0 ±0.05	4.0 ±0.1	Dia. 1.5 ±0.1-0	Dia. 178 ±2	Dia. 60 min.	Dia. 13 ±0.5	Dia. 21 ±0.8	2 ±0.5	12.4 +2.0-0	18.4 max.	1.0 ±0.5
MQ	3.6 ±0.2	5.2 ±0.2	12.0 ±0.3	5.5 ±0.05	1.75 ±0.1	8.0 ±0.1	2.0 ±0.05	4.0 ±0.1	Dia. 1.5 ±0.1-0	Reel Capacity MP: 1,200 pieces/reel MQ: 800 pieces/reel							

PRECAUTION IN USING FACE-BONDED CHIP RESISTORS

- Storage**
Storage conditions or environment may adversely affect solderability of the exterior terminals. Do not store in high temperature and humidity. The recommended storage environment is lower than 40°C, has less than 70% RH humidity and is free from harmful gases such as sulphur and chlorine.
- Caution in Soldering**
 - Hand Soldering**
Hand soldering is applicable as shown at right.
Recommended
 - Temp. of iron tip: 240°C to 270°C
 - Power of iron: 20W or less
 - Diameter of tip: dia. 3 mm max.
 - Solder Reflow in Furnace**
Recommended
 - Peak temperature: 250+0/-5°C
 - Holding time: 10 sec. max.
 - To cool gradually at room temperature
 - Dipping in Solder (Wave or Still)**
Recommended
 - Temp. of solder: 260°C max
 - Length of dipping: 10 seconds
 - To cool gradually at room temperature
 - Other**
Corrosion-free flux, such as rosin, is recommended. Do not apply pressure to the molded housing immediately after soldering.
- Cleaning**
Use volatile cleaner such as methylalcohol or propyl alcohol.
- Circuit Board Design**
The dimensions of solder land must be determined in conformity with the size of resistors and with the soldering method. They are also subject to the mounting machine and the material of the substrate. See example below.

Type	A	B	C	D
MP	1.6 to 2.0	0.5 to 1.5	2.2 to 2.6	1.8
MQ				2.5

Dimensions in mm

When parts are mounted on a board in high density, solder can possibly attach to the resistors in an excessive amount to affect performance or reliability of the resistors. To prevent this effect, the use of solder resist is recommended to isolate solder lands.



Disclaimer

ALL PRODUCTS, PRODUCT SPECIFICATIONS AND DATA ARE SUBJECT TO CHANGE WITHOUT NOTICE.

Vishay Precision Group, Inc., its affiliates, agents, and employees, and all persons acting on its or their behalf (collectively, "VPG"), disclaim any and all liability for any errors, inaccuracies or incompleteness contained herein or in any other disclosure relating to any product.

The product specifications do not expand or otherwise modify VPG's terms and conditions of purchase, including but not limited to, the warranty expressed therein.

VPG makes no warranty, representation or guarantee other than as set forth in the terms and conditions of purchase. **To the maximum extent permitted by applicable law, VPG disclaims (i) any and all liability arising out of the application or use of any product, (ii) any and all liability, including without limitation special, consequential or incidental damages, and (iii) any and all implied warranties, including warranties of fitness for particular purpose, non-infringement and merchantability.**

Information provided in datasheets and/or specifications may vary from actual results in different applications and performance may vary over time. Statements regarding the suitability of products for certain types of applications are based on VPG's knowledge of typical requirements that are often placed on VPG products. It is the customer's responsibility to validate that a particular product with the properties described in the product specification is suitable for use in a particular application. You should ensure you have the current version of the relevant information by contacting VPG prior to performing installation or use of the product, such as on our website at vpgsensors.com.

No license, express, implied, or otherwise, to any intellectual property rights is granted by this document, or by any conduct of VPG.

The products shown herein are not designed for use in life-saving or life-sustaining applications unless otherwise expressly indicated. Customers using or selling VPG products not expressly indicated for use in such applications do so entirely at their own risk and agree to fully indemnify VPG for any damages arising or resulting from such use or sale. Please contact authorized VPG personnel to obtain written terms and conditions regarding products designed for such applications.

Product names and markings noted herein may be trademarks of their respective owners.

Copyright Vishay Precision Group, Inc., 2014. All rights reserved.

X-ON Electronics

Largest Supplier of Electrical and Electronic Components

Click to view similar products for [Metal Foil Resistors - SMD category](#):

Click to view products by [ALPHA manufacturer](#):

Other Similar products are found below :

[Y11201R00000D9W](#) [Y11195R00000D9W](#) [Y4023120R000Q9R](#) [Y1633259R750T9R](#) [Y406650R0000B0W](#) [Y16241K00000Q9R](#)
[Y16362K50000T9R](#) [Y4023350R000Q9R](#) [Y11721K00000T9R](#) [Y16365K00000F0W](#) [RCU-0C](#) [Y16292K50000T9R](#) [Y1624500R000T9R](#)
[Y16252K00000T9R](#) [Y406310K0000Q0R](#) [Y16301K00000T9R](#) [Y116910K0000T9R](#) [Y406320K0000Q0R](#) [Y40225K00000T0R](#)
[Y16271K00000T9R](#) [TL2BR082FTE](#) [MFC0603-R020FT5](#) [FC4TR100DER](#) [RWB10K00AL](#) [MFC2817-R051FT1](#) [MFC2817-R039FT1](#)
[VSM150620K000TB](#) [Y11190R50000D9W](#) [Y11200R10000D9W](#) [Y112110R0000B9R](#) [Y112110K0000T9R](#) [Y1121100R000T9R](#)
[Y11215R00000B9R](#) [Y112119K0000T0L](#) [Y112120K0000T9R](#) [Y1121250R000T9R](#) [Y112125K0000T9R](#) [Y11212K00000T9R](#)
[Y11212K50000T9R](#) [Y1121500R000T9R](#) [Y11235R00000B0L](#) [Y1169100R000T9R](#) [Y116910R0000B9R](#) [Y1169250R000T9R](#)
[Y11692K00000T9R](#) [Y116920K0000T9R](#) [Y116950K0000T9R](#) [Y1172700R000F0W](#) [Y16241K00000T9R](#) [Y1624200R000Q9R](#)