

### General Description

The AOZ1615 is a high-performance, easy-to-use buck regulator. Its 3MHz switching frequency, low quiescent current and small solution size make it an ideal choice for portable applications.

The AOZ1615 has a patented light load mode architecture allowing up to 85% efficiency at 1mA load currents, enabling longer standby times in battery operated systems.

The AOZ1615 has an input voltage range of 2.5V to 5.5V and provides up to 1.5A of output current with an output voltage adjustable down to 0.6V.

The AOZ1615 is available in a tiny 2mm X 3mm 8-pin DFN package and is rated over a -40°C to +85°C ambient temperature range.

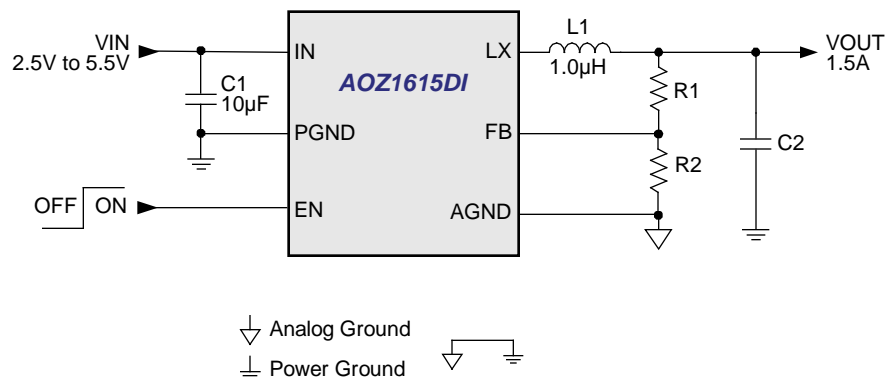
### Features

- 2.5V to 5.5V input voltage range
- 0.1 $\mu$ A shutdown current
- Automatic PFM/PWM mode switching
- Output voltage adjustable down to 0.6V
- Fixed output voltages available
- $\pm$ 2% initial accuracy
- Up to 1.5A continuous output current
- 3MHz Constant frequency operation
- Low drop-out operation – 100% duty cycle
- Cycle-by-cycle current-limit
- Thermal overload protection
- Excellent load transient response
- Internal soft-start
- Tiny 2mm X 3mm DFN-8 package

### Applications

- Smart phones
- Personal media players
- MP3 players
- Digital still cameras
- Wireless modems and LANs
- Portable USB devices

### Typical Application



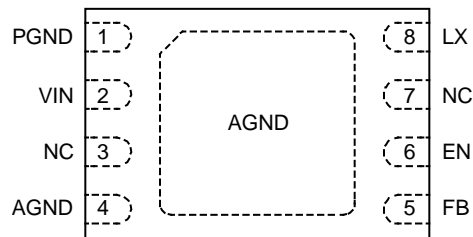
## Ordering Information

Part Number	Temperature Range	Package	Environmental
AOZ1615DI	-40°C to +85°C	8-Pin 2mm x 3mm DFN	Green Product



AOS Green Products use reduced levels of Halogens, and are also RoHS compliant. Please visit [www.aosmd.com/web/quality/rohs\\_compliant.jsp](http://www.aosmd.com/web/quality/rohs_compliant.jsp) for additional information.

## Pin Configuration



**8-Pin 2mm x 3mm DFN  
(Top View)**

## Pin Description

Part Number	Pin Name	Pin Function
1	PGND	Power Ground.
2	IN	Input Supply.
3, 7	NC	No Connect.
4	AGND	Analog Ground.
5	FB	Feedback Input. Connect an external resistive voltage divider to FB to set the output voltage.
6	EN	Enable Input. The device is enabled when EN is High and disabled with EN is Low.
8	LX	Switching Node.
PAD	AGND	Analog Ground.

## Absolute Maximum Ratings

Exceeding the Absolute Maximum Ratings may damage the device.

Parameter	Rating
IN, EN, FB to AGND	-0.3V to +6V
LX to AGND	-0.3V to $V_{IN} + 0.3V$
PGND to AGND	-0.3V to +0.3V
Storage Temperature ( $T_S$ )	-65°C to +150°C
Junction Temperature ( $T_J$ )	+150°C
Max. Soldering Temperature (10s)	+300°C
ESD Rating <sup>(1)</sup>	2kV

### Note:

1. Devices are inherently ESD sensitive, handling precautions are required. Human body model rating: 1.5k $\Omega$  in series with 100pF.

## Recommended Operating Ratings

This device is not guaranteed to operate beyond the Recommended Operating Ratings.

Parameter	Rating
Supply Voltage ( $V_{IN}$ )	2.5V to 5.5V
Ambient Temperature ( $T_A$ )	-40°C to +85°C
Junction Temperature ( $T_J$ )	Internally Limited
Package Thermal Resistance	
2x3 DFN-8 ( $\theta_{JA}$ )	55°C/W

## Electrical Characteristics

$T_A = 25^\circ\text{C}$ ,  $V_{IN} = 3.6V$ , EN = IN unless otherwise specified. Specifications in **BOLD** indicate a temperature range of -40°C to +85°C.

Symbol	Parameter	Conditions	Min.	Typ.	Max	Units
$V_{IN}$	Input Voltage Range		<b>2.5</b>		<b>5.5</b>	V
$V_{UV}$	Under-Voltage Lockout		2.11	2.3	2.49	V
	Under-Voltage Lockout Hysteresis			100		mV
$I_{IN}$	Input Supply Current	EN = IN, $V_{FB} = 1V$ , no load EN = AGND		40 0.01	65 0.1	$\mu\text{A}$
$V_{FB}$	Feedback Reference Voltage	$T_A = 25^\circ\text{C}$ , no load $T_A = -40^\circ\text{C}$ to +85°C, no load	0.588 <b>0.585</b>	0.600 <b>0.600</b>	0.612 <b>0.615</b>	V
$I_{FB}$	Feedback Bias Current			0.01	0.1	$\mu\text{A}$
	Enable Input High Voltage		1.5			V
	Enable Input Low Voltage				0.8	V
$I_{EN}$	Enable Bias Current	$V_{EN} = 5.5V$		0.01	0.1	$\mu\text{A}$
<b>Oscillator</b>						
$f_{SW}$	Switching Frequency		2.25	3	3.75	MHz
	Operating Duty Cycle				100	%
$T_{(ON)MIN}$	Minimum On-Time			70		ns
<b>Protection</b>						
$I_{LIM+}$	Positive Current Limit		<b>1.7</b>	<b>2.2</b>	<b>3</b>	A
	Thermal Shutdown Threshold			+145		°C
	Thermal Shutdown Hysteresis			40		°C
<b>Output Stage</b>						
$R_{DS(ON)P}$	PFET On Resistance	$I_{LX} = 50\text{mA}$ sourcing		150		m $\Omega$
$R_{DS(ON)N}$	NFET On Resistance	$I_{LX} = 50\text{mA}$ sinking		120		m $\Omega$
	LX Leakage Current	$V_{EN} = 0V$ , $V_{LX} = 0V$ or $V_{IN}$ , $V_{IN} = 5V$	-1		1	$\mu\text{A}$

## Output Voltage Selection for AOZ1615

The output voltage of the AOZ1615 can be programmed through the resistor network connected from  $V_{OUT}$  to FB to AGND. The resistor from FB to AGND should be 100k $\Omega$  to keep the current drawn through this network below the 6 $\mu$ A quiescent current level in PFM mode. The output voltage of the adjustable AOZ1615 parts ranges from 0.6V to 3.3V. The output voltage formula is:

$$V_{OUT} = V_{FB} \left( \frac{R1}{R2} + 1 \right)$$

where;

$V_{OUT}$  = Output Voltage (V)

$V_{FB}$  = Feedback Voltage (0.6V typical)

R1 = Feedback Resistor from  $V_{OUT}$  to FB ( $\Omega$ )

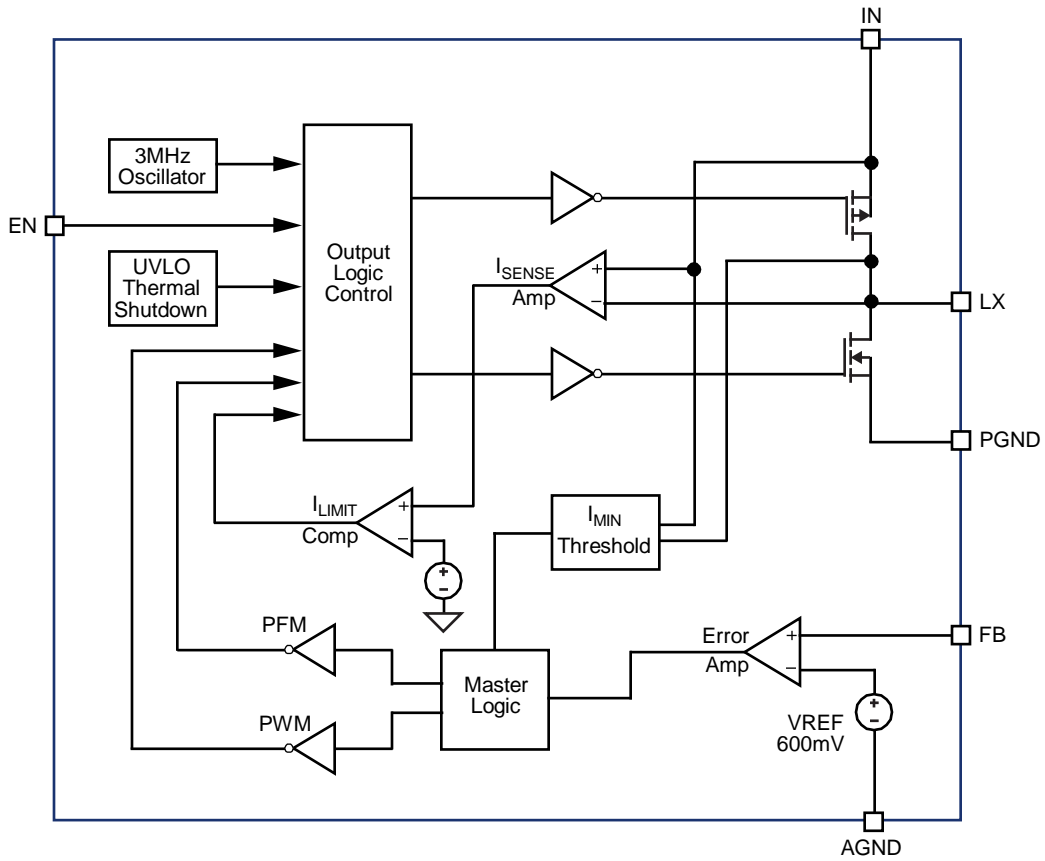
R2 = Feedback Resistor from FB to AGND ( $\Omega$ )

A 10pF bypass capacitor C5 on the evaluation board, in parallel with the feedback resistor from  $V_{OUT}$  to FB is chosen for increased stability throughout the voltage range.

**Table 1. Output Voltage Resistor Selection Table for Various  $V_{OUT}$  Voltages**

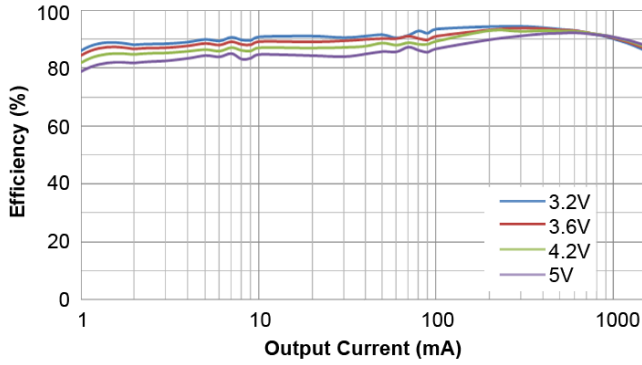
$V_{OUT}$ (V)	R1 (k $\Omega$ )	R2 (k $\Omega$ )	L ( $\mu$ H)	C <sub>IN</sub> ( $\mu$ F)	C <sub>OUT</sub> ( $\mu$ F)	C5 (pF)
1.1	83	100	1	10	22	10
1.2	100	100	1	10	22	10
1.3	117	100	1	10	10	10
1.5	150	100	1	10	10	10
1.6	167	100	1	10	10	10
1.7	183	100	1	10	10	10
1.8	200	100	1	10	10	10
1.875	213	100	1	10	10	10
2.5	317	100	1	10	10	10
2.8	367	100	1	10	10	10
3.3	450	100	1	10	10	10

Functional Block

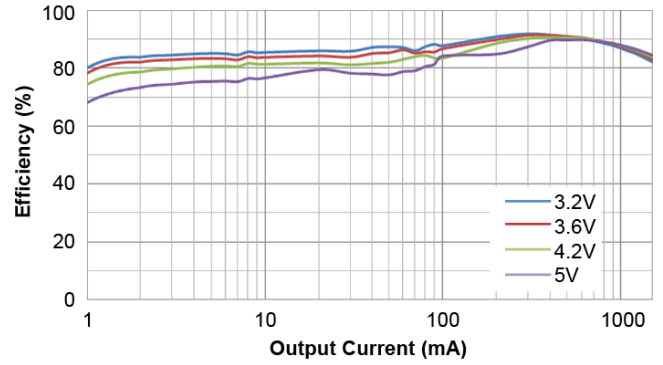


## Typical Performance Characteristics

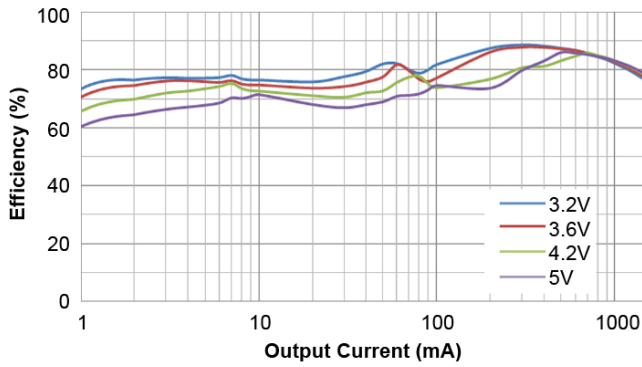
Efficiency vs. Output Current  
( $V_{OUT} = 2.5V$ ,  $L = 1.0\mu H$ )



Efficiency vs. Output Current  
( $V_{OUT} = 1.8V$ ,  $L = 1.0\mu H$ )

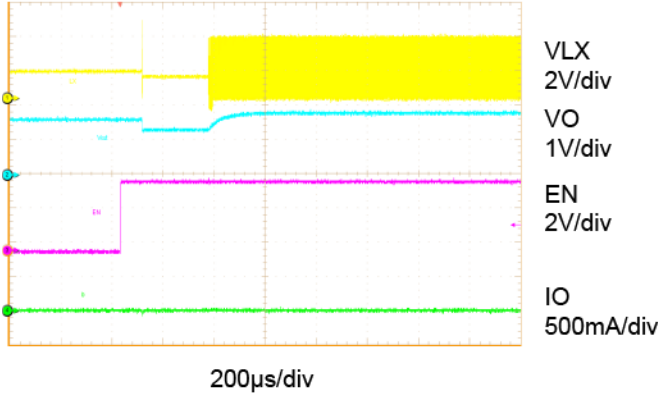


Efficiency vs. Output Current  
( $V_{OUT} = 1.2V$ ,  $L = 1.0\mu H$ )

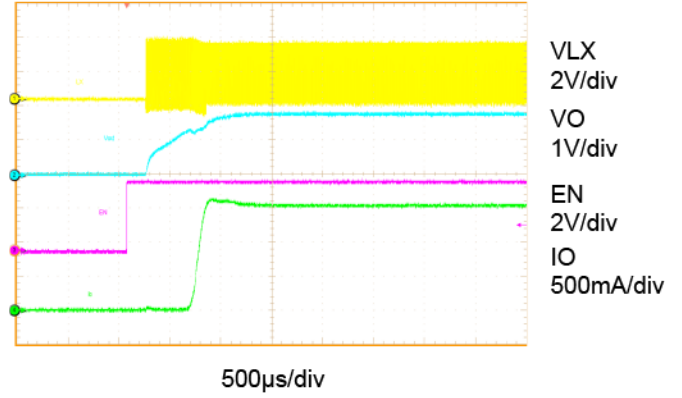


Typical Performance Characteristics (continued)

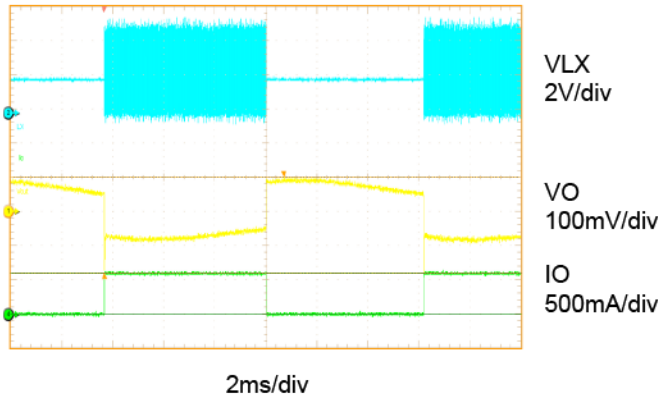
**Start Up**  
( $V_{OUT} = 1.8V$ , No Load, Prebias)



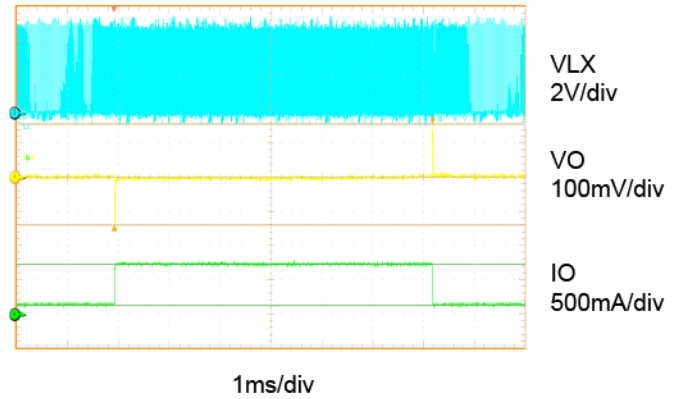
**Start Up**  
( $V_{OUT} = 1.8V$ ,  $I_{OUT} = 1500mA$ )



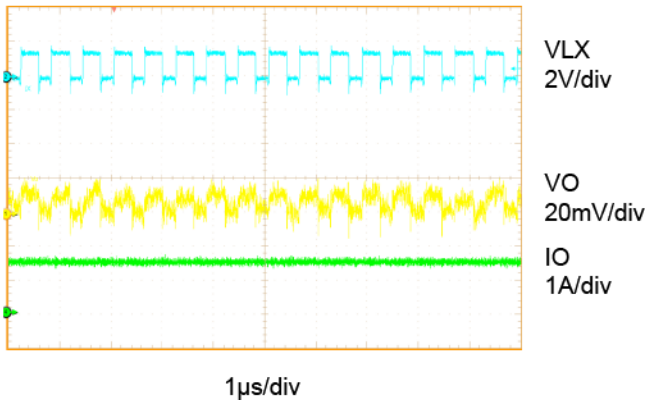
**Load Transient Response**  
 $V_{OUT} = 1.8V$  (0.5mA to 600mA)



**Load Transient Response**  
 $V_{OUT} = 1.8V$  (100mA to 700mA)



**Steady State PWM Mode**  
( $V_{OUT} = 1.8V$ ,  $I_{OUT} = 1500mA$ )



## Application Information

The AOZ1615 has a patented light load mode architecture which allows up to 85% efficiency at 1mA load currents, enabling longer standby times in battery operated systems.

The AOZ1615 is a high efficiency step down DC-DC buck converter that operates typically at 3MHz fixed Pulse Width Modulation (PWM) at medium to heavy load currents. The AOZ1615 can deliver a constant voltage from a single Li-Ion battery with an input voltage range from 2.5V to 5.5V. By using voltage mode architecture with synchronous rectification, the AOZ1615 has the ability to deliver up to 1.5A of continuous current depending on the input voltage, output voltage, ambient temperature and inductor chosen.

There are two modes of operations depending on the current consumption, PFM (Pulse Frequency Modulation) and PWM (Pulse Width Modulation). For ultra-low current, the device operates in the PFM mode to obtain high efficiency that is characteristic of the PFM mode. The device operates in the PWM mode when the output current exceeds the load current of approximately 100mA or higher.

Additional features include under voltage lockout, over current protection, thermal shutdown and soft-start.

### Inductor Selection

There are two main considerations when choosing an inductor; the inductor should not saturate and the inductor current ripple should be small enough to achieve the desired output voltage ripple. A 1µH inductor with a saturation current of at least 2A is recommended for the AOZ1615 full load application. For maximum efficiency, the inductor's resistance (DCR) should be as low as possible. For given input and output voltage, inductance and switching frequency together decide the inductor ripple current, which is:

$$\Delta I_L = \frac{V_{OUT}}{f \times L} \times \left(1 - \frac{V_{OUT}}{V_{IN}}\right)$$

The peak inductor current is:

$$I_{PEAK} = I_{OUT} + \frac{\Delta I_L}{2}$$

High inductance gives low inductor ripple current but requires a larger size inductor to avoid saturation. Low ripple current reduces inductor core losses. It also reduces RMS current through inductor and switches, which results in less conduction loss. Usually, peak-to-peak ripple current on inductor is designed to be 20% to 30% of output current.

When selecting the inductor, make sure that it is able to handle the peak current without saturation even at the highest operating temperature.

The inductor takes the highest current in a buck circuit. The conduction losses on an inductor need to be checked for thermal and efficiency requirements.

Surface mount inductors in different shapes and styles are available from Coilcraft, Elytone and Murata. Shielded inductors are small and radiate less EMI noise, but they cost more than unshielded inductors. The choice depends on EMI requirement, price and size.

### Input Capacitor

The input capacitor must be connected to the VIN and PGND pins of AOZ1615 to maintain steady input voltage and filter out the pulsing input current. The voltage rating of input capacitor must be greater than maximum input voltage plus ripple voltage. For greater capacitor performance, the working capacitance voltage should be twice  $V_{IN}$ .

The input ripple voltage can be approximated by using the equation below:

$$\Delta V_{IN} = \frac{I_{OUT}}{f \times C_{IN}} \times \left(1 - \frac{V_{OUT}}{V_{IN}}\right) \times \frac{V_{OUT}}{V_{IN}}$$

Since the input current is discontinuous in a buck converter, the current stress on the input capacitor is another concern when selecting the capacitor. For a buck circuit, the RMS value of input capacitor current can be calculated by:

$$I_{CIN\_RMS} = I_{OUT} \times \sqrt{\frac{V_{OUT}}{V_{IN}} \left(1 - \frac{V_{OUT}}{V_{IN}}\right)}$$

if we let  $m$  equal the conversion ratio:

$$\frac{V_{OUT}}{V_{IN}} = m$$

The relationship between the input capacitor RMS current and voltage conversion ratio is calculated and shown below in Figure 1. It can be seen that when  $V_{OUT}$  is half of  $V_{IN}$ ,  $C_{IN}$  is under the worst current stress. The worst current stress on  $C_{IN}$  is  $0.5 \times I_{OUT}$ .



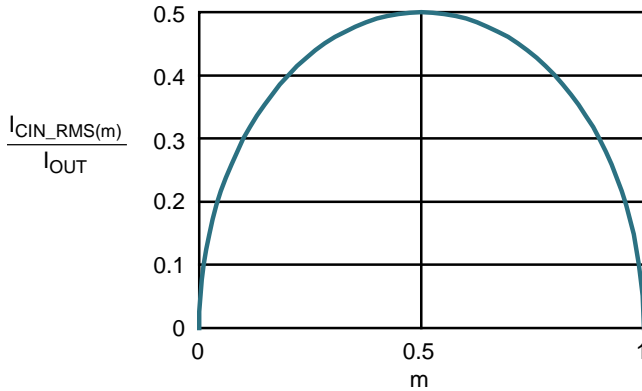


Figure 1.  $I_{CIN}$  vs. Voltage Conversion Ratio

For reliable operation and best performance, the input capacitors must have current rating higher than  $I_{CIN\_RMS}$  at worst operating conditions. Ceramic capacitors are preferred for input capacitors because of their low ESR and high current rating. When selecting ceramic capacitors, X5R or X7R type dielectric ceramic capacitors should be used for their better temperature and voltage characteristics. Note that the ripple current rating from capacitor manufactures, are based on certain amount of life time. Further de-rating may be necessary in practical design.

### Output Capacitor

The output capacitor is selected based on the DC output voltage rating, output ripple voltage specification and ripple current rating.

The selected output capacitor must have a higher rated voltage specification than the maximum desired output voltage including ripple. De-rating needs to be considered for long term reliability.

Output ripple voltage specification is another important factor for selecting the output capacitor. In a buck converter circuit, output ripple voltage is determined by inductor value, switching frequency, output capacitor value and ESR. It can be calculated by:

$$\Delta V_O = \Delta I_L \times \left( ESR_{CO} + \frac{1}{8 \times f \times C_O} \right)$$

where,

$C_O$  is output capacitor value and

$ESR_{CO}$  is the Equivalent Series Resistor of output capacitor.

When low ESR ceramic capacitor is used as output capacitor, the impedance of the capacitor at the

switching frequency dominates. Output ripple is mainly caused by capacitor value and inductor ripple current. The output ripple voltage calculation can be simplified to:

$$\Delta V_O = \Delta I_L \times \frac{1}{8 \times f \times C_O}$$

If the impedance of ESR at switching frequency dominates, the output ripple voltage is mainly decided by capacitor ESR and inductor ripple current. The output ripple voltage calculation can be further simplified to:

$$\Delta V_O = \Delta I_L \times ESR_{CO}$$

For lower output ripple voltage across the entire operating temperature range, X5R or X7R dielectric type of ceramic, or other low ESR tantalum are recommended to be used as output capacitors.

In a buck converter, output capacitor current is continuous. The RMS current of the output capacitor is decided by the peak-to-peak inductor ripple current. It can be calculated by:

$$I_{CO\_RMS} = \frac{\Delta I_L}{\sqrt{12}}$$

Usually, the ripple current rating of the output capacitor is a smaller issue because of the low current stress.

When the buck inductor is selected to be very small and the inductor ripple current is high, the output capacitor could be overstressed.

### Thermal Shutdown

In most applications the AOZ1615 does not dissipate much heat due to its high efficiency. But in an application where the AOZ1615 is running at high ambient temperature with low supply voltage and high duty cycle, the heat dissipated may exceed the maximum junction temperature. If the junction temperature reaches approximately 140°C (typical), the internal High Side and Low Side MOSFET switching is disabled until the temperature on the die has fallen sufficiently below 105°C. The device remains in thermal shutdown until the junction temperature falls below the thermal shutdown hysteresis.

### Undervoltage Lockout

The undervoltage lockout circuit prevents the device from malfunctioning at low input voltages and from excessive discharge of the battery by disabling the output stage of the converter. The AOZ1615 will resume normal operation when the input supply voltage rises high enough to properly function. The undervoltage lockout threshold is typically 2.3V.

### Soft Start

The AOZ1615 has a soft-start circuit that limits the inrush current during startup. Soft start is activated when EN goes from logic low to logic high after  $V_{IN}$  reaches 2.3V.

### Over Current Protection (OCP)

The sensed inductor current signal is also used for over current protection. Since the AOZ1615 employs peak current mode control, the COMP voltage is proportional to the peak inductor current. The COMP voltage is limited to be between 0.4V and 2.5V internally. The peak inductor current is automatically limited cycle-by-cycle.

When the output is shorted to ground under fault conditions, the VFB is lower than 0.425V, the high side switch will turn off, then AOZ1615 will initiate a soft start.

### Enable

The EN pin of the AOZ1615 is active high. Connect the EN pin to VIN if the enable function is not used, pulling it to ground will disable the AOZ1615. Do not leave it open. The voltage on EN must be above 2V to enable the AOZ1615. When voltage falls below 0.6V, the AOZ1615 is disabled. If an application circuit requires the AOZ1615 to be disabled, an open drain or open collector circuit should be used to interface with the EN pin.

### Low Drop Out Operation

The AOZ1615 can operate at 100% duty cycle. In this state, the high side p-channel MOSFET is always on. This allows the output to follow the input voltage as it drops below the regulation voltage.

### Thermal management and layout consideration

In the AOZ1615 buck regulator circuit, high pulsing current flows through two circuit loops. The first loop starts from the input capacitors, to the VIN pin, to the LX pin, to the filter inductor, to the output capacitor and load, and then returns to the input capacitor through ground. Current flows in the first loop when the high side switch is on. The second loop starts from inductor, to the output capacitors and load, to the low side N-MOSFET. Current flows in the second loop when the low side N-MOSFET is on.

In PCB layout, minimizing the two loops area reduces the noise of the circuit and improves efficiency. A ground plane is strongly recommended to connect the input and output capacitors, as well as the PGND pin of the AOZ1615.

In the AOZ1615 buck regulator circuit, the major power dissipating components are the AOZ1615 and the output inductor. The total power dissipation of converter circuit can be measured by input power minus output power.

$$P_{total\_loss} = V_{IN} \times I_{IN} - V_O \times I_O$$

The power dissipation of the inductor can be approximately calculated by output current and DCR of inductor.

$$P_{inductor\_loss} = I_O^2 \times R_{inductor} \times 1.1$$

The actual junction temperature can be calculated with power dissipation in the AOZ1615 and thermal impedance from junction to ambient.

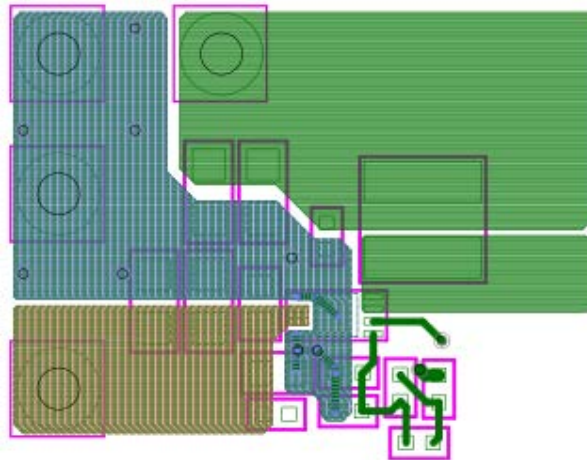
$$T_{junction} = (P_{total\_loss} - P_{inductor\_loss}) \times \Theta_{JA}$$

The maximum junction temperature of AOZ1615 is 140°C, which limits the maximum load current capability. Please see the thermal de-rating curves for maximum load current of the AOZ1615 under different ambient temperature.

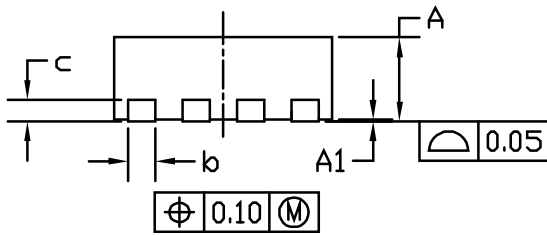
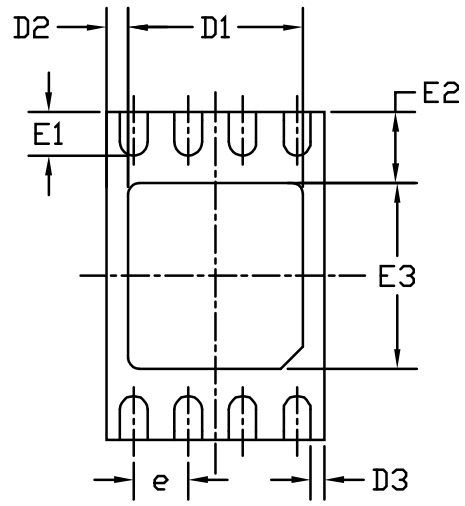
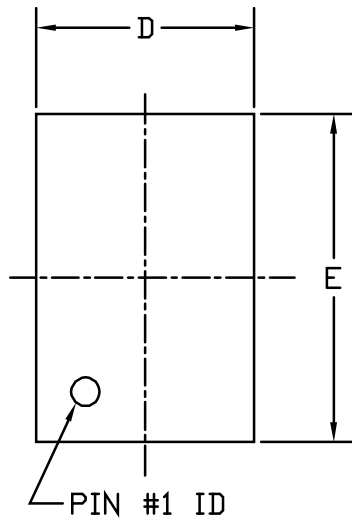
The thermal performance of the AOZ1615 is strongly affected by the PCB layout. Extra care should be taken by users during design process to ensure that the IC will operate under the recommended environmental conditions.

The AOZ1615 is an exposed pad DFN-8 package. Several layout tips are listed below for the best electric and thermal performance.

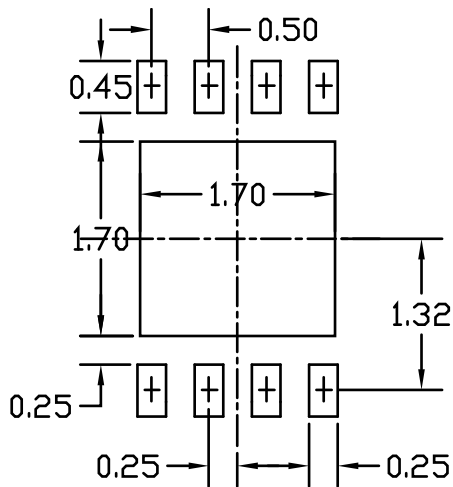
1. The exposed pad is connected to PGND. Connect a large copper plane to this pad to help thermal dissipation.
2. Do not use thermal relief connection from the VIN pin and the PGND pin. Pour a maximized copper area to the PGND pin and the VIN pin to help thermal dissipation.
3. Input capacitor should be connected as close as possible to the VIN pin and the PGND pin. For optimal performance of the device, place bulk capacitor and de-coupling capacitor no further than 50mils from the device.
4. A ground plane is preferred. If a ground plane is not used, separate PGND from AGND and connect them only at one point to avoid the PGND pin noise coupling to the AGND pin.
5. Make the current trace from LX pin to L to C<sub>O</sub> to PGND as short as possible.
6. Pour copper planes on all unused board area and connect them to stable DC nodes, like VIN, GND or VOUT.
7. Keep sensitive signal traces away from the LX pin.



Package Dimensions, DFN 2x3, 8 Lead EP1\_S



RECOMMENDED LAND PATTERN



UNIT: mm

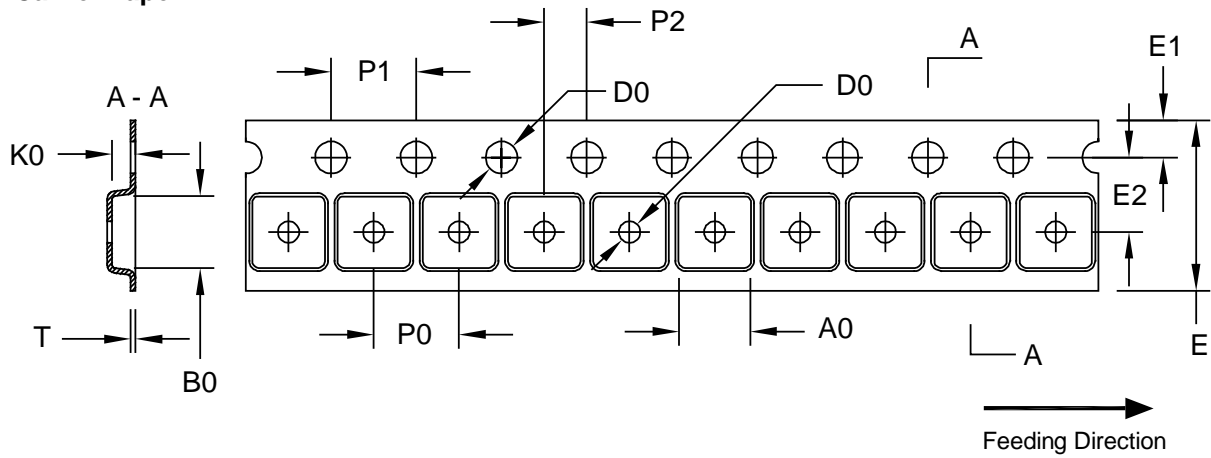
NOTE

1. CONTROLLING DIMENSION IS MILLIMETER. CONVERTED INCH DIMENSIONS ARE NOT NECESSARILY EXACT.

Symbols	Dimensions in millimeters			Dimensions in inches		
	Min.	Nom.	Max.	Min.	Nom.	Max.
A	0.70	0.75	0.80	0.028	0.030	0.031
A1	--	--	0.05	--	--	0.002
b	0.20	0.25	0.30	0.008	0.010	0.012
c	0.195	0.203	0.211	0.0076	0.008	0.0083
D	2.00 BSC			0.079 BSC		
D1	1.55	1.60	1.65	0.061	0.063	0.065
D2	0.15	0.20	0.25	0.006	0.008	0.010
D3	0.125 BSC			0.005 BSC		
E	3.00 BSC			0.118 BSC		
E1	0.35	0.40	0.45	0.014	0.016	0.018
E2	0.60	0.65	0.70	0.024	0.026	0.028
E3	1.65	1.70	1.75	0.065	0.067	0.069
e	0.50 BSC			0.002 BSC		

### Tape and Reel Dimensions, DFN 2x3, 8 Lead EP1\_S

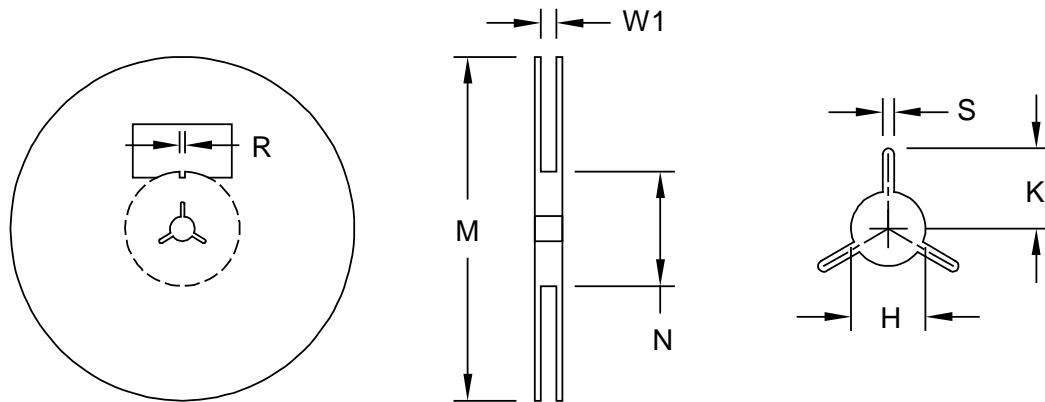
#### Carrier Tape



UNIT: mm

Package	A0	B0	K0	D0	D1	E	E1	E2	P0	P1	P2	T
DFN 2X3 (8mm)	3.35 ±0.10	3.20 ±0.10	1.10 ±0.10	1.50 +0.10 -0.00	1.00 +0.25 -0.00	8.00 +0.30 -0.10	1.75 ±0.10	3.50 ±0.05	4.00 ±0.10	4.00 ±0.10	2.00 ±0.05	0.23 ±0.020

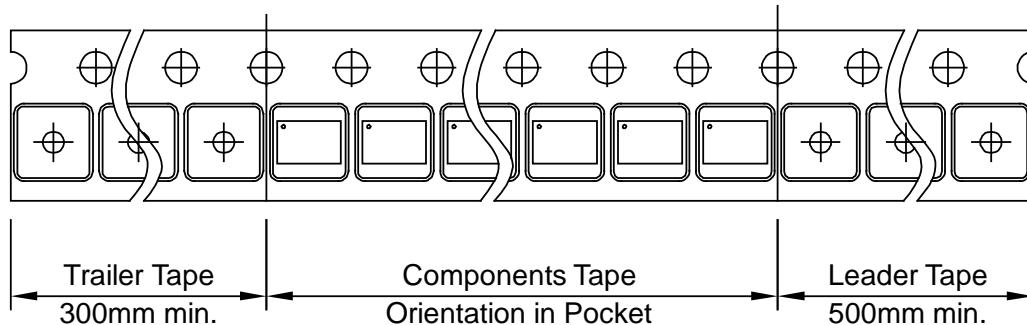
#### Reel



UNIT: mm

Tape Size	Reel Size	M	N	W1	H	S	K	R
8mm	∅180	∅180.0 ±0.50	60.0 ±0.50	8.4 +1.5 -0	13.0 ±0.20	1.5 min.	13.5 min.	3.0 ±0.50

#### Leader/Trailer and Orientation



This datasheet contains preliminary data; supplementary data may be published at a later date.  
Alpha and Omega Semiconductor reserves the right to make changes at any time without notice.

#### LIFE SUPPORT POLICY

ALPHA & OMEGA SEMICONDUCTOR PRODUCTS ARE NOT AUTHORIZED FOR USE AS CRITICAL COMPONENTS IN LIFE SUPPORT DEVICES OR SYSTEMS.

As used herein:

1. Life support devices or systems are devices or systems which, (a) are intended for surgical implant into the body or (b) support or sustain life, and (c) whose failure to perform when properly used in accordance with instructions for use provided in the labeling, can be reasonably expected to result in a significant injury of the user.
2. A critical component in any component of a life support, device, or system whose failure to perform can be reasonably expected to cause the failure of the life support device or system, or to affect its safety or effectiveness.

## X-ON Electronics

Largest Supplier of Electrical and Electronic Components

*Click to view similar products for [Switching Voltage Regulators](#) category:*

*Click to view products by [Alpha & Omega](#) manufacturer:*

Other Similar products are found below :

[FAN53610AUC33X](#) [FAN53611AUC123X](#) [FAN48610BUC33X](#) [FAN48610BUC45X](#) [FAN48617UC50X](#) [R3](#) [430464BB](#) [KE177614](#)  
[FAN53611AUC12X](#) [MAX809TTR](#) [NCV891234MW50R2G](#) [NCP81103MNTXG](#) [NCP81203PMNTXG](#) [NCP81208MNTXG](#)  
[NCP81109GMNTXG](#) [SCY1751FCCT1G](#) [NCP81109JMNTXG](#) [AP3409ADNTR-G1](#) [NCP81241MNTXG](#) [LTM8064IY](#) [LT8315EFE#TRPBF](#)  
[LTM4664EY#PBF](#) [NCV1077CSTBT3G](#) [XCL207A123CR-G](#) [MPM54304GMN-0002](#) [MPM54304GMN-0004](#) [AP62300Z6-7](#) [DA9121-B0V76](#)  
[LT8636JV#PBF](#) [MP8757GL-P](#) [MIC23356YFT-TR](#) [LD8116CGL](#) [HG2269M/TR](#) [OB2269](#) [XD3526](#) [U6215B](#) [U6620S](#) [LTC3412IFE](#)  
[LT1425IS](#) [MAX25203BATJA/VY+](#) [MAX77874CEWM+](#) [XC9236D08CER-G](#) [ISL95338IRTZ](#) [MP3416GJ-P](#) [MP5461GC-Z](#) [MPQ4590GS-Z](#)  
[MAX38640BENT18+T](#) [MAX77511AEWB+](#) [MAX20406AFOD/VY+](#) [LTM4670IY#PBF](#)