

Bending Detection Sensor




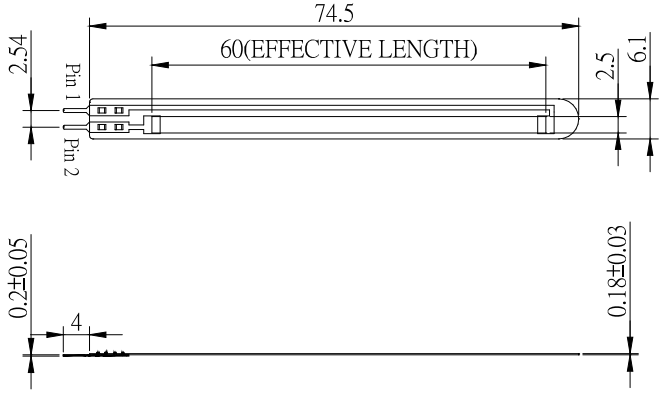
60mm Effective Length

Application

✓ Rehabilitation, Gaming and many applications.

Feature

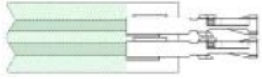
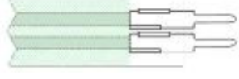

- ✓ Thinner thickness, unaffected by pressure
- ✓ High-resolution and durable
- ✓ One-way bending detection, and can detect which side is bent

Order Code	Outline Drawing
<p>MB060-N-221-A02</p> 	

SPECIFICATION

MODEL	MB060-N-221-A02
ANGLE RANGE	0° ~ 180°
RESOLUTION	1°
LIFE CYCLE	>1 Million
RESPONSE TIME	< 1ms
OPERATING TEMP	-30° ~ 80°
POWER RATING	0.5 Watt max. @25°C
EFFECTIVE LENGTH	60mm

CONNECTOR OPTIONS

<p>Female Contacts</p> 	<p>Solder Tabs (pin)</p> 	<p>Female Contact with Housing</p> 
--	--	--

Design and specifications presented here are for the standard parts only. Please kindly contact us for your special requests and ask for the current technical specifications before purchase and/or use.

X-ON Electronics

Largest Supplier of Electrical and Electronic Components

Click to view similar products for [Board Mount Motion & Position Sensors](#) category:

Click to view products by [Alpha Taiwan](#) manufacturer:

Other Similar products are found below :

[6SS4](#) [XL-10043](#) [F02008062](#) [9970-090-9J-SA](#) [AS5270B-HMFM](#) [IPS2200BI1W](#) [G-MRCO-057](#) [RD602C003A](#) [RDC50C001A](#) [RD602B004A](#)
[RD6R1A0019](#) [RD712A029C](#) [MB060-N-221-A02](#) [MB090-N-221-A02](#) [IIM-46230](#) [USEQMSKL221600](#) [IIM-46234](#) [EVW-ADF001B14](#)
[MLX90316KDC-BDG-100-RE](#) [AMN11111](#) [AMN31111](#) [AMN34112](#) [AMN23111](#) [SV03A103AEA01R00](#) [EKMB1303111K](#) [EKMB1293112](#)
[A1324LLHLTT](#) [RBS130100](#) [RBS130200](#) [EKMB1305113K](#) [EKMB1105113](#) [EKMB1205113](#) [OKY3062-2](#) [OKY3062-4](#) [OKY3062-5](#)
[OKY3063](#) [OKY3221](#) [OKY3226](#) [OKY3227](#) [OKY3230](#) [OKY3231](#) [OKY3231-1](#) [OKY3231-2](#) [OKY3231-3](#) [OKY3231-4](#) [OKY3231-5](#)
[OKY3231-6](#) [OKY3231-8](#) [OKY3235](#) [OKY3238](#)