

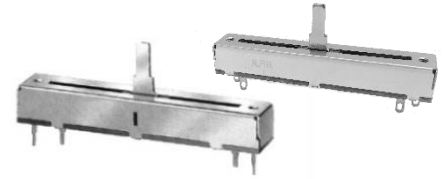
## Normal Slide Type

### Application

- ✓ Audio, Home appliance, Lighting control, etc.

### Feature

- ✓ Smooth slide feeling



### ■Specification

Travel Distance	45mm , 60mm
Insulation Resistance	100 MΩ Min. at 500V DC
Dielectric Strength	500V AC , 1 minute
Operating Temperature Range	-10 °C~70°C
Operating Force	50~350 gf.cm
Sliding Life	15,000 cycles

### ■How to order

RA6020F-20 – 15C2- B10K

[Model](#)

[Lever Type](#)

#### Taper and Resistance Value

Ex:

Order Code	Taper	Resistance Value
A100K	Log/A	100KΩ
B1M	Linear/B	1MΩ

Taper: A and B


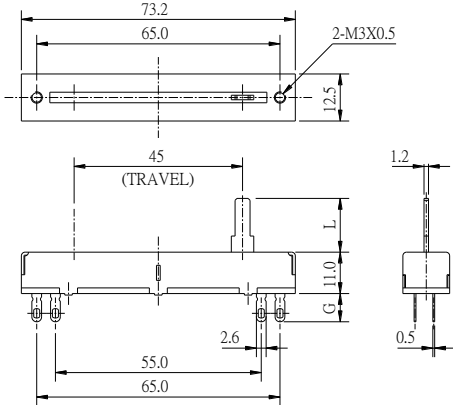

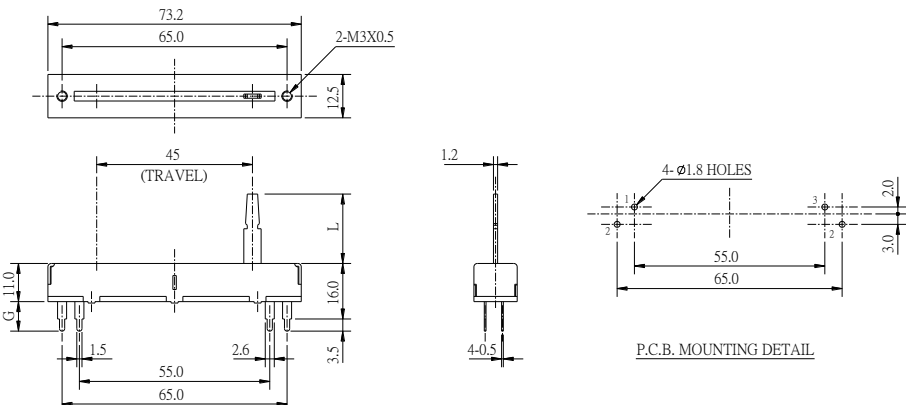
Resistance Value: 1KΩ to 500KΩ and 1MΩ

\*Contact us for other requirements.

## Normal Slide Type

### Model Description


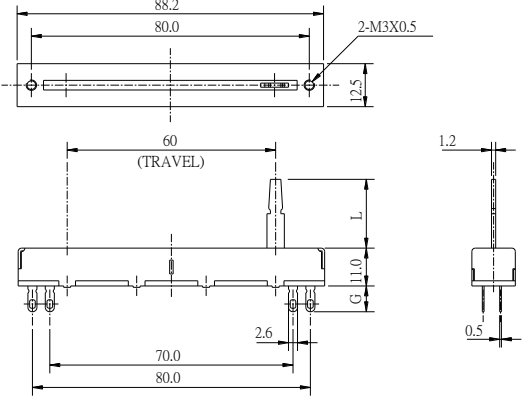

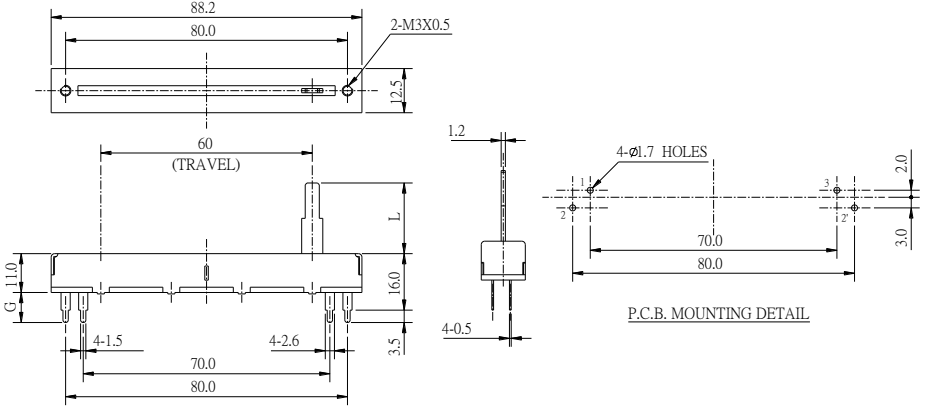
Model	Number of unit	Travel Distance	Type of Terminal
<a href="#">RA4520F-10</a>	Single Unit	45mm	Solder Lug
<a href="#">RA4520F-20</a>	Single Unit	45mm	PC board (vertical)
<a href="#">RA4520F-21</a>	Single Unit	45mm	PC board (vertical)
<a href="#">RA6020F-10</a>	Single Unit	60mm	Solder Lug
<a href="#">RA6020F-20</a>	Single Unit	60mm	PC board (vertical)
<a href="#">RA6020F-21</a>	Single Unit	60mm	PC board (vertical)

Order Code	Outline Drawing
RA4520F-10 	
RA4520F-20 RA4520F-21 	

For dimension of G, please refer to the below chart "[Type of Terminal](#)".

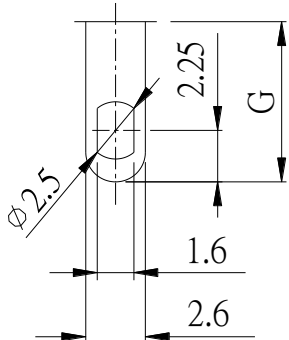
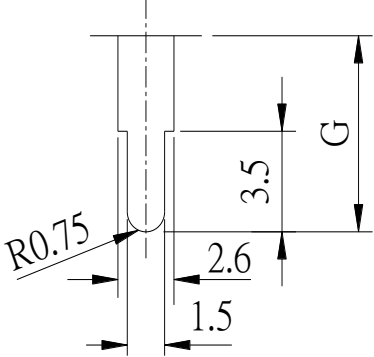
[Back to top](#)

## Normal Slide Type

Order Code	Outline Drawing
RA6020F-10 	
RA6020F-20 RA6020F-21 	

For dimension of G, please refer to the below chart "[Type of Terminal](#)".

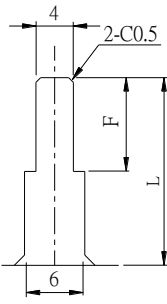
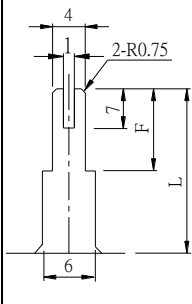
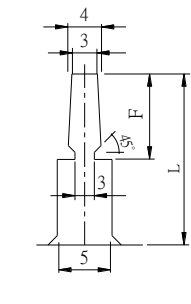
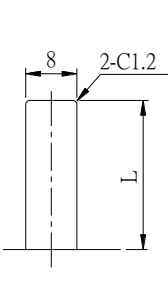
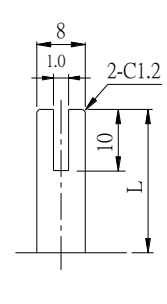
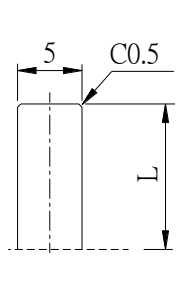
### ■Type of Terminal

Type	Solder Lug Type		PC Board Type	
	10	20	21	
Length (G)	7.5	8.5	7	
Dimensions				

[Back to top](#)

## Normal Slide Type

### ■ Lever Type

Model	RA□□20F Series										
Lever type	Metal Lever t1.2										
	C2		F2		D1		B1	E1		B2	
Dimensions											
Length (L)	F	10	7	10	10	10	10	15	20	10	
	L	15	10	15	15	20					

Design and specifications presented here are for the standard parts only. Please kindly contact us for your special requests and ask for the current technical specifications before purchase and/or use.

[Back to top](#)

## X-ON Electronics

Largest Supplier of Electrical and Electronic Components

*Click to view similar products for [Slide Potentiometers](#) category:*

*Click to view products by [Alpha Taiwan](#) manufacturer:*

Other Similar products are found below :

[M22](#) [SS-4928](#) [RSA0K11A901L](#) [RA6020F-10-20D1-B50K](#) [RA4520F-10-20D1-B50K](#) [X22205CAAF](#) [RSA0N11B9A03](#) [448XC2103BDN](#)  
[K22208EAAG](#) [PS15-10PC1BR10K](#) [PT1A-50-FR-10K-M6](#) [ASE1D](#) [ASE1E](#) [ASE2D](#) [MFP113D](#) [MFP130](#) [MFP1323](#) [MFP1424](#) [MFP161D](#)  
[MFP220](#) [MFP2220R](#) [MFP231P](#) [MFP261N](#) [MMP1010DRA1](#) [MFP120](#) [MFP 130 R](#) [MFP1323R](#) [MFP140](#) [MFP140-R](#) [MFP201N](#) [MFP 211-N](#)  
[MFP230](#) [MFP2323R](#) [CDE23N-60-B10K](#) [CDE23N-60-B1K](#) [CDE23N-60-B50K](#) [MMP1010D-RA](#) [MMP121](#) [MMP421-R](#) [MMS224](#)  
[1825160-1](#) [1825161-2](#) [1825257-1](#) [1825259-2](#) [1825289-6](#) [1825261-2](#) [MMS124](#) [MMP134-R](#) [MMP 1010 D-1](#) [1825265-2](#)