

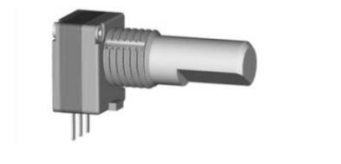
7mm Rotary Type, Metal Shaft Series

Application

- ✓ Audio, Home appliance, Automotive, Communication

Feature

- ✓ Miniature Design



■Specification

Total Rotational Angle	300±5°
Maximum Operating Voltage	50V A.C, 10V D.C
Insulation Resistance	100MΩ at DC250V
Dielectric Strength	A.C 300V for 1 minute
Rotational Torque	10-150 gf.cm
Click Torque	15-150 gf.cm
Rotational Stop Strength of the Shaft	2.5 kgf.cm
Push/Pull Strength of the Shaft	10 kgf.cm
Rotation Life	15,000 cycles

■How to order

RD701F-20B1 – 15F – B100K - 0C

[Model](#)

[Metal Shaft Type](#)

Taper and Resistance Value

Order Code	Taper	Resistance Value
A100K	Log/A	100KΩ
B1M	Linear/B	1MΩ
C500K	Rev-log/C	100KΩ

Taper: A, B and C

Resistance Value: 1KΩ to 500KΩ and 1MΩ

*Contact us for other requirements.

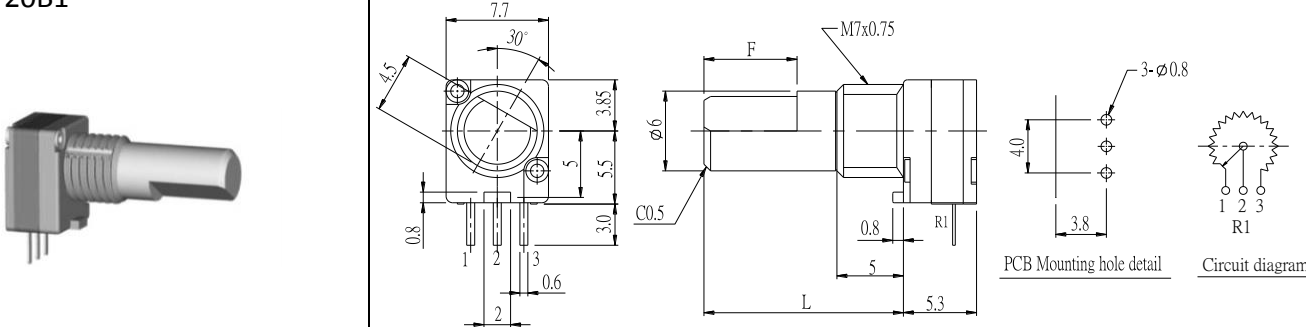
Number of Click

Order code	Description
Blank	No click
0C	With center click

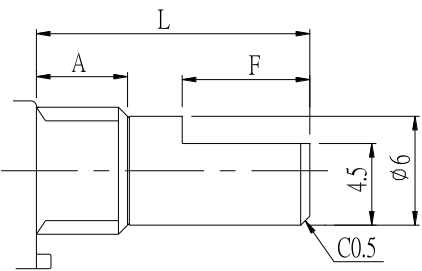
7mm Rotary Type, Metal Shaft Series

Model Description

Model	Number of Unit	Switch Function	Terminal Type	With Sleeve or Bushing	Rotational Angle
RD701F-20B1	Single unit	N/A	Horizontal	Metal bushing	300°±5°

Order Code	Outline Drawing
RD701F-20B1	 <p>Shaft show in full C.C.W. position</p>

Metal Shaft Type

<p>F Type</p> 	<p>A : 5mm</p> <table border="1" data-bbox="869 1288 1204 1433"> <thead> <tr> <th>Order Code</th> <th>L</th> <th>F</th> </tr> </thead> <tbody> <tr> <td>12.5F</td> <td>12.5</td> <td>6</td> </tr> <tr> <td>15F</td> <td>15</td> <td>7</td> </tr> </tbody> </table>	Order Code	L	F	12.5F	12.5	6	15F	15	7
Order Code	L	F								
12.5F	12.5	6								
15F	15	7								

Design and specifications presented here are for the standard parts only. Please kindly contact us for your special requests and ask for the current technical specifications before purchase and/or use.

[Back to top](#)

X-ON Electronics

Largest Supplier of Electrical and Electronic Components

Click to view similar products for [Potentiometers](#) category:

Click to view products by [Alpha Taiwan](#) manufacturer:

Other Similar products are found below :

[58C2-2](#) [590SX1N32F103SS](#) [591SXJ48S252SC](#) [591SXP56S252SC](#) [591SXP56S503SC](#) [D31409](#) [70B1G048K502X-A](#) [70B1M032S502W](#)
[70B1N056S202W](#) [70B8N056F502W](#) [70J8N048S104U](#) [70L1N040P103W](#) [70L1N048P103X](#) [70L1N048S103W](#) [GA2L040S102UC](#)
[GA2L040S103UC](#) [GS1G044P103UA](#) [GS1N048P103UA](#) [GS1T032S103UA](#) [A43-1500](#) [A43-20K](#) [A47-200K](#) [A4720K](#) [RA20LASD251A](#)
[132-2-0-202](#) [RK14K1220-F25-C0-A103](#) [RK14K1220F25C0C104](#) [RK14K1220-F25-C1-B103](#) [14910FAGJSX10102KA](#)
[14910FBGLFY00103KA](#) [14910AABHSX10103KA](#) [14910FAGJSX10104KA](#) [152-01031](#) [C0342008 5K](#) [P270-109A](#) [J97589](#) [23M728](#)
[RV170F-10-15R1-B500K-0021](#) [RV8NAYS104A](#) [917523A](#) [A43-40](#) [A43-750](#) [A43S-5](#) [A47-15K](#) [A4750K](#) [SPPG048S103U](#)
[SPPG056P103U](#) [SWE-10](#) [GA2G040F103BA](#) [GS1G052F103UA-A](#)