

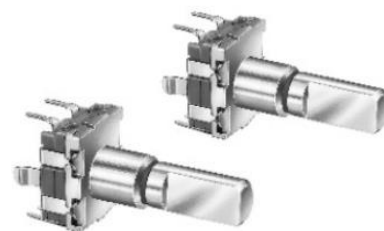
11mm Metal Shaft Rotary Encoder

Application

- ✓ Audio, Home appliance, Precision apparatus, Automotive, Communication, Industrial control, etc.

Feature

- ✓ Switch with self-return function



■Specification

Rotation Angle	80 °+10 °/-5 °
Rating Voltage	5V DC 10mA (I mA Min.)
Operating Temperature	-10 °C~70°C
Rotational Torque	30 ~ 300 gf.cm
Rotational Life	15,000 cycles (rotate ccw and rotate cw as 1 cycle)
Switch Circuit	S.P.S.T. (Push on)
Switch Stroke	0.5 mm
Switch Rating	16V DC 0.5A (1mA Min.)
Switch Operating Force	400±200 gf.cm
Switch Operating Life	20,000 cycles

■How to order

RE11RF – 40(D)N - 15F - OP

[Model](#)

Resolution

Order Code	Pulses	Detents
OP	0	0

[Shaft](#)

Terminal Type

Code	Terminal type	Push Switch
40	Vertical	Without switch
41	Vertical	With switch

Code	Bushing Type (D)	
B3	∅7mm	7mm

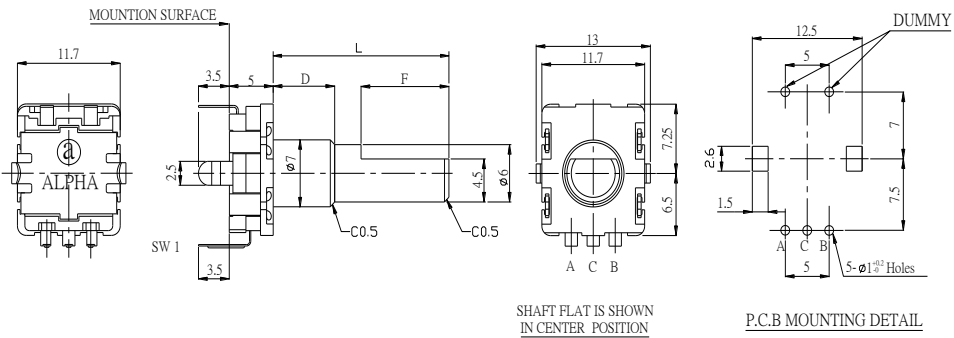
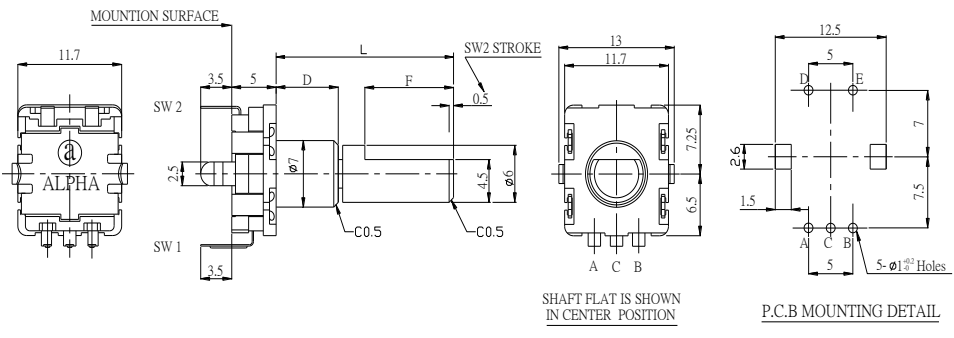
N means Without thread

11mm Metal Shaft Rotary Encoder

Model Description

Model	Terminal Type	Push Switch	Bushing Type (D)		Bushing Thread
RE11RF-40B3N	Vertical	Without switch	Ø7mm	7mm	Without thread
RE11RF-41B3N	Vertical	With switch	Ø7mm	7mm	Without thread

MOQ:10,000pcs for each specification/ Part number.

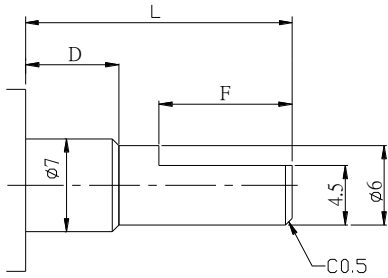
Order Code	Outline Drawing
RE11RF-40B3N (SW 1 with self-return function)	
RE11RF-41B3N (SW 1 with self-return function)	

[Back to top](#)

11mm Metal Shaft Rotary Encoder

■ Shaft and Bushing Dimensions

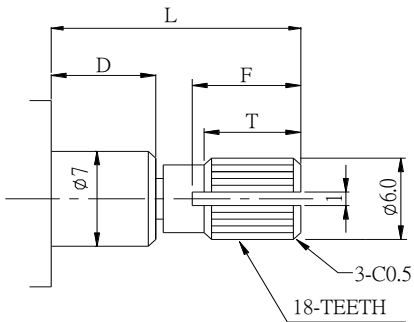
F Type



Without switch & With switch

D	7(B3)	7(B3)	7(B3)
L	15	20	25
F	6	10	12

K Type



D	7(B3)
L	20
F	7
T	6

Design and specifications presented here are for the standard parts only. Please kindly contact us for your special requests and ask for the current technical specifications before purchase and/or use.

[Back to top](#)

X-ON Electronics

Largest Supplier of Electrical and Electronic Components

Click to view similar products for [Encoders](#) category:

Click to view products by [Alpha Taiwan](#) manufacturer:

Other Similar products are found below :

[6-1393048-0](#) [6-1393048-5](#) [62B22-LP-030C](#) [63K25](#) [63K32](#) [63KS100](#) [63KS64](#) [63R100](#) [63R50-020](#) [63RS256-060](#) [700-09-36](#) [RE12D300-201-1](#) [1393047-3](#) [T101-5C2-111-M1](#) [T101-5C3-111-M1](#) [T101-5C4-111-M1](#) [385001M0439](#) [385001M0216](#) [V23401T8002B802](#) [E69-1E69DF10](#) [E69-FCA](#) [62B11-LP-100S](#) [62N11-P](#) [62S22-H9-120S](#) [62S30-L0-200C](#) [62V15-02-080S](#) [63K64](#) [63KS100-040](#) [63R64-050](#) [63RS64700-16-16](#) [V23401D3002B301](#) [3-1393048-1](#) [63KS128](#) [1-1879391-5](#) [GH65C11-N-SO](#) [62S15-M0-P](#) [63R64](#) [1393047-1](#) [E69-FCA02](#) [E69-FCA04](#) [E69-DF20](#) [E69-DF2](#) [63R50](#) [62F01-02-060S](#) [63RS50](#) [62B22-SPP-040S](#) [62B22-SPP-P](#) [62C1122-01-P](#)