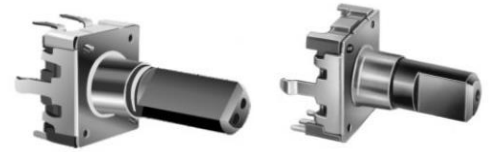


12mm Insulated Shaft Rotary Encoder

Application

- ✓ Audio, Home appliance, Precision apparatus, Automotive, Communication, Industrial control, etc.



Feature

- ✓ Incremental Output Signal Encoder

■ Specification

Rotation Angle	360° endless
Rating	5V DC 0.5mA
Operating Temperature	-10 °C~70 °C
Rotational Torque	30 ~ 150 gf.cm
Rotational Life	15,000 cycles (rotate 360° ccw and rotate 360° cw as 1 cycle)
Switch Circuit	S.P.S.T. (Push on)
Switch Stroke	0.5 mm
Switch Rating	5V DC 1mA
Switch Operating Force	200 ~ 460 gf.cm
Switch Operating Life	20,000 cycles

■ How to order

RE130F – 40 – 20F – 12P

Model

Resolution

Code	Model	Pulses	Detents
12P	RE130	12	12
24P	RE120	24	24

Shaft

Terminal Type

Code	Terminal type	Push Switch
40	Vertical	Without switch
41	Vertical	With switch


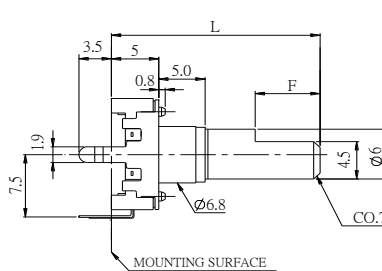
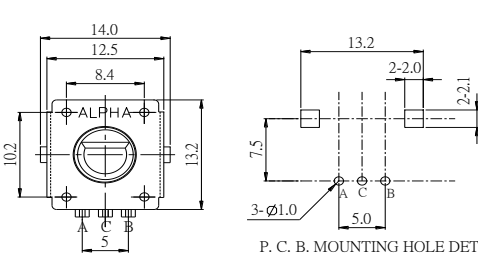

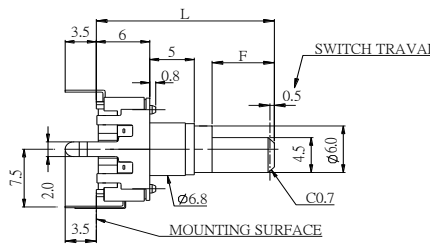
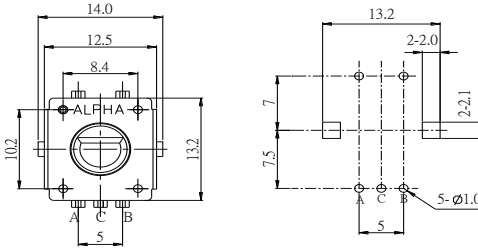

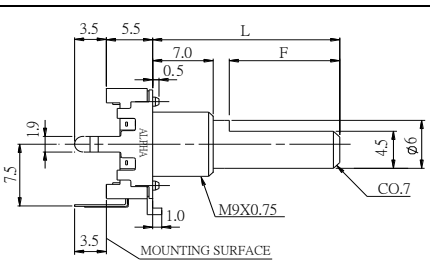
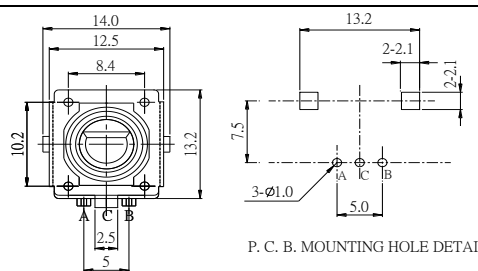
Code	Bushing Type (D)		Bushing Thread
None	∅6.8mm	5mm	Without thread
E3	∅9mm	7mm	With thread

E3 Just for Terminal code '40'

12mm Insulated Shaft Rotary Encoder

Model Description

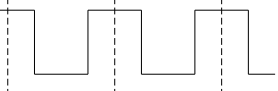
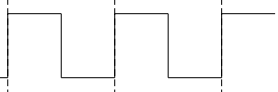
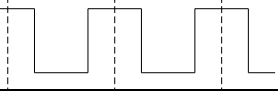
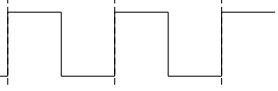
Model	Terminal Type	Push Switch	Bushing Type (D)		Bushing Thread
RE130F-40	Vertical	Without switch	Ø6.8mm	5mm	Without thread
RE120F-40	Vertical	Without switch	Ø6.8mm	5mm	Without thread
RE130F-41	Vertical	With switch	Ø6.8mm	5mm	Without thread
RE12CF-41	Vertical	With switch	Ø6.8mm	5mm	Without thread
RE130F-40E3	Vertical	Without switch	Ø9mm	7mm	With thread
RE120F-40E3	Vertical	Without switch	Ø9mm	7mm	With thread

Order Code	Outline Drawing																						
RE130F-40-(L)F-12P RE120F-40-(L)F-24P 	 <p>RE130F</p> <table border="1"> <tr> <td>L</td> <td>17.5</td> <td>20</td> <td>25</td> </tr> <tr> <td>F</td> <td>5</td> <td>7</td> <td>12</td> </tr> </table>  <p>RE120F</p> <table border="1"> <tr> <td>L</td> <td>17.5</td> <td>20</td> <td>22.5</td> <td>25</td> <td>30</td> </tr> <tr> <td>F</td> <td>5</td> <td>7</td> <td>7</td> <td>12</td> <td>12</td> </tr> </table>	L	17.5	20	25	F	5	7	12	L	17.5	20	22.5	25	30	F	5	7	7	12	12		
L	17.5	20	25																				
F	5	7	12																				
L	17.5	20	22.5	25	30																		
F	5	7	7	12	12																		
RE130F-41-(L)F-12P RE12CF-41-(L)F-24P 	 <p>RE130F</p> <table border="1"> <tr> <td>L</td> <td>17.5</td> <td>20</td> <td>25</td> <td>30</td> </tr> <tr> <td>F</td> <td>5</td> <td>7</td> <td>12</td> <td>12</td> </tr> </table>  <p>RE12CF</p> <table border="1"> <tr> <td>L</td> <td>17.5</td> <td>20</td> <td>22.5</td> <td>25</td> <td>30</td> </tr> <tr> <td>F</td> <td>5</td> <td>7</td> <td>7</td> <td>12</td> <td>12</td> </tr> </table>	L	17.5	20	25	30	F	5	7	12	12	L	17.5	20	22.5	25	30	F	5	7	7	12	12
L	17.5	20	25	30																			
F	5	7	12	12																			
L	17.5	20	22.5	25	30																		
F	5	7	7	12	12																		
RE130F-40E3-(L)F-12P RE120F-40E3-(L)F-24P 	 <p>RE130F</p> <table border="1"> <tr> <td>L</td> <td>15</td> <td>17.5</td> <td>20</td> <td>25</td> </tr> <tr> <td>F</td> <td>7</td> <td>7</td> <td>12</td> <td>12</td> </tr> </table>  <p>RE120F</p> <table border="1"> <tr> <td>L</td> <td>15</td> <td>17.5</td> <td>20</td> <td>25</td> </tr> <tr> <td>F</td> <td>7</td> <td>7</td> <td>12</td> <td>12</td> </tr> </table>	L	15	17.5	20	25	F	7	7	12	12	L	15	17.5	20	25	F	7	7	12	12		
L	15	17.5	20	25																			
F	7	7	12	12																			
L	15	17.5	20	25																			
F	7	7	12	12																			

[Back to top](#)

12mm Insulated Shaft Rotary Encoder

■Resolution and Output Signal

Model	Resolution (Pulses/Rotation)	Detent Number	Output Signal Format		
			Shaft Rotational Direction	Signal	Output
RE130	12/360°	12	C.W.	A (Terminal A-C)	
				B (Terminal B-C)	
RE120	24/360°	24	C.W.	A (Terminal A-C)	
				B (Terminal B-C)	

Design and specifications presented here are for the standard parts only. Please kindly contact us for your special requests and ask for the current technical specifications before purchase and/or use.

[Back to top](#)

X-ON Electronics

Largest Supplier of Electrical and Electronic Components

Click to view similar products for [Encoders](#) category:

Click to view products by [Alpha Taiwan](#) manufacturer:

Other Similar products are found below :

[6-1393048-0](#) [6-1393048-5](#) [62B22-LP-030C](#) [63K25](#) [63K32](#) [63KS100](#) [63KS64](#) [63R100](#) [63R50-020](#) [63RS256-060](#) [700-09-36](#) [RE12D300-201-1](#) [1393047-3](#) [ECW1J-C36-SE0/077L](#) [T101-5C2-111-M1](#) [T101-5C3-111-M1](#) [T101-5C4-111-M1](#) [385001M0439](#) [385001M0216](#)
[V23401T8002B802](#) [E69-1](#) [E69DF10](#) [E69-FCA](#) [62B11-LP-100S](#) [62B11-LPP-040C](#) [62N11-P](#) [62S22-H9-120S](#) [62S30-L0-200C](#)
[62V15-02-080S](#) [63K64](#) [63KS100-040](#) [63R64-050](#) [63RS64](#) [700-16-16](#) [V23401D3002B301](#) [3-1393048-1](#) [63KS128](#) [1-1879391-5](#) [GH65C11-N-SO](#) [62S15-M0-P](#) [63R64](#) [1393047-1](#) [E69-FCA02](#) [E69-FCA04](#) [E69-DF20](#) [E69-DF2](#) [63R50](#) [62F01-02-060S](#) [63RS50](#) [62B22-SPP-040S](#)