

16mm Insulated Shaft Rotary Encoder

Application

- ✓ Audio, Home appliance, Precision Apparatus, Automotive, Communication, Industrial Control, etc.



Feature

- ✓ Incremental Output Signal Encoder

■Specification

Rotation Angle	360° endless
Rating Voltage	5V DC 0.5mA
Operating Temperature	-10 °C~70 °C
Rotational Torque	50 ~ 200 gf.cm
Rotational Life	50,000 cycles (rotate 360° ccw and rotate 360° cw as 1 cycle)

■How to order

RE160F – 40(D) – 15A – 10P

Model

Terminal Type		
Code	Terminal type	Switch
40	Vertical	Without switch
Bushing Type (D)		
Code	Bushing Type (D)	
E3	∅9mm	7mm

Resolution


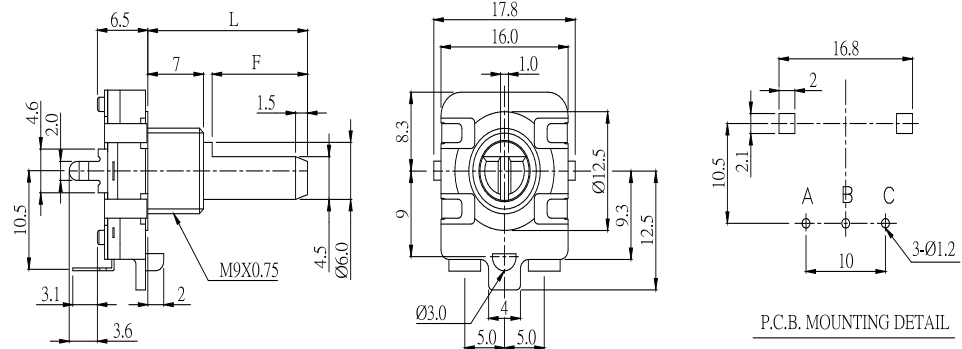
Code	Pulses	Detent
24P	24	24

Shaft

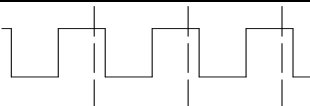
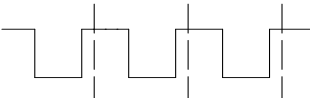
16mm Insulated Shaft Rotary Encoder

Model Description

Model	Terminal Type	Switch	Bushing Type (D)		Bushing Thread
RE160F-40E3	Vertical	Without Switch	Ø9mm	7mm	With thread

Order Code	Outline Drawing								
RE160F-40E3	  <table border="1" data-bbox="1152 1041 1497 1137"> <tr> <td>L</td> <td>15</td> <td>20</td> <td>25</td> </tr> <tr> <td>F</td> <td>7</td> <td>12</td> <td>12</td> </tr> </table>	L	15	20	25	F	7	12	12
L	15	20	25						
F	7	12	12						

Resolution and Output Signal

Model	Resolution (Pulses/Rotation)	Detent Number	Output Signal Format		
			Shaft Rotational Direction	Signal	Output
RE160F	24/360°	24	C.W.	A (Terminal A-C)	
				B (Terminal B-C)	

Design and specifications presented here are for the standard parts only. Please kindly contact us for your special requests and ask for the current technical specifications before purchase and/or use.

[Back to top](#)

X-ON Electronics

Largest Supplier of Electrical and Electronic Components

Click to view similar products for [Encoders](#) category:

Click to view products by [Alpha Taiwan](#) manufacturer:

Other Similar products are found below :

[6-1393048-0](#) [6-1393048-5](#) [62B22-LP-030C](#) [63K25](#) [63K32](#) [63KS100](#) [63KS64](#) [63R100](#) [63R50-020](#) [63RS256-060](#) [700-09-36](#) [RE12D300-201-1](#) [1393047-3](#) [T101-5C2-111-M1](#) [T101-5C3-111-M1](#) [T101-5C4-111-M1](#) [385001M0439](#) [385001M0216](#) [V23401T8002B802](#) [E69-1E69DF10](#) [E69-FCA](#) [62B11-LP-100S](#) [62N11-P](#) [62S22-H9-120S](#) [62S30-L0-200C](#) [62V15-02-080S](#) [63K64](#) [63KS100-040](#) [63R64-050](#) [63RS64700-16-16](#) [V23401D3002B301](#) [3-1393048-1](#) [63KS128](#) [1-1879391-5](#) [GH65C11-N-SO](#) [62S15-M0-P](#) [63R64](#) [1393047-1](#) [E69-FCA02](#) [E69-FCA04](#) [E69-DF20](#) [E69-DF2](#) [63R50](#) [62F01-02-060S](#) [63RS50](#) [62B22-SPP-040S](#) [62B22-SPP-P](#) [62C1122-01-P](#)