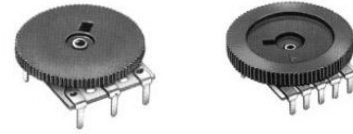


10mm Thin Micro Potentiometer

Application

- ✓ TV/Video, Audio, Home appliance, Musical Instruments, Industrial control



Feature

- ✓ Low-profile

■Specification

Rated Power	0.03W
Total Resistance Tolerance	±20%
Insulation Resistance	100MΩ min. at DC100V
Dielectric Strength	AC100V for 1 minute
Total Rotational Angle	270±5°
Rotational Torque	10-100 gf.cm
Rotation Life	10,000 cycles

■How to order

RV100F-30 – 6K3B - B10K – B301

[Model](#)

[Knob Type](#)

Taper and Resistance Value

Ex:

Order Code	Taper	Resistance Value
A100K	Audio/Log/A	100KΩ
B1M	Linear/B	1MΩ
C500K	Rev-log/C	500KΩ

Taper: A, B and C

Resistance Value: 1KΩ to 500KΩ and 1MΩ

*Contact us for other requirements.


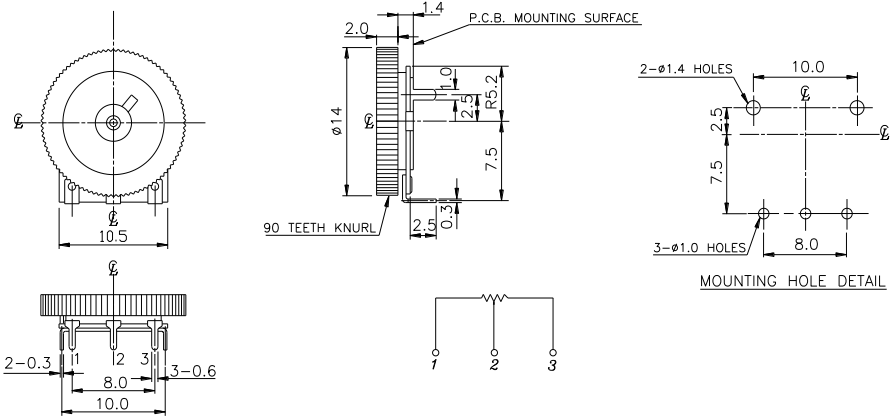

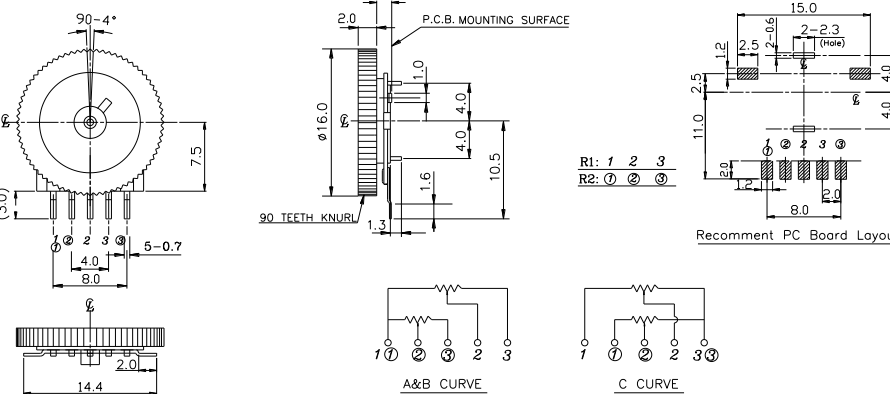

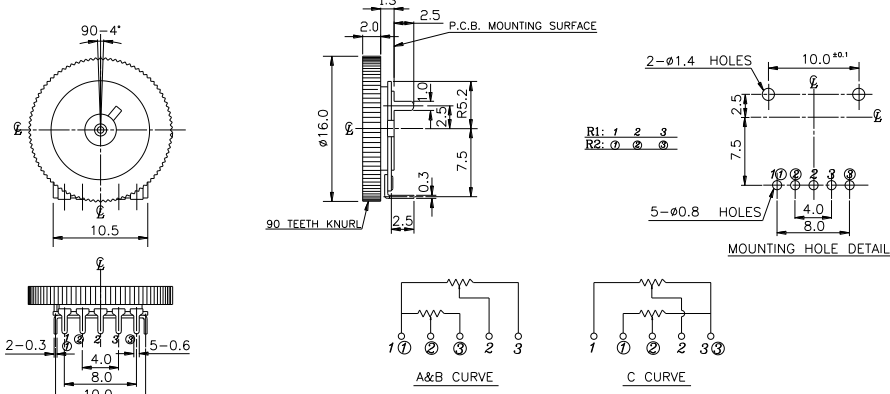
Knob

Order Code	Description
B309	With knob

10mm Thin Micro Potentiometer

Model Description

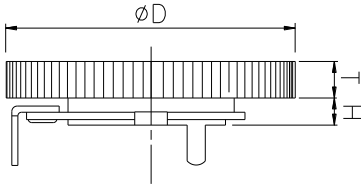
Model	Number of Unit	Terminal Type	Rotational Angle
RV100F-30	Single unit	Vertical	270°±5°
RV102F-20	Dual unit	Horizontal	270°±5°
RV102F-30	Dual unit	Vertical	270°±5°

Order Code	Outline Drawing
RV100F-30 	 <p>RV100F-30 outline drawing details: Front view shows a diameter of 10.5mm and a 90° knurl. Side view shows a height of 7.5mm and a 90° teeth knurl. Mounting hole detail shows two 1.4mm holes spaced 10.0mm apart and three 1.0mm holes spaced 8.0mm apart. Electrical symbols show a vertical potentiometer with terminals 1, 2, and 3.</p>
RV102F-20 	 <p>RV102F-20 outline drawing details: Front view shows a diameter of 16.0mm and a 90-4° knurl. Side view shows a height of 10.5mm and a 90° teeth knurl. Recommended PC board layout shows a 15.0mm diameter with two 2.3mm holes and three 0.8mm holes. Electrical symbols show A&B and C curves.</p>
RV102F-30 	 <p>RV102F-30 outline drawing details: Front view shows a diameter of 10.5mm and a 90-4° knurl. Side view shows a height of 7.5mm and a 90° teeth knurl. Mounting hole detail shows two 1.4mm holes spaced 10.0±0.1mm apart and five 0.8mm holes spaced 8.0mm apart. Electrical symbols show A&B and C curves.</p>

[Back to top](#)

10mm Thin Micro Potentiometer

■ Knob Type



Order Code	Knob Diameter (D)	Number of Teeth Knurl	Knob Thickness (T)	Mounting Surface Height (H)
4K1B	$\phi 14$	90	1.0 mm	1.3 mm
4K2B	$\phi 14$	90	2.0 mm	1.3 mm
4K3B	$\phi 14$	90	2.8 mm	1.3 mm
4K3C	$\phi 14$	90	2.8 mm	1.95 mm
6K1B	$\phi 16$	90	1.0 mm	1.3 mm
6K2B	$\phi 16$	90	2.0 mm	1.3 mm
6K3B	$\phi 16$	90	2.8 mm	1.3 mm
8M1B	$\phi 18$	72	1.0 mm	1.3 mm
8M2B	$\phi 18$	72	2.0 mm	1.3 mm
8M3B	$\phi 18$	72	2.8 mm	1.3 mm

Design and specifications presented here are for the standard parts only. Please kindly contact us for your special requests and ask for the current technical specifications before purchase and/or use.

[Back to top](#)

X-ON Electronics

Largest Supplier of Electrical and Electronic Components

Click to view similar products for [Potentiometers](#) category:

Click to view products by [Alpha Taiwan](#) manufacturer:

Other Similar products are found below :

[58C2-2](#) [590SX1N32F103SS](#) [591SXP56S252SC](#) [D31409](#) [70B1G048K502X-A](#) [70B1M032S502W](#) [70B1N056S202W](#) [70B8N056F502W](#)
[70J8N048S104U](#) [70L1N040P103W](#) [70L1N048P103X](#) [70L1N048S103W](#) [GA2L040S102UC](#) [GA2L040S103UC](#) [GS1G044P103UA](#)
[GS1N048P103UA](#) [GS1T032S103UA](#) [A43-1500](#) [A43-20K](#) [A47-200K](#) [A4720K](#) [132-2-0-202](#) [132-0-0-202](#) [RK14K1220-F25-C0-A103](#)
[RK14K1220F25C0C104](#) [RK14K1220-F25-C1-B103](#) [14910FAGJSX10102KA](#) [14910FBGLFY00103KA](#) [14910AABHSX10103KA](#)
[14910FAGJSX10104KA](#) [152-01031](#) [C0342008 5K](#) [J97589](#) [23M728](#) [248BBHS0XB25104MA](#) [248BBHS0XB25503MA](#)
[249FGJS0XB25503KA](#) [RV170F-10-15R1-B500K-0021](#) [917523A](#) [A43-40](#) [A43-750](#) [A43S-5](#) [A47-15K](#) [A47-1K](#) [A4750K](#) [SPPG048S103U](#)
[SPPG056P103U](#) [SWE-10](#) [GA2G040F103BA](#) [249FGJS0XB25102KA](#)