

11mm Endless Rotary Type, Metal & Plastic Shaft

Application

- ✓ TV/Video, Audio, Musical instruments

Feature

- ✓ 360° degrees continuous potentiometer



■Specification

Total Rotational Angle	360° endless
Maximum Operating Voltage	5-15V DC
Insulation Resistance	100MΩ min at DC250V
Dielectric Strength	AC150V for 1 minute
Rotational Torque	10-200 gf.cm
Push/Pull Strength of the Shaft	6kgf for 3 sec
Rotation Life	15,000 cycles

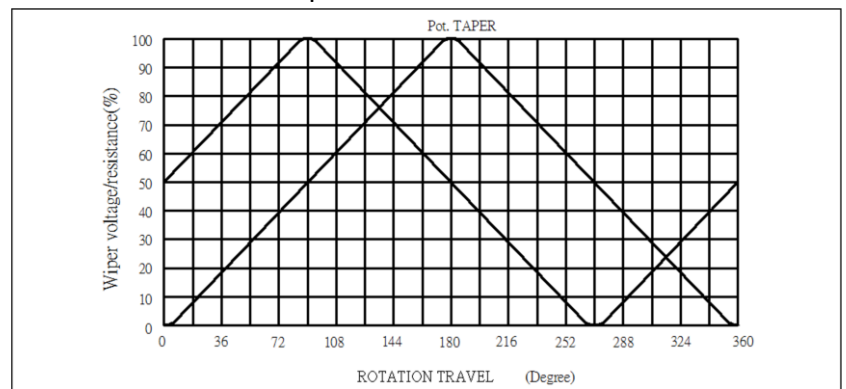
■How to order

RV112FF-40 - 15A - 0B10K

Model

Shaft Type

Standard Resistance Taper:



Taper and Resistance Value

Order Code	Taper	Resistance Value
0B1M	Linear (0B)	1MΩ

Taper: 0B taper

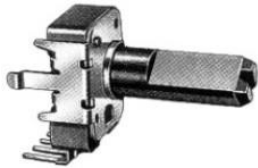
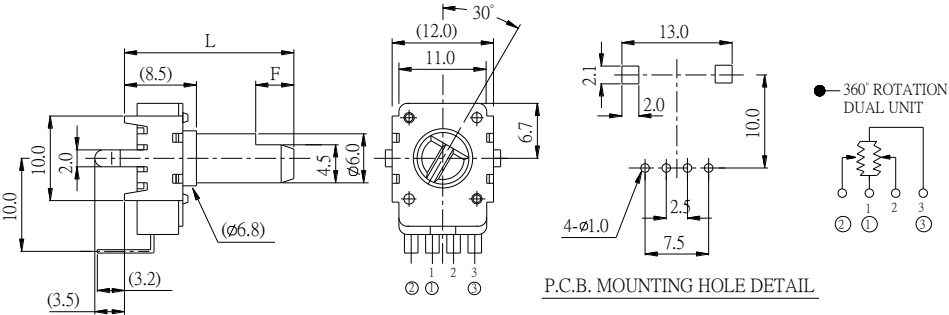

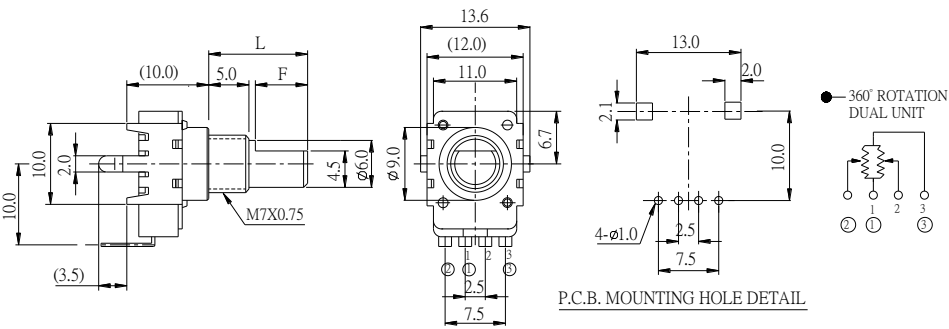

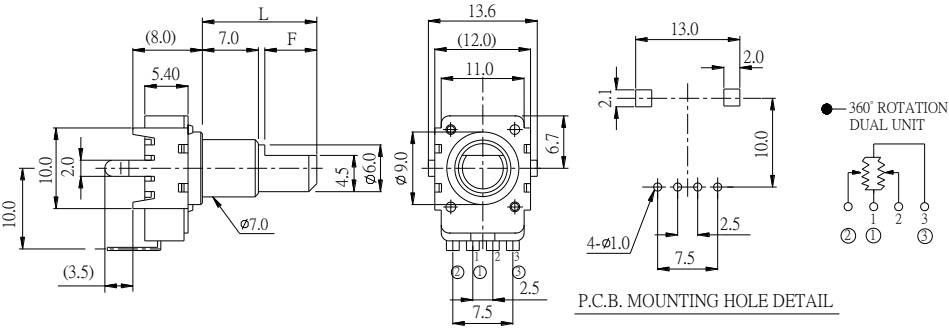
Resistance Value: 1KΩ to 500KΩ and 1MΩ

*Contact us for other requirements.

11mm Endless Rotary Type, Metal & Plastic Shaft

■ Model Description

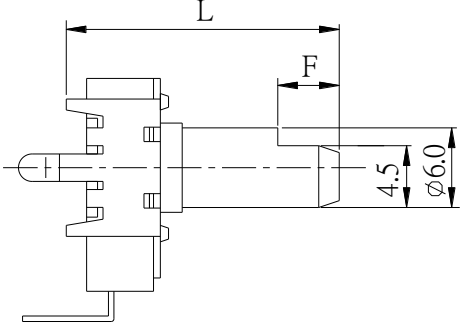
Model	Number of Unit	Terminal Type	Bushing	Shaft	Rotational Angle
RV112FF-40	Dual unit	Vertical	N/A	Plastic	360°
RV112FF-40B1	Dual unit	Vertical	Metal	Metal	360°
RV112FF-40B3N	Dual unit	Vertical	Metal bushing without thread	Metal	360°

Order Code	Outline Drawing
RV112FF-40 	
RV112FF-40B1 	
RV112FF-40B3N 	

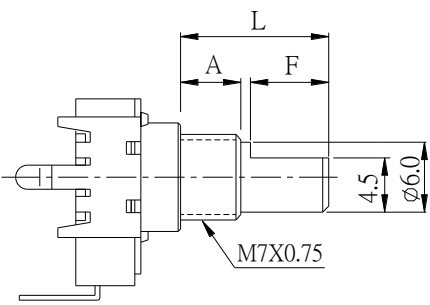
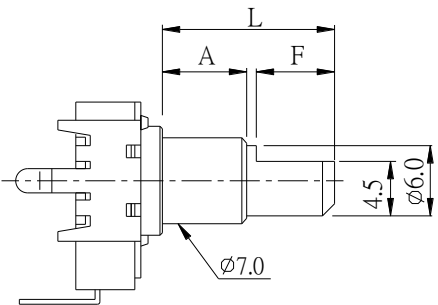
[Back to top](#)

11mm Endless Rotary Type, Metal & Plastic Shaft

■ A Type Plastic Shaft

RV112FF-40-(L)A										
										
Order Code	15A	20A	225A	25A	275A	30A	325A	375A		
L	15	20	22.5	25	25	27.5	30	32.5	37.5	
F	4.5	7	7	7	12	12	12	12	12	

■ F Type Metal Shaft

RV112FF-40B1-(L)F	RV112FF-40B3N-(L)F																								
																									
<table border="1" style="width: 100%; border-collapse: collapse;"> <thead> <tr> <th>Order Code</th> <th>15F</th> <th>20F</th> <th>25F</th> </tr> </thead> <tbody> <tr> <td>L</td> <td style="text-align: center;">15</td> <td style="text-align: center;">20</td> <td style="text-align: center;">25</td> </tr> <tr> <td>A</td> <td style="text-align: center;">5</td> <td style="text-align: center;">5</td> <td style="text-align: center;">5</td> </tr> </tbody> </table>	Order Code	15F	20F	25F	L	15	20	25	A	5	5	5	<table border="1" style="width: 100%; border-collapse: collapse;"> <thead> <tr> <th>Order Code</th> <th>15F</th> <th>20F</th> <th>25F</th> </tr> </thead> <tbody> <tr> <td>L</td> <td style="text-align: center;">15</td> <td style="text-align: center;">20</td> <td style="text-align: center;">25</td> </tr> <tr> <td>A</td> <td style="text-align: center;">7</td> <td style="text-align: center;">7</td> <td style="text-align: center;">7</td> </tr> </tbody> </table>	Order Code	15F	20F	25F	L	15	20	25	A	7	7	7
Order Code	15F	20F	25F																						
L	15	20	25																						
A	5	5	5																						
Order Code	15F	20F	25F																						
L	15	20	25																						
A	7	7	7																						

Design and specifications presented here are for the standard parts only. Please kindly contact us for your special requests and ask for the current technical specifications before purchase and/or use.

[Back to top](#)

X-ON Electronics

Largest Supplier of Electrical and Electronic Components

Click to view similar products for [Potentiometers](#) category:

Click to view products by [Alpha Taiwan](#) manufacturer:

Other Similar products are found below :

[58C2-2](#) [590SX1N32F103SS](#) [591SXP56S252SC](#) [D31409](#) [70B1G048K502X-A](#) [70B1M032S502W](#) [70B1N056S202W](#) [70B8N056F502W](#)
[70J8N048S104U](#) [70L1N040P103W](#) [70L1N048P103X](#) [70L1N048S103W](#) [GA2L040S102UC](#) [GA2L040S103UC](#) [GS1G044P103UA](#)
[GS1N048P103UA](#) [GS1T032S103UA](#) [A43-1500](#) [A43-20K](#) [A47-200K](#) [A4720K](#) [132-2-0-202](#) [132-0-0-202](#) [RK14K1220-F25-C0-A103](#)
[RK14K1220F25C0C104](#) [RK14K1220-F25-C1-B103](#) [14910FAGJSX10102KA](#) [14910FBGLFY00103KA](#) [14910AABHSX10103KA](#)
[14910FAGJSX10104KA](#) [152-01031](#) [C0342008 5K](#) [J97589](#) [23M728](#) [248BBHS0XB25104MA](#) [248BBHS0XB25503MA](#)
[249FGJS0XB25503KA](#) [RV170F-10-15R1-B500K-0021](#) [917523A](#) [A43-40](#) [A43-750](#) [A43S-5](#) [A47-15K](#) [A47-1K](#) [A4750K](#) [SPPG048S103U](#)
[SPPG056P103U](#) [SWE-10](#) [GA2G040F103BA](#) [249FGJS0XB25102KA](#)