

# POTENTIOMETERS



## 14mm Snap-In, Endless Rotary Type, Metal Shaft

### Application

- ✓ TV/Video, Audio, Musical instruments

### Feature

- ✓ 360° degrees continuous potentiometer with push switch



### ■Specification

|                                 |                     |
|---------------------------------|---------------------|
| Total Rotational Angle          | 360° endless        |
| Maximum Operating Voltage       | 5-15V DC            |
| Insulation Resistance           | 100MΩ min at DC250V |
| Dielectric Strength             | AC150V for 1 minute |
| Rotational Torque               | 10-200 gf.cm        |
| Push/Pull Strength of the Shaft | 6kgf for 3 sec      |
| Rotation Life                   | 15,000 cycles       |

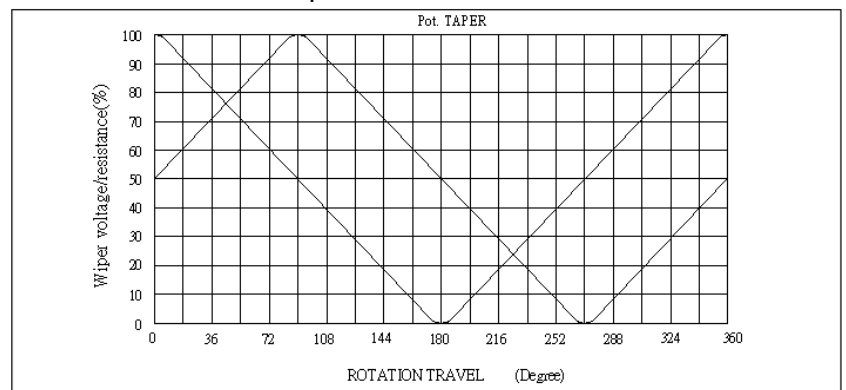
### ■How to order

RV142FPP-40B1 - 15F - 0B10K

[Model](#)

[Shaft Type](#)

### Standard Resistance Taper:



### Taper and Resistance Value

| Order Code | Taper       | Resistance Value |
|------------|-------------|------------------|
| 0B1M       | Linear (0B) | 1MΩ              |

Taper: 0B taper only


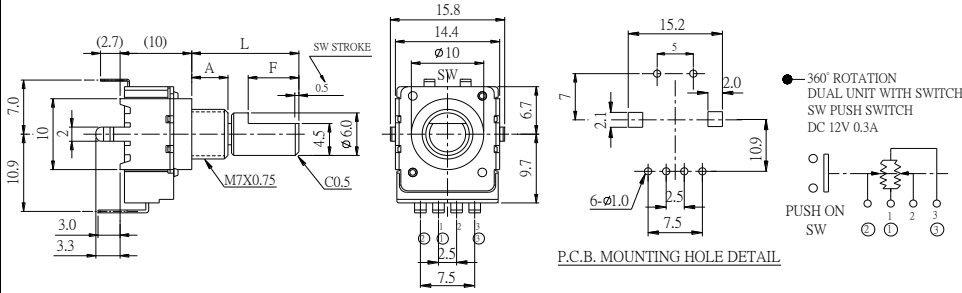
Resistance Value: 1KΩ to 500KΩ and 1MΩ

\*Contact us for other requirements.

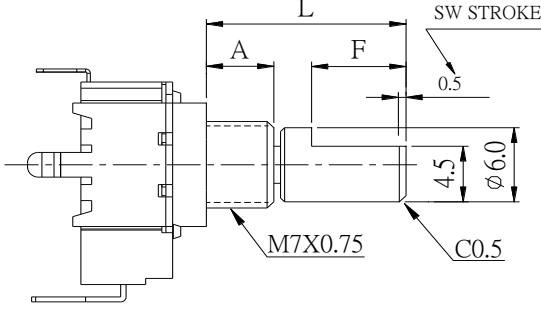
## 14mm Snap-In, Endless Rotary Type, Metal Shaft

### Model Description

| Model                         | Number of Unit | Terminal Type | Bushing | Shaft | Switch      |
|-------------------------------|----------------|---------------|---------|-------|-------------|
| <a href="#">RV142FPF-40B1</a> | Dual unit      | Vertical      | Metal   | Metal | Push switch |

| Order Code    | Outline Drawing   |
|---------------|---|
| RV142FPF-40B1 |   <p>Technical drawing details:<br/>         - Dimensions: 15.8, 14.4, 14.4, 10, 15.2, 5, 2.0, 7, 2.1, 10.9, 6, 2.5, 7.5, 7.5, 9.7, 6.7, 10.9, 7.0, 10, 2, 3.0, 3.3, 2.7, 10, L, SW STROKE, 0.5, 4.5, 6.0, M7X0.75, C0.5, 6-φ1.0, 2.5, 7.5, 10.9.<br/>         - Features: SW, SW STROKE, M7X0.75, C0.5, PUSH ON SW.<br/>         - Notes: 360° ROTATION DUAL UNIT WITH SWITCH SW PUSH SWITCH DC 12V 0.3A.<br/>         - Detail: P.C.B. MOUNTING HOLE DETAIL.</p> |

### F Type Metal Shaft

| RV142FPF-40B1-(L)F   |     |     |     |
|--|-----|-----|-----|
|  <p>Technical drawing details:<br/>         - Dimensions: L, A, F, SW STROKE, 0.5, 4.5, 6.0, M7X0.75, C0.5.<br/>         - Features: SW STROKE, M7X0.75, C0.5.</p> |     |     |     |
| Order Code   | 15F | 20F | 25F |
| L  | 15  | 20  | 25  |

Design and specifications presented here are for the standard parts only. Please kindly contact us for your special requests and ask for the current technical specifications before purchase and/or use.

[Back to top](#)

## X-ON Electronics

Largest Supplier of Electrical and Electronic Components

*Click to view similar products for [Potentiometers](#) category:*

*Click to view products by [Alpha Taiwan](#) manufacturer:*

Other Similar products are found below :

[58C2-2](#) [590SX1N32F103SS](#) [591SXP56S252SC](#) [D31409](#) [70B1G048K502X-A](#) [70B1M032S502W](#) [70B1N056S202W](#) [70B8N056F502W](#)  
[70J8N048S104U](#) [70L1N040P103W](#) [70L1N048P103X](#) [70L1N048S103W](#) [GA2L040S102UC](#) [GA2L040S103UC](#) [GS1G044P103UA](#)  
[GS1N048P103UA](#) [GS1T032S103UA](#) [A43-1500](#) [A43-20K](#) [A47-200K](#) [A4720K](#) [132-2-0-202](#) [132-0-0-202](#) [RK14K1220-F25-C0-A103](#)  
[RK14K1220F25C0C104](#) [RK14K1220-F25-C1-B103](#) [14910FAGJSX10102KA](#) [14910FBGLFY00103KA](#) [14910AABHSX10103KA](#)  
[14910FAGJSX10104KA](#) [152-01031](#) [C0342008 5K](#) [J97589](#) [23M728](#) [248BBHS0XB25104MA](#) [248BBHS0XB25503MA](#)  
[249FGJS0XB25503KA](#) [RV170F-10-15R1-B500K-0021](#) [917523A](#) [A43-40](#) [A43-750](#) [A43S-5](#) [A47-15K](#) [A47-1K](#) [A4750K](#) [SPPG048S103U](#)  
[SPPG056P103U](#) [SWE-10](#) [GA2G040F103BA](#) [249FGJS0XB25102KA](#)