

16mm Molded Case Series

Application

- ✓ Audio

Feature

- ✓ Low-profile



■ Specification

Total Rotational Angle	260±5°
Maximum Operating Voltage	Linear taper (B): 200V, other tapers: 150V
Insulation Resistance	50MΩ at DC500V
Dielectric Strength	AC500V for 1 minute
Rotational Torque	20-200 gf.cm
Switch Working Angle	30±10°
Switch Working Torque	70-400 gf.cm
Switch Raging	12V DC 1A
Switch Circuit	S.P.S.T
Rotation Life	15,000 cycles

■ How to order

RV161F-30 – 012J - B10K – 00K

[Model](#)

[Shaft Type](#)

Taper and Resistance Value

Ex:

Order Code	Taper	Resistance Value
A100K	Audio/Log/A	100KΩ
B1M	Linear/B	1MΩ
C500K	Rev-log/C	500KΩ

Taper: A, B and C

Resistance Value: 1KΩ to 500KΩ and 1MΩ

*Contact us for other requirements.


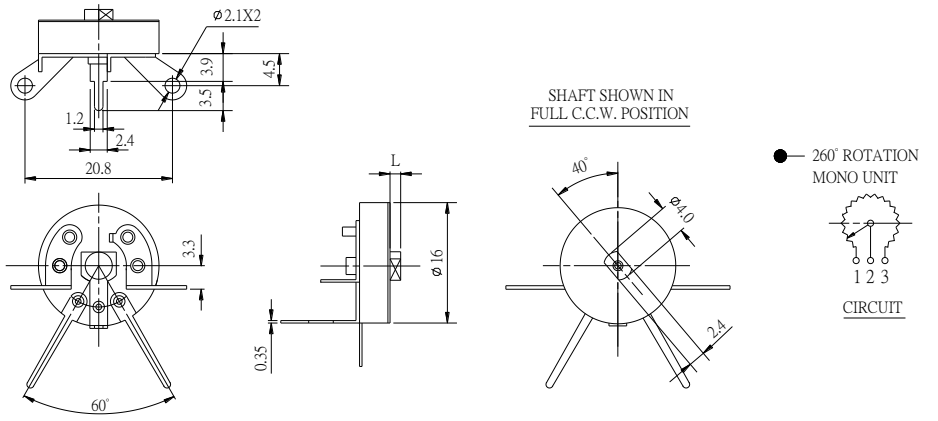

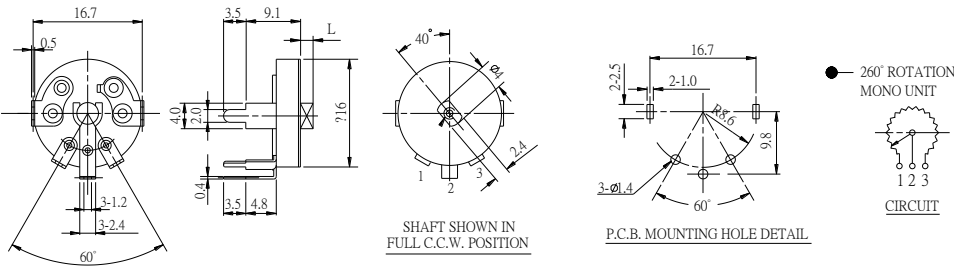
Accessory

Order Code	Description
Blank	Without
00K	With knob

16mm Molded Case Series


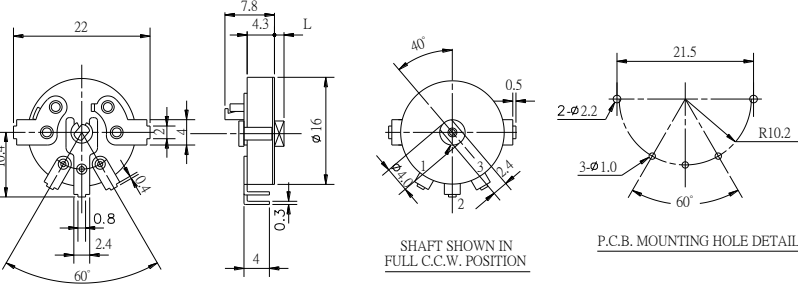
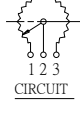

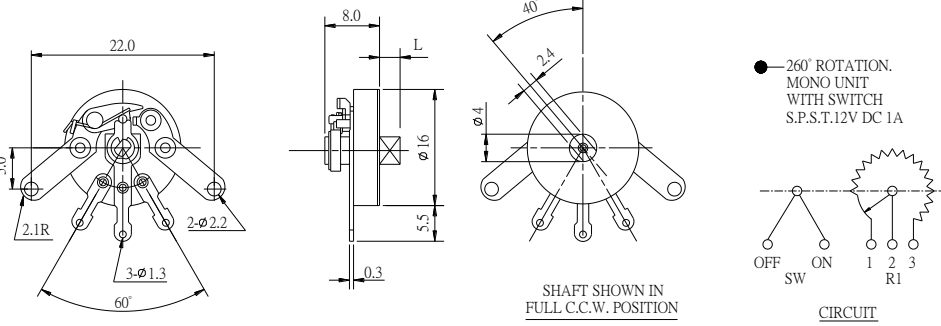
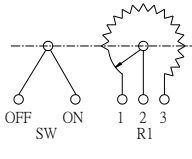

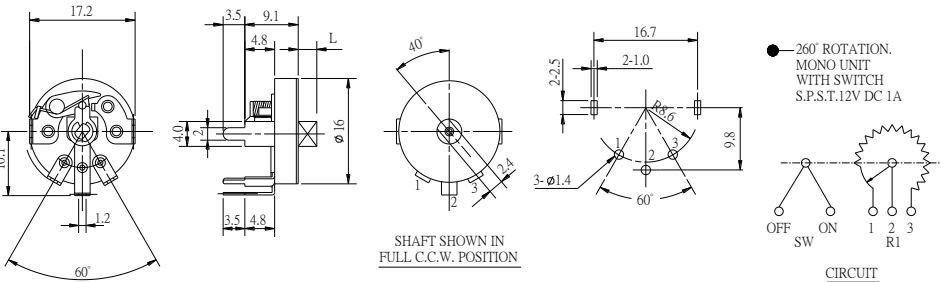
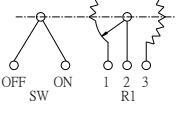
Model Description

Model	Number of Unit	Terminal Type	Switch	Rotational Angle
RV161F-22	Single unit	PCB board (horizontal)	Without switch	260°±5°
RV161F-30	Single unit	PCB board (vertical); front	Without switch	260°±5°
RV161F-40	Single unit	PCB board (vertical); back	Without switch	260°±5°
RV161SF-10	Single unit	Solder lug	With switch	260°±5°
RV161SF-30	Single unit	PCB board (vertical); front	With switch	260°±5°

Order Code	Outline Drawing
RV161F-22 	 <p>SHAFT SHOWN IN FULL C.C.W. POSITION</p> <p>● 260° ROTATION MONO UNIT</p> <p>CIRCUIT</p>
RV161F-30 	 <p>SHAFT SHOWN IN FULL C.C.W. POSITION</p> <p>● 260° ROTATION MONO UNIT</p> <p>P.C.B. MOUNTING HOLE DETAIL</p> <p>CIRCUIT</p>

[Back to top](#)

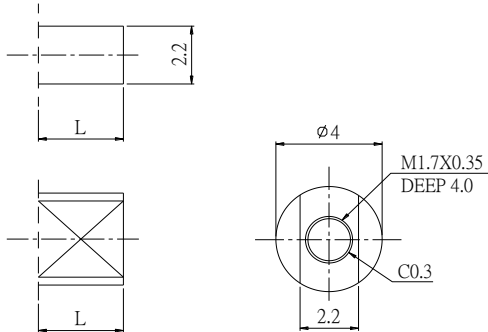
16mm Molded Case Series

Order Code	Outline Drawing
<p>RV161F-40</p> 	 <p>SHAFT SHOWN IN FULL C.C.W. POSITION</p> <p>P.C.B. MOUNTING HOLE DETAIL</p> <p>● 260° ROTATION MONO UNIT</p>  <p>CIRCUIT</p>
<p>RV161SF-10</p> 	 <p>SHAFT SHOWN IN FULL C.C.W. POSITION</p> <p>● 260° ROTATION. MONO UNIT WITH SWITCH S.P.S.T. 12V DC 1A</p>  <p>CIRCUIT</p>
<p>RV161SF-30</p> 	 <p>SHAFT SHOWN IN FULL C.C.W. POSITION</p> <p>● 260° ROTATION. MONO UNIT WITH SWITCH S.P.S.T. 12V DC 1A</p>  <p>CIRCUIT</p>

[Back to top](#)

16mm Molded Case Series

■ Shaft Type

	Order Code	Shaft Length (L)
	012J	1.2 mm
	02J	2.0 mm

Design and specifications presented here are for the standard parts only. Please kindly contact us for your special requests and ask for the current technical specifications before purchase and/or use.

[Back to top](#)

X-ON Electronics

Largest Supplier of Electrical and Electronic Components

Click to view similar products for [Potentiometers](#) category:

Click to view products by [Alpha Taiwan](#) manufacturer:

Other Similar products are found below :

[58C2-2](#) [590SX1N32F103SS](#) [591SXJ48S252SC](#) [591SXP56S252SC](#) [591SXP56S503SC](#) [D31409](#) [70B1G048K502X-A](#) [70B1M032S502W](#)
[70B1N056S202W](#) [70B8N056F502W](#) [70J8N048S104U](#) [70L1N040P103W](#) [70L1N048P103X](#) [70L1N048S103W](#) [GA2L040S102UC](#)
[GA2L040S103UC](#) [GS1G044P103UA](#) [GS1N048P103UA](#) [GS1T032S103UA](#) [A43-1500](#) [A43-20K](#) [A47-200K](#) [A4720K](#) [RA20LASD251A](#)
[132-2-0-202](#) [RK14K1220-F25-C0-A103](#) [RK14K1220F25C0C104](#) [RK14K1220-F25-C1-B103](#) [14910FAGJSX10102KA](#)
[14910FBGLFY00103KA](#) [14910AABHSX10103KA](#) [14910FAGJSX10104KA](#) [152-01031](#) [C0342008 5K](#) [P270-109A](#) [J97589](#) [23M728](#)
[RV170F-10-15R1-B500K-0021](#) [RV8NAYS104A](#) [917523A](#) [A43-40](#) [A43-750](#) [A43S-5](#) [A47-15K](#) [A4750K](#) [SPPG048S103U](#)
[SPPG056P103U](#) [SWE-10](#) [GA2G040F103BA](#) [GS1G052F103UA-A](#)