

## 24mm Rotary Type with Rotary Switch

### Application

- ✓ TV/Video, Audio, Home appliance, Industrial control

### Feature

- ✓ Suitable for various control



### ■Specification

|                                       |                      |
|---------------------------------------|----------------------|
| Total Rotational Angle                | 300±5°               |
| Maximum Operating Voltage             | 500V AC              |
| Insulation Resistance                 | 100MΩ at DC500V      |
| Dielectric Strength                   | AC 500V for 1 minute |
| Rotational Torque                     | 20-200 gf.cm         |
| Rotational Stop Strength of the Shaft | 6 kgf.cm min         |
| Rotation Life                         | 15,000 cycles        |
| Switch Working Angle                  | 50° ±10°             |
| Switch Working Torque                 | 800 gf.cm max        |
| Switch Life                           | 10,000 cycles        |

### ■How to order

RV24A03F – 40 D2 – 25F – B500K

[Model](#)

#### Bushing Type

| Order Code | Description      |
|------------|------------------|
| D2         | 3/8"x0.75, 6.5mm |
| Blank      | M8x0.75, 6.5 mm  |

[Shaft Type](#)

#### Taper and Resistance Value

| Order Code | Taper     | Resistance Value |
|------------|-----------|------------------|
| A100K      | Log/A     | 100KΩ            |
| B1M        | Linear/B  | 1MΩ              |
| C500K      | Rev-log/C | 500KΩ            |

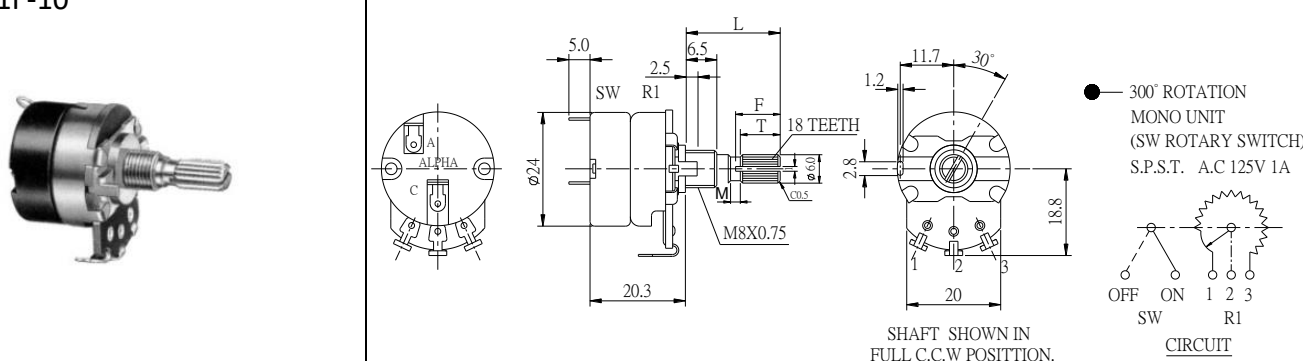
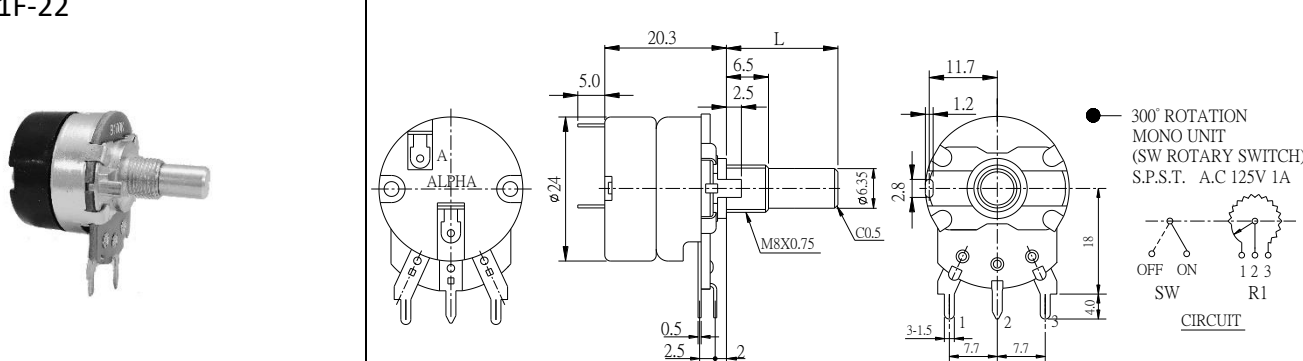

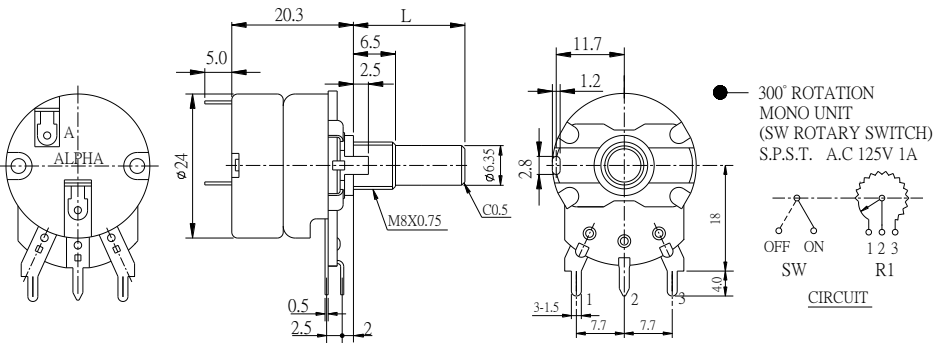
Taper: A, B and C

Resistance Value: 1KΩ to 500KΩ and 1MΩ

## 24mm Rotary Type with Rotary Switch

### ■ Model Description

| Model                         | Number of Unit | Switch Function       | Terminal Type       | With Sleeve or Bushing | Rotational Angle |
|-------------------------------|----------------|-----------------------|---------------------|------------------------|------------------|
| <a href="#">RV24A01F-10</a>   | Single unit    | S.P.S.T.<br>Rotary SW | Solder lug          | Metal bushing          | 300°±5°          |
| <a href="#">RV24A01F-22</a>   | Single unit    | S.P.S.T.<br>Rotary SW | Horizontal          | Metal bushing          | 300°±5°          |
| <a href="#">RV24A01F-30</a>   | Single unit    | S.P.S.T.<br>Rotary SW | Vertical<br>(Front) | Metal bushing          | 300°±5°          |
| <a href="#">RV24A01F-40</a>   | Single unit    | S.P.S.T.<br>Rotary SW | Vertical            | Metal bushing          | 300°±5°          |
| <a href="#">RV24A02F-10</a>   | Single unit    | S.P.D.T.<br>Rotary SW | Solder lug          | Metal bushing          | 300°±5°          |
| <a href="#">RV24A03F-40D2</a> | Single unit    | S.P.S.T.<br>Rotary SW | Vertical            | Plastic bushing        | 300°±5°          |

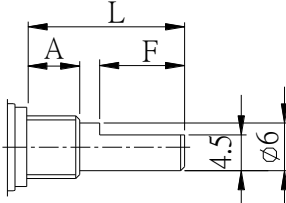
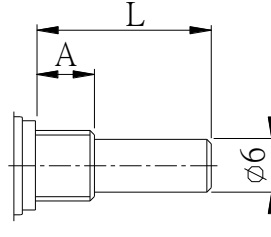
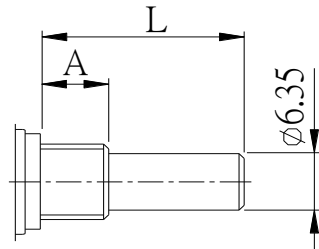
| Order Code  | Outline Drawing   |
|-------------|---|
| RV24A01F-10 |   <p>SHAFT SHOWN IN FULL C.C.W POSITION.</p> <p>● 300° ROTATION MONO UNIT (SW ROTARY SWITCH) S.P.S.T. A.C 125V 1A</p> <p>CIRCUIT</p> |
| RV24A01F-22 |   <p>● 300° ROTATION MONO UNIT (SW ROTARY SWITCH) S.P.S.T. A.C 125V 1A</p> <p>CIRCUIT</p>  |

[Back to top](#)

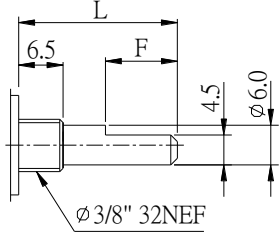
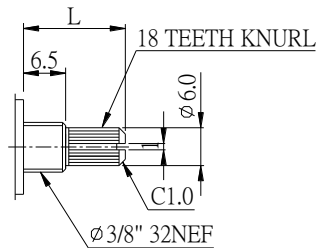


## 24mm Rotary Type with Rotary Switch

### ■ Metal Shaft Type

| RV24A01F & RV24A02F   |   |   |     |    |     |    |     |    |   |            |   |     |    |     |    |     |    |     |    |  |            |   |      |    |
|---|---|---|-----|----|-----|----|-----|----|---|------------|---|-----|----|-----|----|-----|----|-----|----|--|------------|---|------|----|
| F Type<br>A : 6.5mm   | R Type<br>A : 6.5mm   | R1 Type<br>A : 6.5mm  |     |    |     |    |     |    |   |            |   |     |    |     |    |     |    |     |    |  |            |   |      |    |
|    |  |  |     |    |     |    |     |    |   |            |   |     |    |     |    |     |    |     |    |  |            |   |      |    |
| <table border="1" style="margin: auto;"> <thead> <tr> <th>Order Code</th> <th>L</th> </tr> </thead> <tbody> <tr> <td>15F</td> <td>15</td> </tr> <tr> <td>20F</td> <td>20</td> </tr> <tr> <td>30F</td> <td>30</td> </tr> </tbody> </table> | Order Code  | L   | 15F | 15 | 20F | 20 | 30F | 30 | <table border="1" style="margin: auto;"> <thead> <tr> <th>Order Code</th> <th>L</th> </tr> </thead> <tbody> <tr> <td>15R</td> <td>15</td> </tr> <tr> <td>20R</td> <td>20</td> </tr> <tr> <td>30R</td> <td>30</td> </tr> <tr> <td>40R</td> <td>40</td> </tr> </tbody> </table> | Order Code | L | 15R | 15 | 20R | 20 | 30R | 30 | 40R | 40 | <table border="1" style="margin: auto;"> <thead> <tr> <th>Order Code</th> <th>L</th> </tr> </thead> <tbody> <tr> <td>15R1</td> <td>15</td> </tr> </tbody> </table> | Order Code | L | 15R1 | 15 |
| Order Code  | L   |   |     |    |     |    |     |    |   |            |   |     |    |     |    |     |    |     |    |  |            |   |      |    |
| 15F   | 15  |   |     |    |     |    |     |    |   |            |   |     |    |     |    |     |    |     |    |  |            |   |      |    |
| 20F   | 20  |   |     |    |     |    |     |    |   |            |   |     |    |     |    |     |    |     |    |  |            |   |      |    |
| 30F   | 30  |   |     |    |     |    |     |    |   |            |   |     |    |     |    |     |    |     |    |  |            |   |      |    |
| Order Code  | L   |   |     |    |     |    |     |    |   |            |   |     |    |     |    |     |    |     |    |  |            |   |      |    |
| 15R   | 15  |   |     |    |     |    |     |    |   |            |   |     |    |     |    |     |    |     |    |  |            |   |      |    |
| 20R   | 20  |   |     |    |     |    |     |    |   |            |   |     |    |     |    |     |    |     |    |  |            |   |      |    |
| 30R   | 30  |   |     |    |     |    |     |    |   |            |   |     |    |     |    |     |    |     |    |  |            |   |      |    |
| 40R   | 40  |   |     |    |     |    |     |    |   |            |   |     |    |     |    |     |    |     |    |  |            |   |      |    |
| Order Code  | L   |   |     |    |     |    |     |    |   |            |   |     |    |     |    |     |    |     |    |  |            |   |      |    |
| 15R1  | 15  |   |     |    |     |    |     |    |   |            |   |     |    |     |    |     |    |     |    |  |            |   |      |    |

### ■ Plastic Shaft Type

| RV24A03F-40D2   |   |            |   |     |    |  |   |            |   |     |    |
|---|---|------------|---|-----|----|--|---|------------|---|-----|----|
| F Type<br>A : 6.5mm   | B Type<br>A : 6.5mm   |            |   |     |    |  |   |            |   |     |    |
|  | <table border="1" style="margin: auto;"> <thead> <tr> <th>Order Code</th> <th>L</th> </tr> </thead> <tbody> <tr> <td>25F</td> <td>25</td> </tr> </tbody> </table> | Order Code | L | 25F | 25 |  | <table border="1" style="margin: auto;"> <thead> <tr> <th>Order Code</th> <th>L</th> </tr> </thead> <tbody> <tr> <td>16B</td> <td>16</td> </tr> </tbody> </table> | Order Code | L | 16B | 16 |
| Order Code  | L   |            |   |     |    |  |   |            |   |     |    |
| 25F   | 25  |            |   |     |    |  |   |            |   |     |    |
| Order Code  | L   |            |   |     |    |  |   |            |   |     |    |
| 16B   | 16  |            |   |     |    |  |   |            |   |     |    |

Design and specifications presented here are for the standard parts only. Please kindly contact us for your special requests and ask for the current technical specifications before purchase and/or use.

[Back to top](#)

## X-ON Electronics

Largest Supplier of Electrical and Electronic Components

*Click to view similar products for [Potentiometers](#) category:*

*Click to view products by [Alpha Taiwan](#) manufacturer:*

Other Similar products are found below :

[58C2-2](#) [590SX1N32F103SS](#) [591SXJ48S252SC](#) [591SXP56S252SC](#) [591SXP56S503SC](#) [D31409](#) [70B1G048K502X-A](#) [70B1M032S502W](#)  
[70B1N056S202W](#) [70B8N056F502W](#) [70J8N048S104U](#) [70L1N040P103W](#) [70L1N048P103X](#) [70L1N048S103W](#) [86A2D-C20-A23/R53L](#)  
[GA2L040S102UC](#) [GA2L040S103UC](#) [GS1G044P103UA](#) [GS1N048P103UA](#) [GS1T032S103UA](#) [A43-1500](#) [A43-20K](#) [A47-200K](#) [A4720K](#)  
[RA20LASD251A](#) [132-2-0-202](#) [RK14K1220-F25-C0-A103](#) [RK14K1220F25C0C104](#) [RK14K1220-F25-C1-B103](#) [14910FAGJSX10102KA](#)  
[14910FBGLFY00103KA](#) [14910AABHSX10103KA](#) [14910FAGJSX10104KA](#) [152-01031](#) [C0342008 5K](#) [P270-109A](#) [J97589](#) [23M728](#)  
[RV170F-10-15R1-B500K-0021](#) [RV8NAYS104A](#) [917523A](#) [A43-40](#) [A43-750](#) [A43S-5](#) [A47-15K](#) [A4750K](#) [SPPG048S103U](#)  
[SPPG056P103U](#) [SWE-10](#) [GA2G040F103BA](#)