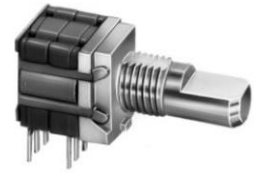


SR10010F Series

Application

- ✓ Video, Audio, Home appliance, Precision apparatus,
Automotive, Musical instruments, Industrial control, Others



Feature

- ✓ Up to 6 positions Horizontal type switches with optional metal shafts.

■Specification

Rating	16V DC 0.1A
Contact Resistance	50 mΩ Max.
Rotational Torque	400 ± 200 gf.cm
Operating Life Cycle (Without Load)	10,000 cycles

■How to order

SR10010F – 0102 – 15R0A – C7 – N

[Model](#)

Number of Pole & Position
Ex. 0102 – 1 pole 2 positions
0402 – 4 poles 2 positions

[Shaft Type](#)

[Flat Cut of Shaft Direction](#)

Timing:

Order Code	Description
N	Non-shorting (break-before-make)

Bushing Type:

Order Code	Bushing Length	Bushing Diameter
C7	6mm	M7*0.75

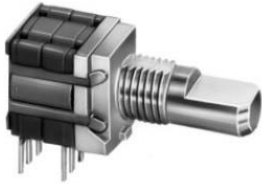
SR10010F Series

Model Description

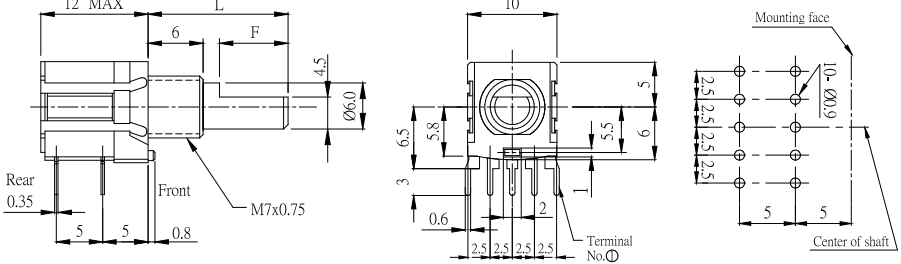
Model	Terminal Type	Pole	Position	Changeover Angle	Timing
SR10010F	PCB	1	2~6	30°	Non-shorting
		2	2~6		
		4	3~5		

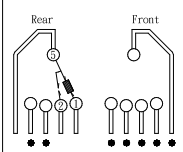
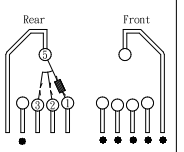
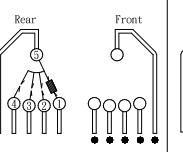
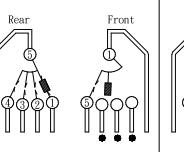
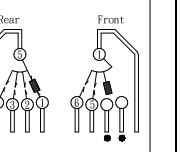
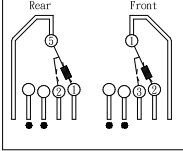
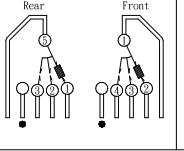
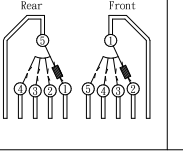
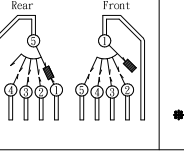
Order Code

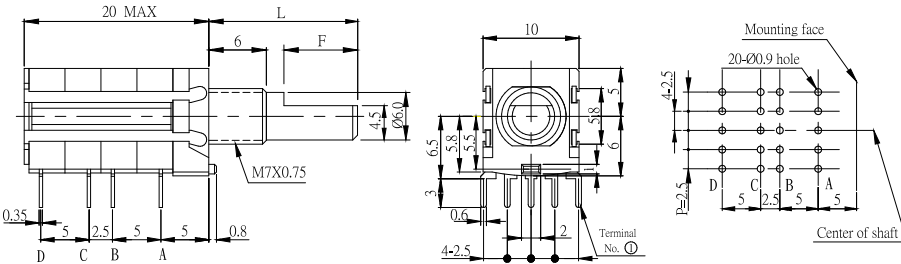
SR10010F-□□-(L)FOA-C7-N

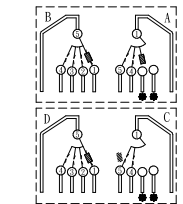
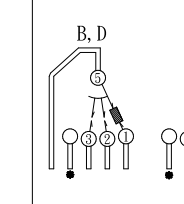
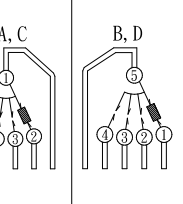
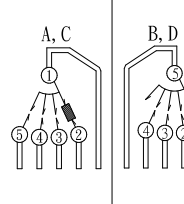


Outline Drawing



0102	0103	0104	0105	0106
				
0202	0203	0204	0205	
				● DUMMY TERMINAL



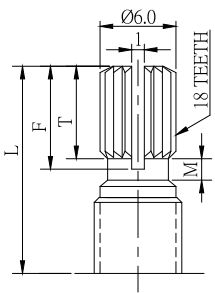
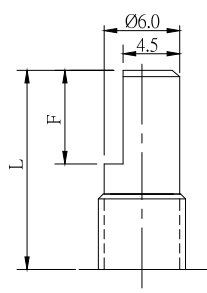
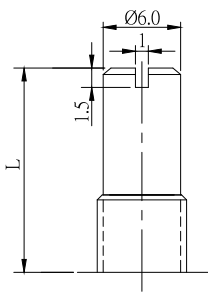
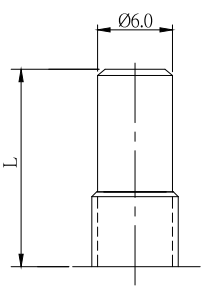
0206	0403	0404	0405
			

[Back to top](#)

SR10010F Series

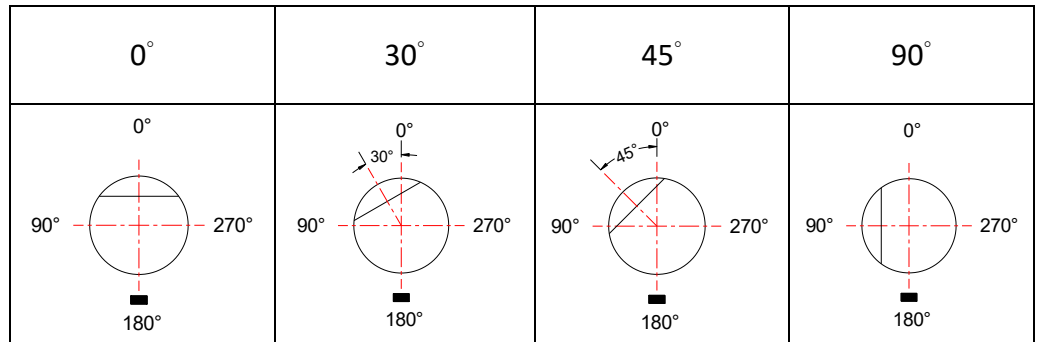
■ Shaft Type

Flat Cut of Shaft Direction

Order Code	(L)KOA	(L)FOA	(L)SOA	(L)ROA
Shaft Type	18 Teeth knurled	Flat shaft	Slotted shaft	Round shaft
Dimensions				
Standard Shaft Length (L)	15, 20, 25, 30			

■ Flat Cut of Shaft Direction

Code	Flat Cut of Shaft Direction
0	0°
1	30°
2	45°
5	90°



Design and specifications presented here are for the standard parts only. Please kindly contact us for your special requests and ask for the current technical specifications before purchase and/or use.

[Back to top](#)

X-ON Electronics

Largest Supplier of Electrical and Electronic Components

Click to view similar products for [Rotary Switches](#) category:

Click to view products by [Alpha Taiwan](#) manufacturer:

Other Similar products are found below :

[57HS22-02-2-06N](#) [57M22-02B16N](#) [57M22-09A16N](#) [M3786/4-0881](#) [M3786/4-3267](#) [M3786/4-5568](#) [M3786/4-6029](#) [71ESF30-05204N](#)
[MC06L1NCGF](#) [84986-26](#) [9003K2C003GA](#) [PLR3251](#) [PLR3262](#) [PS3](#) [A0142M2SP](#) [A029303](#) [R2AA4455NNNN](#) [R2BB4455NNNN](#) [DR75-](#)
[AMSF-10R-B](#) [1703.3201](#) [HW1MS-0202-101](#) [24002-03S](#) [A029101](#) [ACSNO-129-YB-C1014](#) [ACSNO-134-RR-YB-C1005](#) [ACSNO-353-SB-](#)
[C3016](#) [1825537-4](#) [T505](#) [T505E](#) [24005-03N](#) [H10207RR01Q](#) [M3786/39-4ZC](#) [M3786/4-0002](#) [M3786/4-0630](#) [M3786/4-1028L](#) [M3786/4-](#)
[1233L](#) [M3786/4-3044](#) [M3786/4-3129](#) [M3786/4-5008L](#) [M3786/4-5256](#) [MC6CX1A502X009](#) [42HS36-01-1-06N](#) [42P36-03B10S](#) [44MBS60-](#)
[04-2-03N](#) [44MG90-02-1-02N](#) [50KMT90-01-2-02N](#) [51A22-01-1-16S](#) [51CDP30-01PAJN](#) [51KSP30-01D04N](#) [51P30-01B12N](#)