

## SR26 Series

### Application

- ✓ TV/Video, Audio, Home appliance, Precision apparatus,  
Automotive, Musical instruments, Industrial control, Others

### Feature

- ✓ Up to 12 positions general use rotary switches with optional plastic shafts.



### ■Specification

Rating	125V AC 0.3A
Withstand Voltage	500V AC - 1 minute
Contact Resistance	50 mΩ Max.
Insulation Resistance	500V DC - 100MΩ Min.
Rotational Torque	0.5 ± 0.2 kgf.cm
Operating Life Cycle	10,000 cycles

### ■How to order

SR2612F – 0102 – 15F5B – D8 – S

[Model](#)

Number of Pole & Position  
Ex. 0102 – 1 pole 2 positions  
0402 – 4 poles 2 positions

[Shaft Type](#)

#### Timing

Order Code	Description
S	Shorting (make-before-break)
N	Non-shorting (break-before-make)


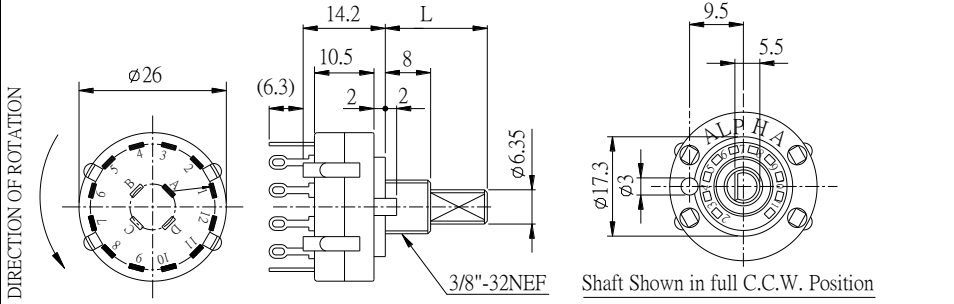

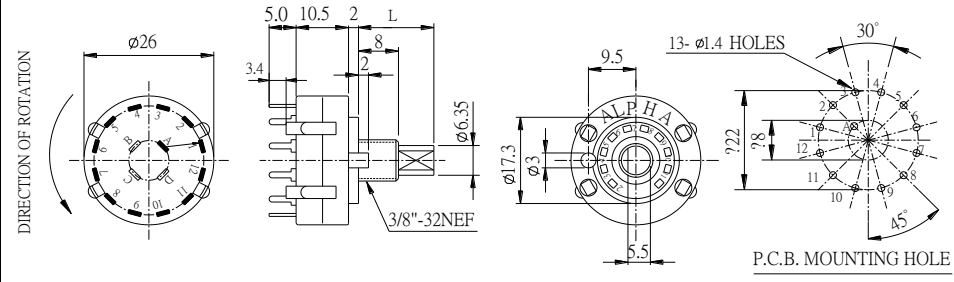

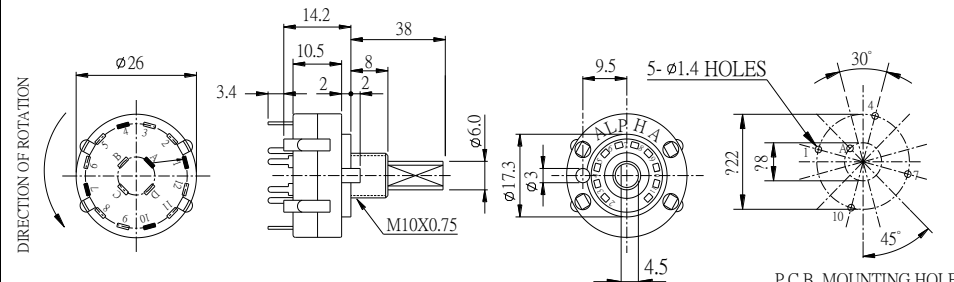
#### Bushing Type

Order Code	Bushing Length	Bushing Diameter
D1	8mm	M10*0.75
D8	8mm	3/8"- 32NEF

## SR26 Series

### Model Description

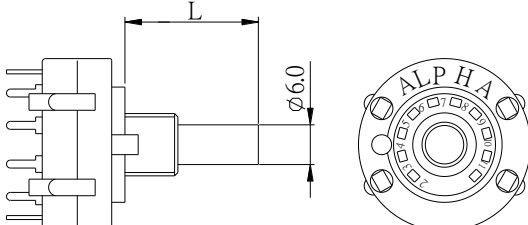
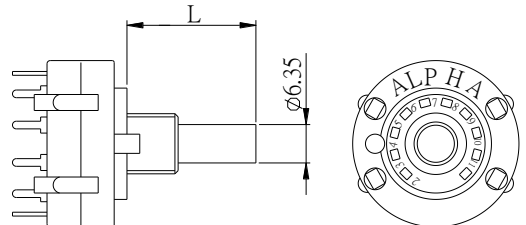
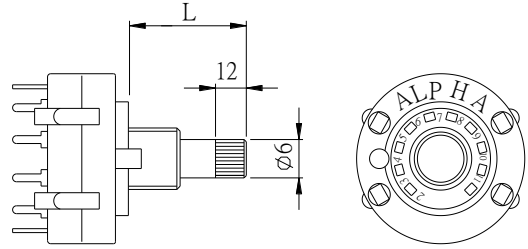
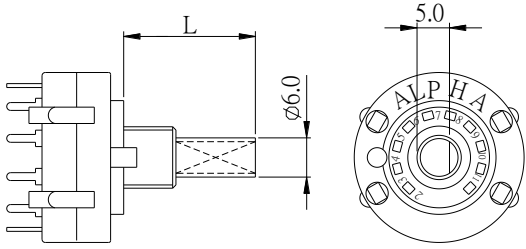
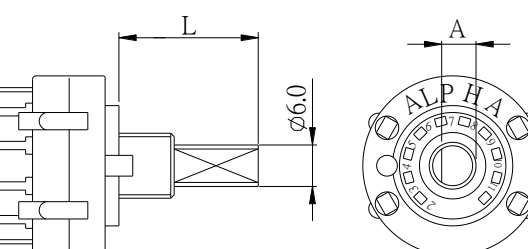
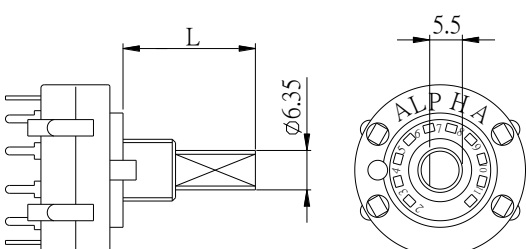
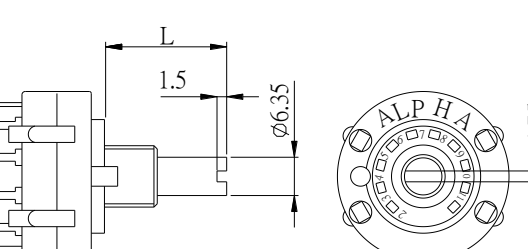
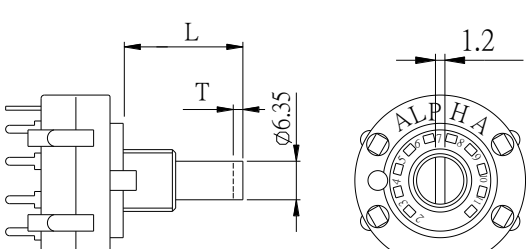
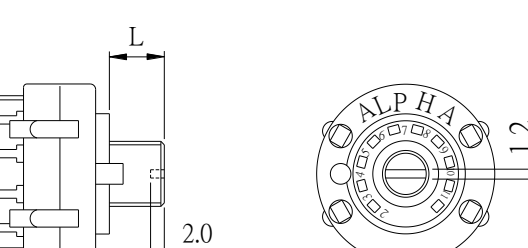
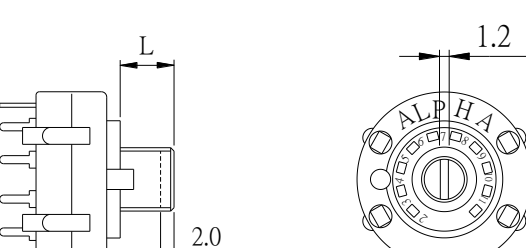
Model	Terminal Type	Pole	Position	Changeover Angle	Timing
<a href="#">SR2611F</a>	Soldering	1	2~12	30°	Shorting/ Non-shorting
		2	2~6		
		3	2~4		
		4	2~3		
<a href="#">SR2612F</a>	PCB	1	2~12		
		2	2~6		
		3	2~4		
<a href="#">SR2613F</a>	PCB	1	2~4		

Order Code	Outline Drawing
SR2611F-□□-(L)F5B-D8-S 	 Shaft Shown in full C.C.W. Position
SR2612F-□□-(L)F5B-D8-S 	 P.C.B. MOUNTING HOLE
SR2613F-□□-(L)F5A-D1-N 	 P.C.B. MOUNTING HOLE  CHANGEOVER ANGLE=60° IS ALSO AVAILABLE UPON REQUEST

[Back to top](#)

## SR26 Series

### ■ Shaft Type

LROA		LROB	
	L		L
	15		15
	18		18
	38		38
LKOA		LF6A (270°)	
	L		L
	33.5		20
LF5A (90°)		LF5B (90°)	
	L		L
	A		15
	16		4.5
	17		5.0
	20		4.6
24	5.0		
24	4.6	29	38
LSOB		LS5B	
	L		L
	14.5		T
23	1.3		
8SOB		8S5B	
	L		L
	8		8

Design and specifications presented here are for the standard parts only. Please kindly contact us for your special requests and ask for the current technical specifications before purchase and/or use.

[Back to top](#)

## X-ON Electronics

Largest Supplier of Electrical and Electronic Components

*Click to view similar products for [Rotary Switches](#) category:*

*Click to view products by [Alpha Taiwan](#) manufacturer:*

Other Similar products are found below :

[57HS22-02-2-06N](#) [57M22-02B16N](#) [57M22-09A16N](#) [M3786/4-0881](#) [M3786/4-3267](#) [M3786/4-5568](#) [M3786/4-6029](#) [71ESF30-05204N](#)  
[MC06L1NCGF](#) [84986-26](#) [9003K2C003GA](#) [PLR3251](#) [PLR3262](#) [PS3](#) [A0142M2SP](#) [A029303](#) [R2AA4455NNNN](#) [R2BB4455NNNN](#) [DR75-](#)  
[AMSF-10R-B](#) [1703.3201](#) [HW1MS-0202-101](#) [24002-03S](#) [A029101](#) [ACSNO-129-YB-C1014](#) [ACSNO-134-RR-YB-C1005](#) [ACSNO-353-SB-](#)  
[C3016](#) [1825537-4](#) [T505](#) [T505E](#) [24005-03N](#) [H10207RR01Q](#) [M3786/39-4ZC](#) [M3786/4-0002](#) [M3786/4-0630](#) [M3786/4-1028L](#) [M3786/4-](#)  
[1233L](#) [M3786/4-3044](#) [M3786/4-3129](#) [M3786/4-5008L](#) [M3786/4-5256](#) [MC6CX1A502X009](#) [42HS36-01-1-06N](#) [42P36-03B10S](#) [44MBS60-](#)  
[04-2-03N](#) [44MG90-02-1-02N](#) [50KMT90-01-2-02N](#) [51A22-01-1-16S](#) [51CDP30-01PAJN](#) [51KSP30-01D04N](#) [51P30-01B12N](#)