

## Application

- ✓ TV/Video, Audio, Home appliance, Precision apparatus, Automotive, Office equipment, Communication, Musical instruments, Industrial control



## Feature

- ✓ Low profile slide switches available for various fields.

## ■Specification

Operating Temperature Range	-10 °C~70°C
Standard Contact Resistance	25mΩ max.
Operating Life Cycle	10,000 cycles

## ■How to order

SV70050F - 0202 - 6T - N

[Model](#)

Number of Pole & Position  
Ex. 0202 – 2 poles 2 positions


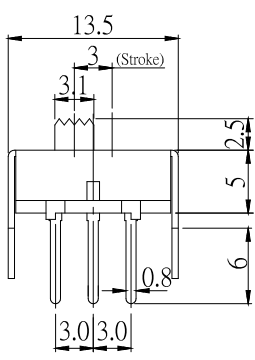
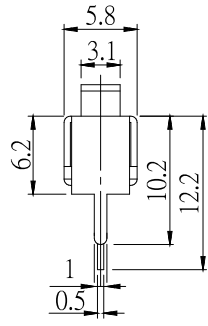
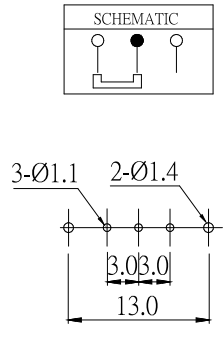
Lever Type

### Timing

Order Code	Description
N	Non-shorting (break-before-make)
F	Free (Undefined)


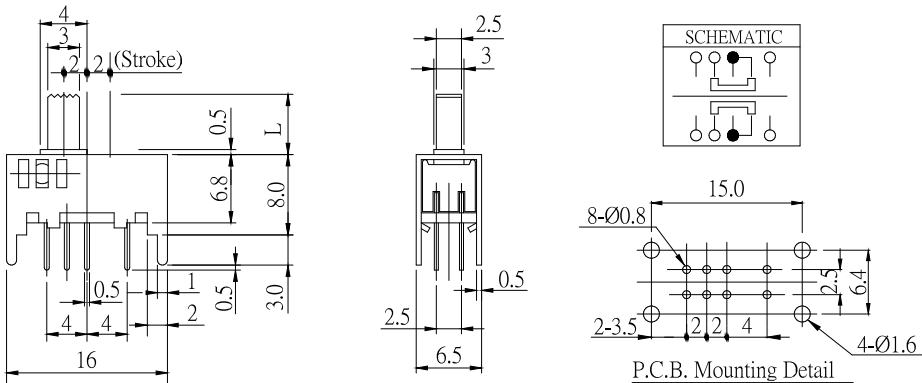
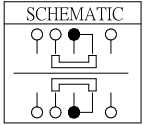

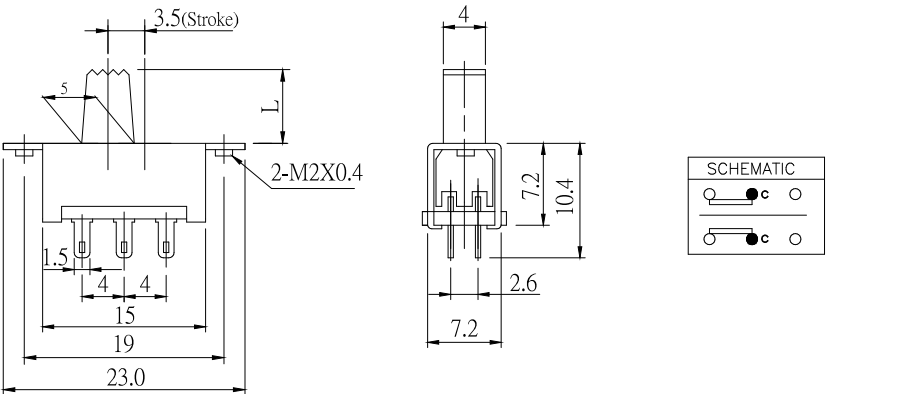
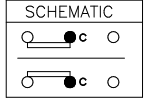

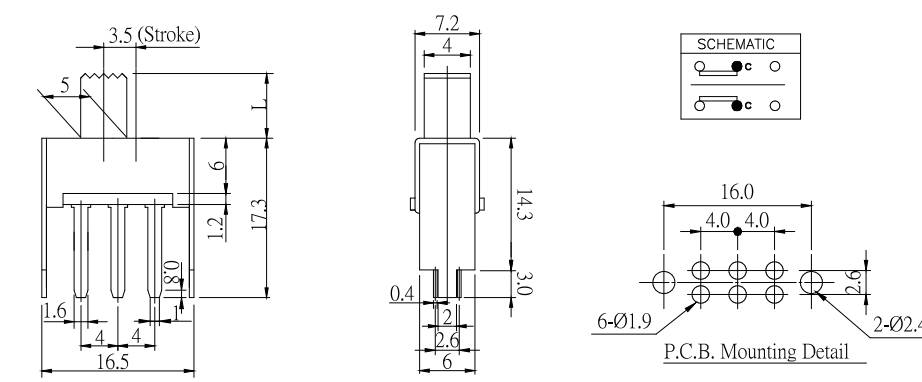
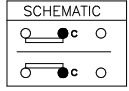
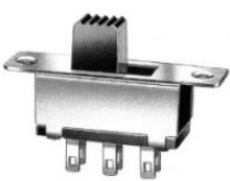
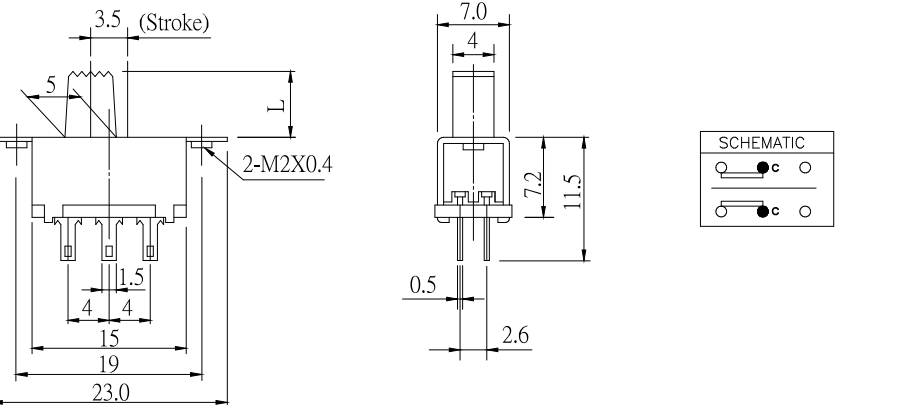
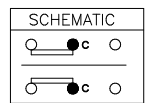
## Model Description

Model	Lever Length	Operating Direction	Rating	Timing
<a href="#">SS57010F-0102</a>	2.5	Vertical	AC125V 0.3A	Non-shorting
<a href="#">SS65010F-0203</a>	4.5, 9	Vertical	DC50V 0.5A	Free
<a href="#">SS70010F-0202</a>	3.5, 4, 5, 6, 7.5, 8.5,	Vertical	AC125V 0.3A	Non-shorting
<a href="#">SS70020F-0202</a>	10, 12, 14	Vertical	AC125V 0.3A	Non-shorting
<a href="#">SS71020F-0203</a>	6, 9	Vertical	AC125V 0.3A	Non-shorting
<a href="#">SS84017F-0403</a>	5.3	Vertical	AC125V 0.3A	Free
<a href="#">SS13010F-0202</a>	0, 8, 10	Vertical	AC125V 0.3A	Non-shorting
<a href="#">SS13010F-0203</a>	8, 10	Vertical	AC125V 0.3A	Non-shorting
<a href="#">SV65020F-0203</a>	6	Horizontal	AC125V 0.3A	Free
<a href="#">SV68010F-0203</a>	4, 6	Horizontal	AC125V 0.3A	Free
<a href="#">SV69010F-0202</a>	4, 6	Horizontal	AC125V 0.3A	Non-shorting
<a href="#">SV70050F-0202</a>	6, 10, 20	Horizontal	AC125V 0.3A	Non-shorting
<a href="#">SV71010F-0202</a>	6	Horizontal	DC30V 0.1A	Non-shorting

Order Code	Outline Drawing
SS57010F-0102-2.5T	   

[Back to top](#)

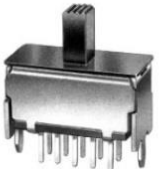
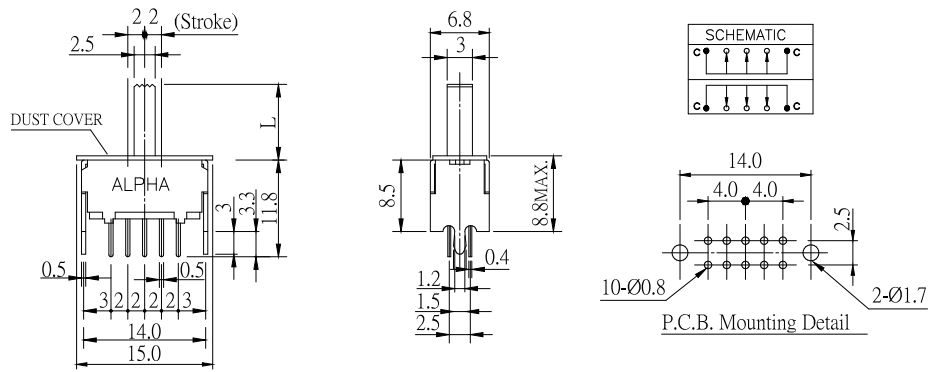
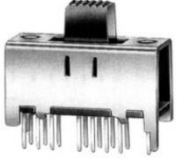
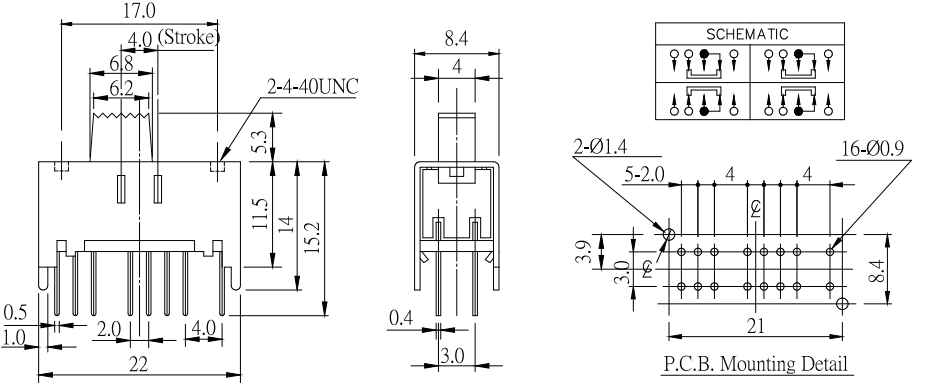
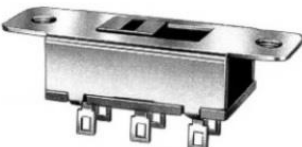
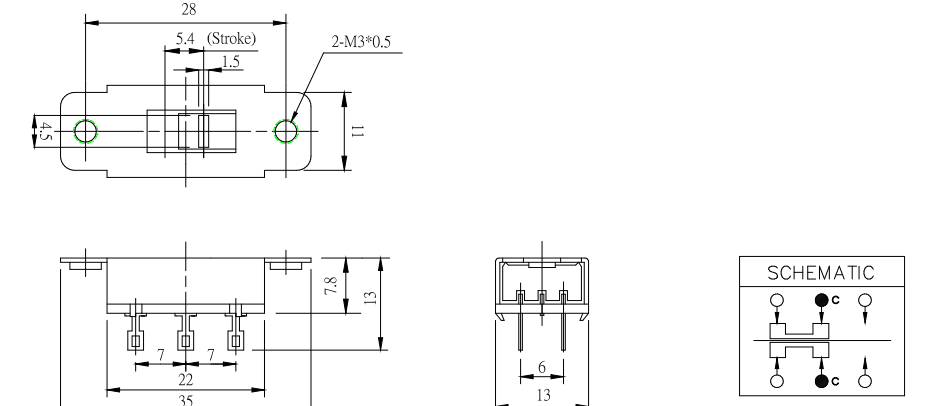
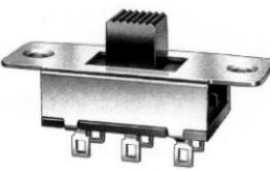
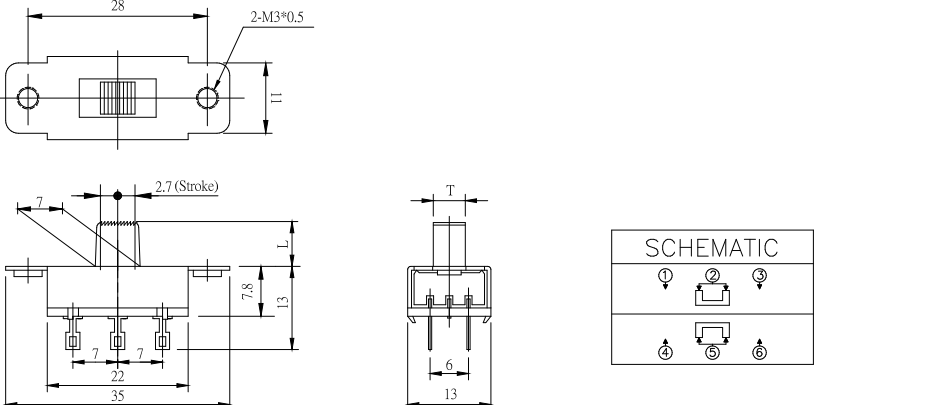
# SLIDE SWITCH

Order Code	Outline Drawing	
SS65010F-0203-□H 	 <p>Dimensions: 4, 3, 2, 2 (Stroke), 0.5, L, 6.8, 8.0, 0.5, 1, 0.5, 3.0, 4, 4, 2, 16, 2.5, 2.5, 3, 0.5, 6.5, 15.0, 8-∅0.8, 2-3.5, 2, 2, 4, 2.5, 6.4, 4-∅1.6, P.C.B. Mounting Detail</p> <p>Schematic: </p>	
SS70010F-0202-□T 	 <p>Dimensions: 3.5 (Stroke), 5, L, 2-M2X0.4, 1.5, 4, 4, 15, 19, 23.0, 4, 7.2, 10.4, 2.6, 7.2</p> <p>Schematic: </p>	
SS70020F-0202-□T-021 	 <p>Dimensions: 3.5 (Stroke), 5, L, 6, 17.3, 1.2, 18.0, 1.6, 4, 4, 16.5, 7.2, 4, 14.3, 3.0, 0.4, 2, 2.6, 6, 16.0, 4.0, 4.0, 2.6, 6-∅1.9, 2-∅2.4, P.C.B. Mounting Detail</p> <p>Schematic: </p>	
SS70010F-0202-□T-011 	 <p>Dimensions: 3.5 (Stroke), 5, L, 2-M2X0.4, 1.5, 4, 4, 15, 19, 23.0, 7.0, 4, 7.2, 11.5, 0.5, 2.6</p> <p>Schematic: </p>	

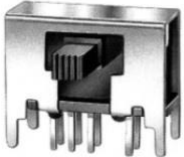
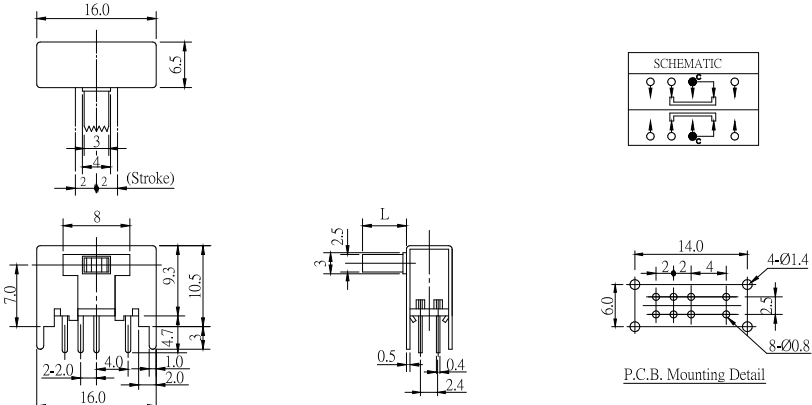
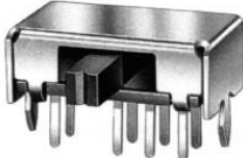
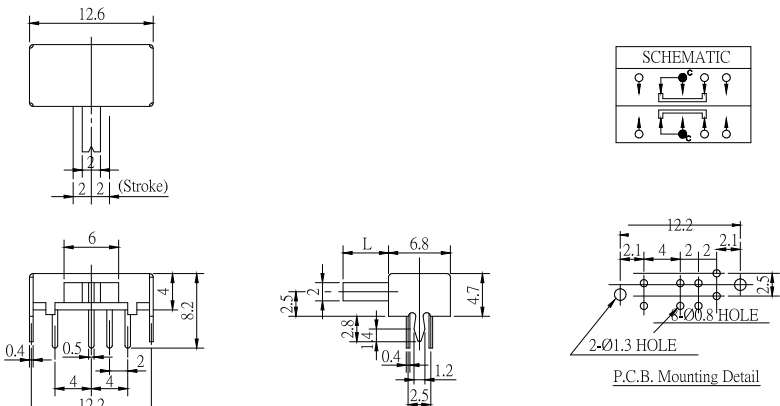

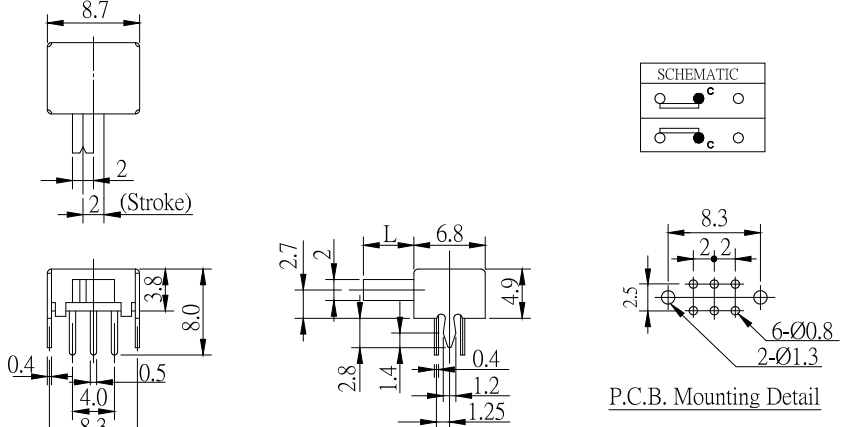

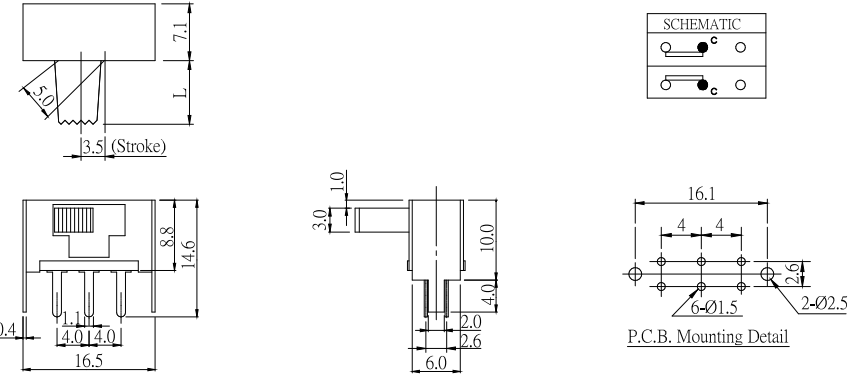
[Back to top](#)

# SLIDE SWITCH


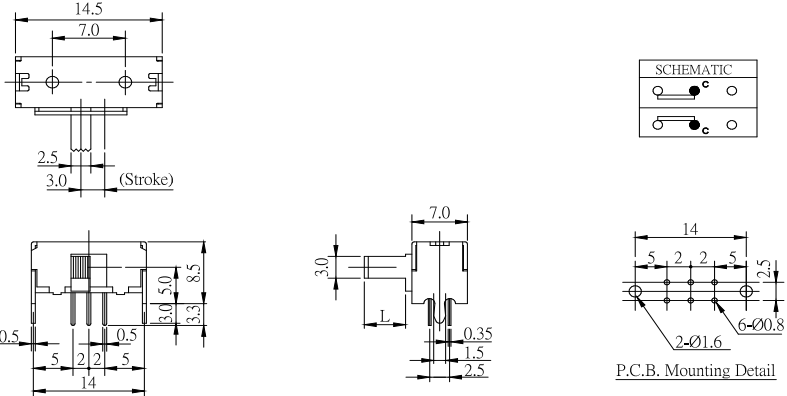


Order Code	Outline Drawing
SS71020F-0203-□T-025 	 <p>2.5 2.2 (Stroke) DUST COVER ALPHA 0.5 3 2 2 2 2 3 14.0 15.0 3 3.3 11.8 L 6.8 3 8.5 8.8MAX. 1.2 0.4 2.5 SCHEMATIC 14.0 4.0 4.0 2.5 10-Ø0.8 2-Ø1.7 P.C.B. Mounting Detail</p>
SS84017F-0403-□T 	 <p>17.0 4.0 (Stroke) 6.8 6.2 2-4-40UNC 5.3 11.5 14 15.2 0.5 1.0 2.0 4.0 22 8.4 4 0.4 3.0 SCHEMATIC 2-Ø1.4 16-Ø0.9 5-2.0 4 4 8.4 3.9 3.0 P.C.B. Mounting Detail</p>
SS13010F-0202-0 	 <p>28 5.4 (Stroke) 1.5 2-M3*0.5 4.5 11 7.8 13 7 7 22 35 SCHEMATIC</p>
SS13010F-0203-□T 	 <p>28 2-M3*0.5 7 2.7 (Stroke) 7.8 13 7 7 22 35 T 6 13 SCHEMATIC</p>

[Back to top](#)

Order Code	Outline Drawing	
SV65020F-0203-□H-01  		
SV68010F-0203-□V  		
SV69010F-0202-□V  		
SV70050F-0202-□T  		

[Back to top](#)

Order Code	Outline Drawing
<p>SV71010F-0202-□T</p> 	 <p>Technical drawings showing dimensions and a schematic diagram. Dimensions include 14.5, 7.0, 2.5, 3.0 (Stroke), 0.5, 5, 2, 5, 14, 3.0, 5.0, 8.5, 3.3, 7.0, 3.0, L, 0.35, 1.5, 2.5, 14, 5, 2, 2, 5, 2.5, 6-Ø0.8, and 2-Ø1.6. A schematic diagram shows the switch in two states (c and e).</p> <p>P.C.B. Mounting Detail</p>

**Design and specifications presented here are for the standard parts only. Please kindly contact us for your special requests and ask for the current technical specifications before purchase and/or use.**

[Back to top](#)

## X-ON Electronics

Largest Supplier of Electrical and Electronic Components

*Click to view similar products for [Slide Switches](#) category:*

*Click to view products by [Alpha Taiwan](#) manufacturer:*

Other Similar products are found below :

[6-1437581-1](#) [M43R](#) [MHS123K15D](#) [MHS133K](#) [MHSS1104A](#) [MMD](#) [GH49S010001](#) [MSS12A](#) [EPS1PC1](#) [1825074-1](#) [1825160-3](#) [1825167-2](#)  
[1825289-7](#) [K232CB](#) [25139NLDB](#) [25449NAH](#) [SLB1240R45](#) [1825078-1](#) [1825080-4](#) [1825269-1](#) [1825270-2](#) [STS141RA04](#) [T2215BEN506](#)  
[GH46P000001](#) [GH46W000001](#) [GH49P010001](#) [25339NA](#) [M42A](#) [TG36P000000](#) [TG36P000050](#) [AYZ0202AG](#) [47227LFE](#) [49331L](#) [50208L](#)  
[L203091MS02Q](#) [4-1437581-7](#) [X2225CR-437W](#) [49329L](#) [1101M1S3ZB8E2](#) [1-1437581-1](#) [MSS2225G04](#) [TG39W000000](#) [1825075-1](#)  
[MSS42G](#) [TG36WS80065](#) [T105S1CWZBE](#) [SLB124145](#) [SLB1280R5](#) [SLB1340R45](#) [25136NLDB](#)