

Application

- ✓ TV/Video, Audio, Home appliance, Precision apparatus, Automotive, Office equipment, Communication, Musical instruments, Industrial control



Feature

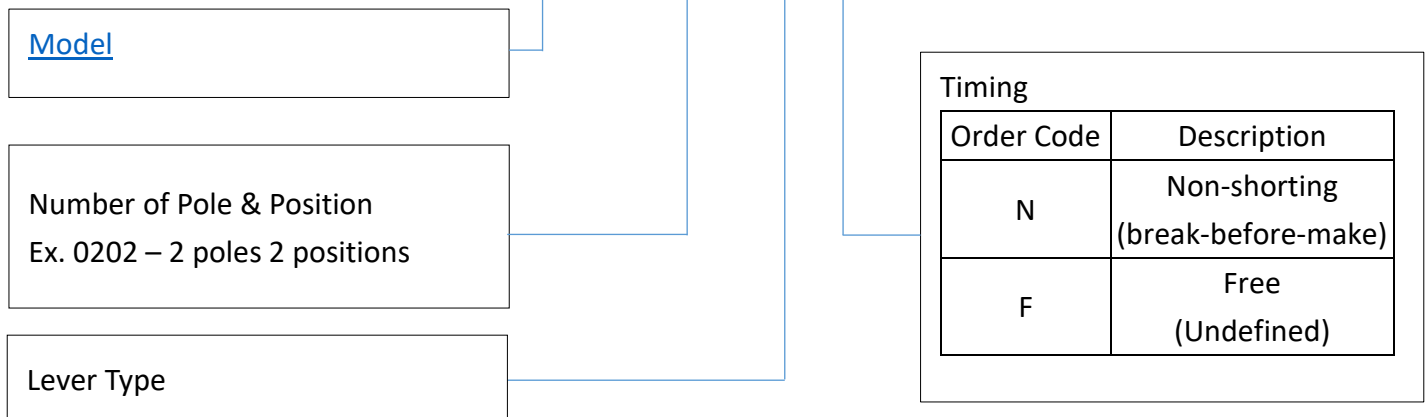
- ✓ Low profile slide switches available for various fields.

■Specification

Operating Temperature Range	-10 °C~70°C
Standard Contact Resistance	25mΩ max.
Operating Life Cycle	10,000 cycles


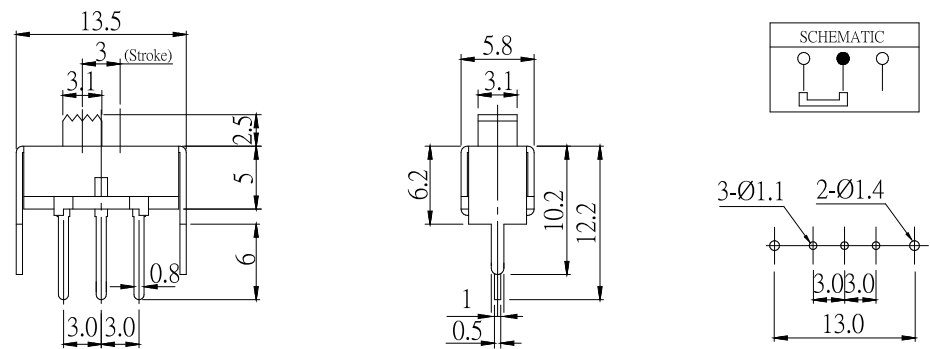

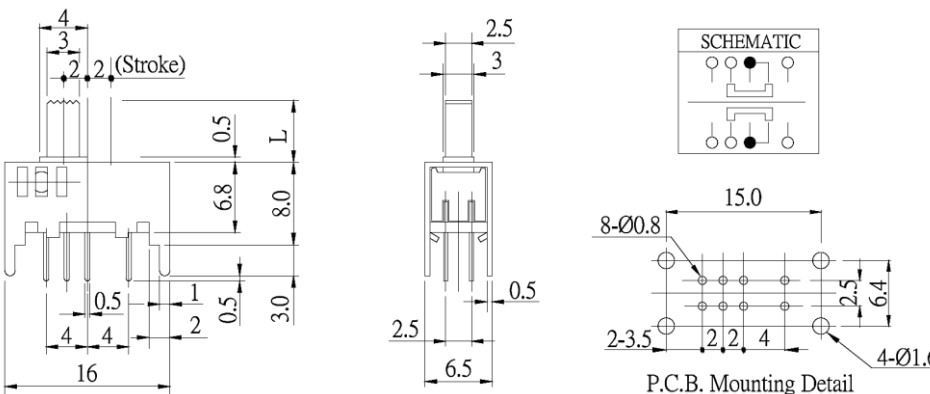
■How to order

SV70050F - 0202 - 6T - N



Model Description

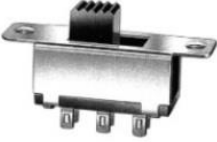
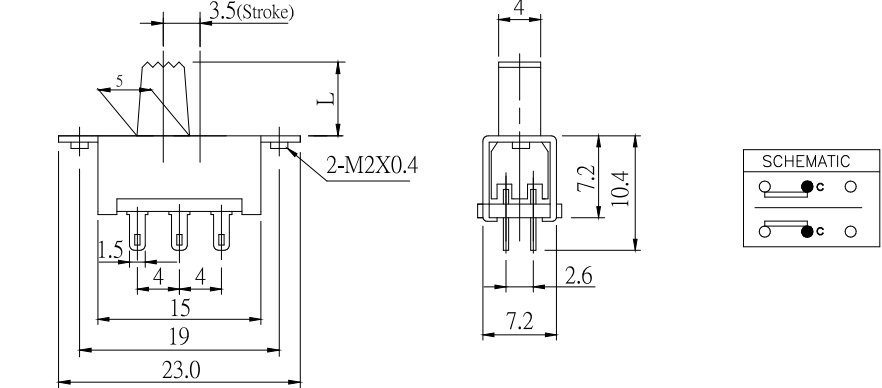

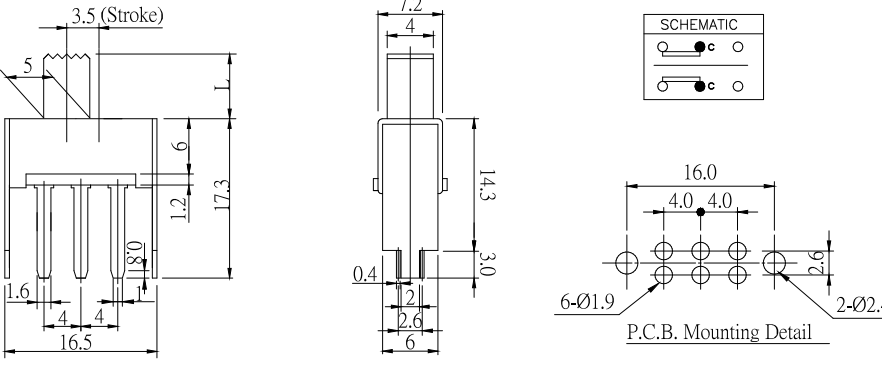
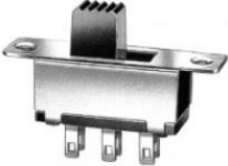
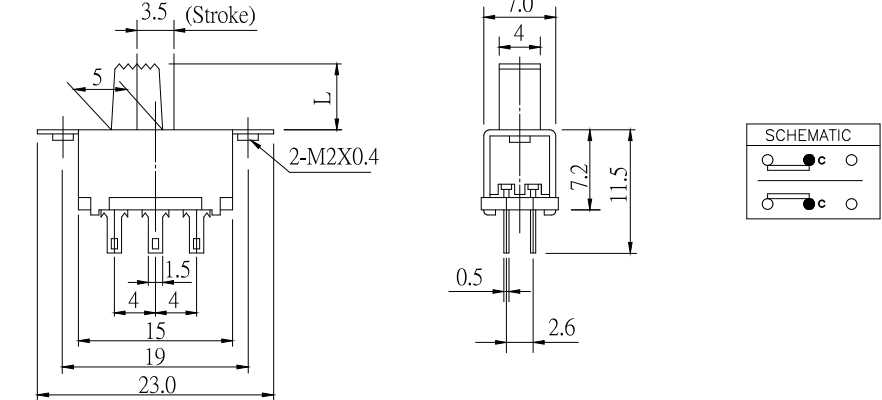
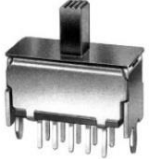
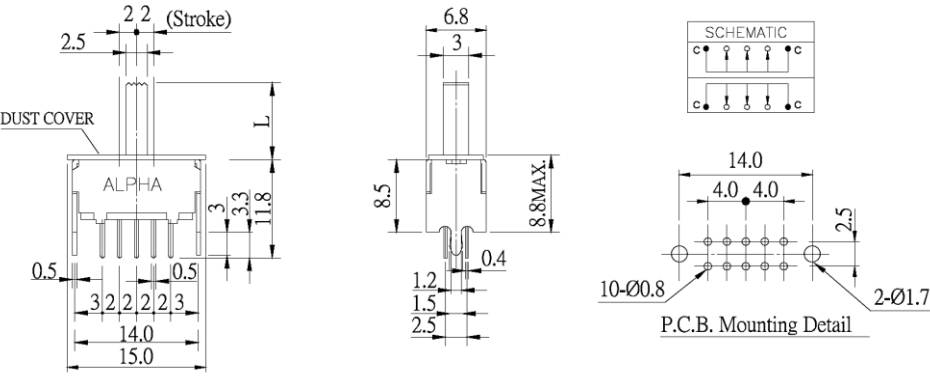
Model	Lever Length	Operating Direction	Rating	Timing
SS57010F-0102	2.5	Vertical	AC125V 0.3A	Non-shorting
SS65010F-0203	4.5, 9	Vertical	DC50V 0.5A	Free
SS70010F-0202	3.5, 4, 5, 6, 7.5, 10,	Vertical	AC125V 0.3A	Non-shorting
SS70020F-0202	12, 14	Vertical	AC125V 0.3A	Non-shorting
SS71020F-0203	6, 9	Vertical	AC125V 0.3A	Non-shorting
SS84017F-0403	5.3	Vertical	AC125V 0.3A	Free
SS13010F-0202	0, 8	Vertical	AC125V 0.3A	Non-shorting
SV65020F-0203	6	Horizontal	AC125V 0.3A	Free
SV68010F-0203	4, 6	Horizontal	AC125V 0.3A	Free
SV69010F-0202	4, 6	Horizontal	AC125V 0.3A	Non-shorting
SV70050F-0202	6, 10, 20	Horizontal	AC125V 0.3A	Non-shorting
SV71010F-0202	6	Horizontal	DC30V 0.1A	Non-shorting

Order Code	Outline Drawing
SS57010F-0102-2.5T 	
SS65010F-0203-□H 	

[Back to top](#)

SLIDE SWITCH

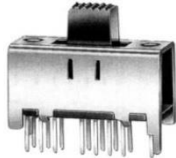
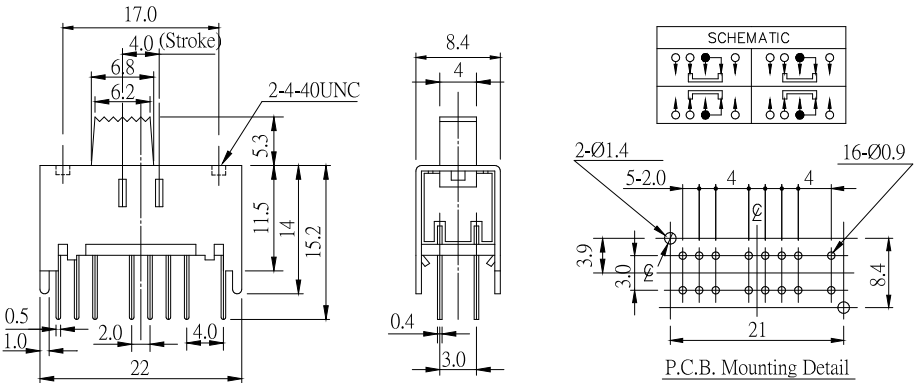
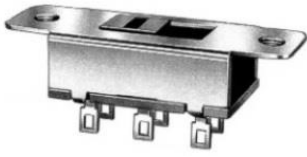
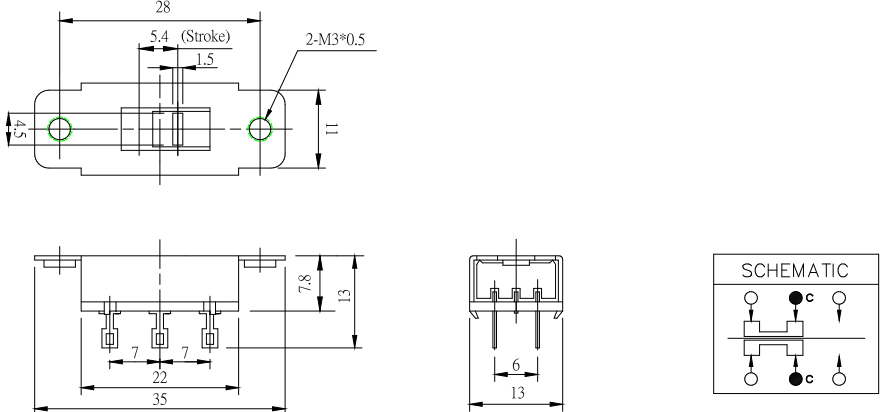
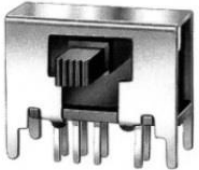
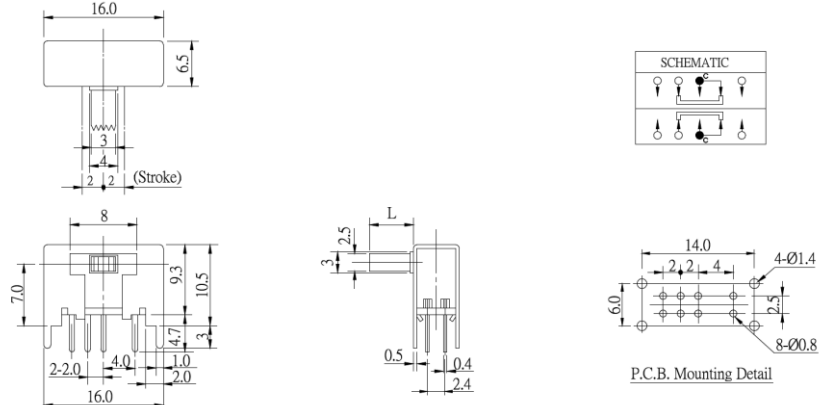
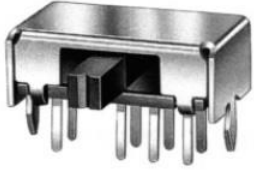
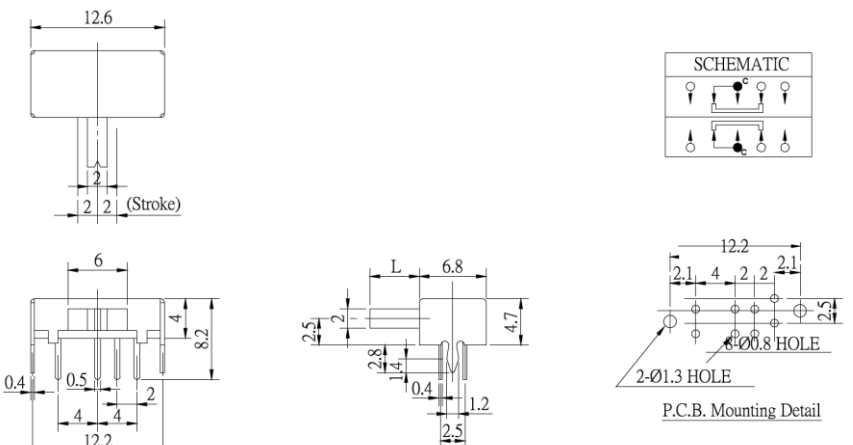


Order Code	Outline Drawing
SS70010F-0202-□T 	
SS70020F-0202-□T-021 	
SS70010F-0202-□T-011 	
SS71020F-0203-□T-025 	


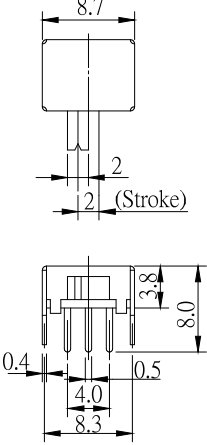
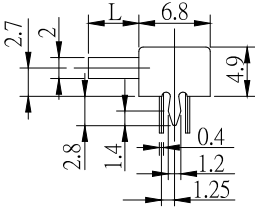
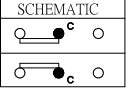
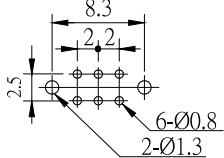

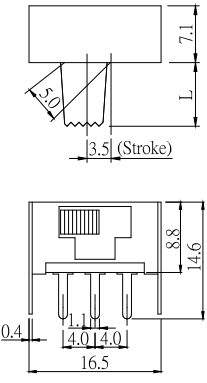
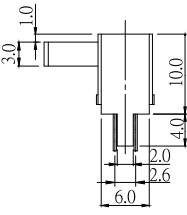
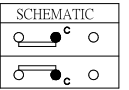
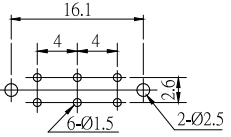

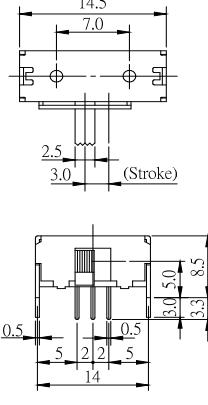
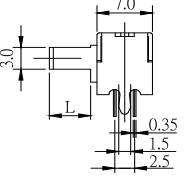
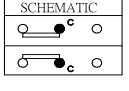
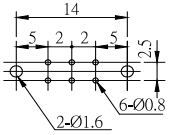
[Back to top](#)

SLIDE SWITCH



Order Code	Outline Drawing
SS84017F-0403-□T 	 <p>Dimensions: 17.0, 4.0 (Stroke), 6.8, 6.2, 2-4-40UNC, 5.3, 8.4, 4, 11.5, 14, 15.2, 0.5, 1.0, 2.0, 4.0, 22, 0.4, 3.0, 2-Ø1.4, 5-2.0, 4, 4, 16-Ø0.9, 3.9, 3.0, 21, 8.4, P.C.B. Mounting Detail</p> <p>SCHMATIC</p>
SS13010F-0202-0 	 <p>Dimensions: 28, 5.4 (Stroke), 1.5, 2-M3*0.5, 4.5, 11, 7.8, 13, 7, 7, 22, 35, 6, 13</p> <p>SCHMATIC</p>
SV65020F-0203-□H-01 	 <p>Dimensions: 16.0, 6.5, 3, 4, 2 (Stroke), 8, 7.0, 9.3, 10.5, 2.5, L, 3, 0.5, 0.4, 2.4, 14.0, 2, 2, 4, 4-Ø1.4, 6.0, 2.5, 8-Ø0.8, P.C.B. Mounting Detail</p> <p>SCHMATIC</p>
SV68010F-0203-□V 	 <p>Dimensions: 12.6, 2, 2 (Stroke), 6, 4, 8.2, 0.4, 0.5, 4, 4, 2, 12.2, 2.5, 2, L, 6.8, 2.8, 1.4, 0.4, 1.2, 2.5, 12.2, 2.1, 4, 2, 2, 2.1, 2.5, 4-Ø0.8 HOLE, 2-Ø1.3 HOLE, P.C.B. Mounting Detail</p> <p>SCHMATIC</p>

[Back to top](#)

Order Code	Outline Drawing		
<p>SV69010F-0202-□V</p> 			<p>SCHMATIC</p>  <p>P.C.B. Mounting Detail</p> 
<p>SV70050F-0202-□T</p> 			<p>SCHMATIC</p>  <p>P.C.B. Mounting Detail</p> 
<p>SV71010F-0202-□T</p> 			<p>SCHMATIC</p>  <p>P.C.B. Mounting Detail</p> 

Design and specifications presented here are for the standard parts only. Please kindly contact us for your special requests and ask for the current technical specifications before purchase and/or use.

[Back to top](#)

X-ON Electronics

Largest Supplier of Electrical and Electronic Components

Click to view similar products for [Slide Switches](#) category:

Click to view products by [Alpha Taiwan](#) manufacturer:

Other Similar products are found below :

[6-1437581-1](#) [M43R](#) [MHS123K15D](#) [MHS133K](#) [MMD](#) [MSS12A](#) [1825074-1](#) [1825160-3](#) [1825167-2](#) [1825289-7](#) [K232CB](#) [25139NLDB](#)
[25449NAH](#) [SLB1240R45](#) [1825078-1](#) [1825080-4](#) [1825269-1](#) [1825270-2](#) [STS141RA04](#) [T2215BEN506](#) [GH46P000001](#) [GH49P010001](#)
[M42A](#) [AYZ0202AG](#) [L203091MS02Q](#) [4-1437581-7](#) [48BFSP3M2QT](#) [1101M1S3ZB8E2](#) [1-1437581-1](#) [EG1218REDACTUATOR](#)
[MSS2225G04](#) [MSS42G](#) [T105S1CWZBE](#) [SLB124145](#) [SLB1280R5](#) [TG39W000050](#) [25149NAH](#) [25439NAH](#) [25436NAH6](#) [TG36Y000050](#)
[NK236X693](#) [SL-1211C1B8](#) [46204LRX](#) [1977143-4](#) [1977144-4](#) [HASS0194](#) [JS0001](#) [SSJ12R04](#) [880092](#) [GR5-1323-0800](#)