

28mm Size Ring Type EC28A Series

| Photo | Dimensions | Mounting Hole Dimensions | Output Wave | Sliding Noise |
 | Packing Specifications | Soldering Conditions |

PRINT

Part number		EC28A1870401	
Actuator length		15mm	
Detent torque		20±10mN · m	
Number of detent		18	
Number of pulse		18	
Operating temperature range		-40°C to +85°C	
Electrical performance	Ratings	10mA 5V DC	
	Output signal	Two phase A and B	
	Max./min. operating current(Resistive load)	10mA/1mA	
	Insulation resistance	100MΩ min. 250V DC	
	Voltage proof	300V AC for 1 minute or 360V AC for 2s	
Mechanical performance	Actuator strength	Pushing direction	100N
		Pulling direction	100N
Durability	Operating life	50,000 cycles	
Minimum order unit (pcs.)	Japan	400	
	Export	800	

3D CAD (STEP) [↓](#)

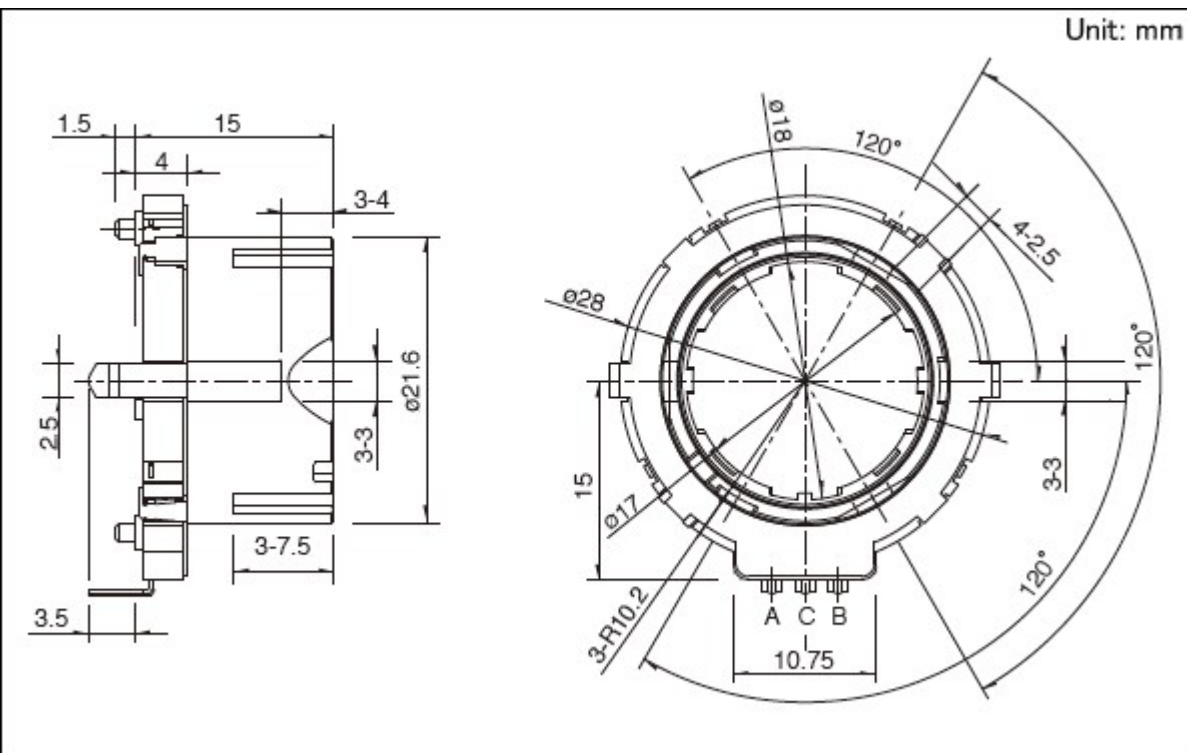
Certificate of Compliance to RoHS regulations [↓](#)

Photo

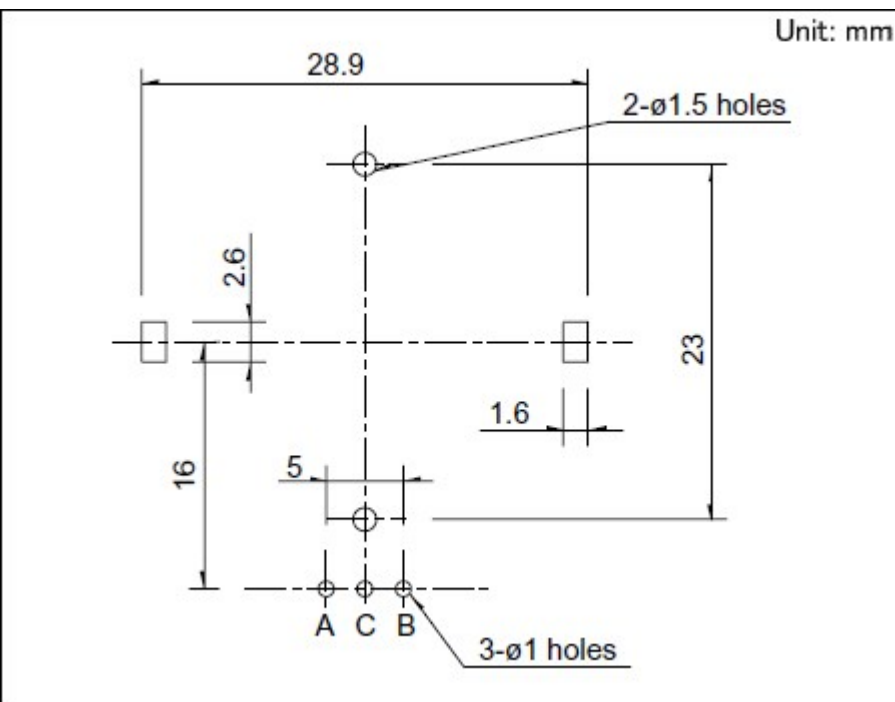




Dimensions



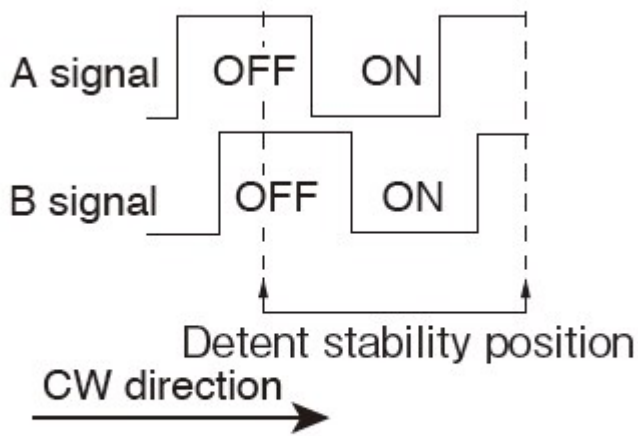
Mounting Hole Dimensions



Viewed from mounting side

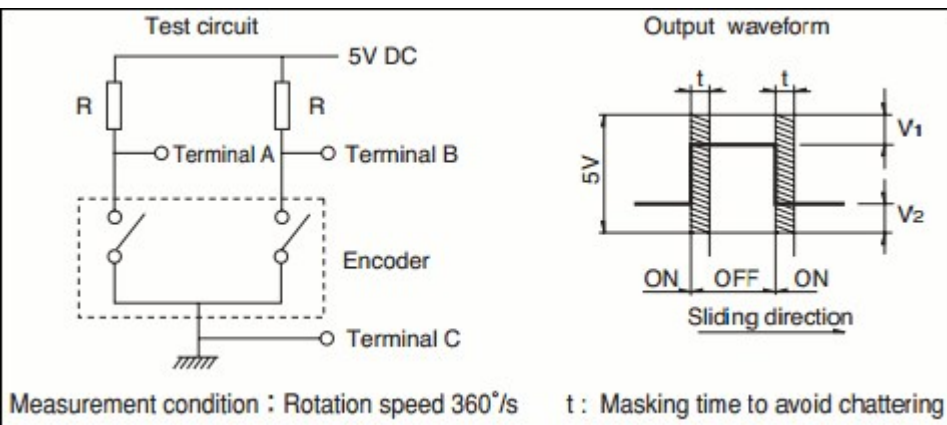
Output Wave





*Signal A and signal B output at detent positions cannot be specified.

Sliding Noise



V₁=V₂=2.5V max.

At R = 5kΩ Chattering : 5ms max. Bounce : 5ms max.

Packing Specifications

Tray

Number of packages (pcs.)	1 case / Japan	400
	1 case / export packing	800
Export package measurements (mm)	366×509×287	

Soldering Conditions

Reference for Dip Soldering

Preheating	Soldering surfacetemperature	100°C max.
	Heating time	2 min. max.
Dip soldering	Soldering temperature	260±5°C
	Soldering time	5±1s

No. of solders	2 time max.
----------------	-------------

Reference for Hand Soldering

Tip temperature	350°C max.
-----------------	------------

Soldering time	3s max.
----------------	---------

No. of solders	1 time
----------------	--------

Notes are common to this series/models.

1. This site catalog shows only outline specifications. When using the products, please obtain formal specifications for supply.
2. Please place purchase orders per minimum order unit (integer).
3. This products can be used in vehicles.
Although these products are designed to perform over a wide operating temperature range, please ensure that you receive and read the formal delivery specifications before use.

Inquiries about Products

 **Inquiry**

X-ON Electronics

Largest Supplier of Electrical and Electronic Components

Click to view similar products for [Encoders](#) category:

Click to view products by [ALPS](#) manufacturer:

Other Similar products are found below :

[6-1393048-0](#) [6-1393048-5](#) [62B22-LP-030C](#) [63K25](#) [63K32](#) [63KS100](#) [63KS64](#) [63R100](#) [63R50-020](#) [63RS256-060](#) [700-09-36](#) [RE12D300-201-1](#) [1393047-3](#) [T101-5C2-111-M1](#) [T101-5C3-111-M1](#) [T101-5C4-111-M1](#) [385001M0439](#) [385001M0216](#) [V23401T8002B802](#) [E69-1E69DF10](#) [E69-FCA](#) [62B11-LP-100S](#) [62N11-P](#) [62S22-H9-120S](#) [62S30-L0-200C](#) [62V15-02-080S](#) [63K64](#) [63KS100-040](#) [63R64-050](#) [63RS64700-16-16](#) [V23401D3002B301](#) [3-1393048-1](#) [63KS128](#) [1-1879391-5](#) [GH65C11-N-SO](#) [62S15-M0-P](#) [63R64](#) [1393047-1](#) [E69-FCA02](#) [E69-FCA04](#) [E69-DF20](#) [E69-DF2](#) [63R50](#) [62F01-02-060S](#) [63RS50](#) [62B22-SPP-040S](#) [62B22-SPP-P](#) [62C1122-01-P](#)