

[Dimensions](#) | [Mounting Hole Dimensions](#) | [Output Wave](#) | [Sliding Noise](#) | [Packing Specifications](#) | [Soldering Conditions](#)

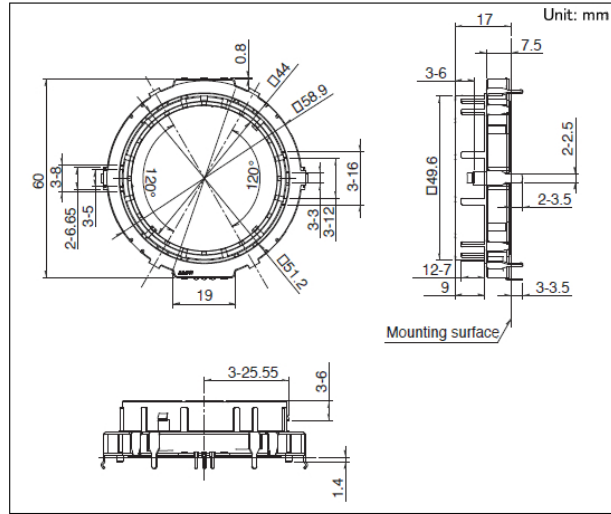


Part number
EC60B1520402 [Series Common Info](#)

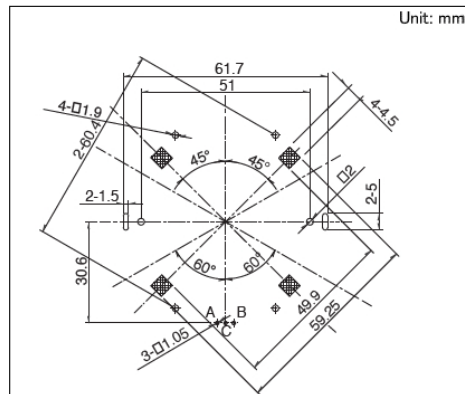
[NET SHOP](#) [3D CAD](#)
[RoHS](#) [Print](#)
[Inquiry](#)

Actuator length			17mm
Detent torque			40±10mN·m
Number of detent			30
Number of pulse			15
Operating temperature range			-40°C to +85°C
Electrical performance	Ratings	10mA 5V DC	
	Output signal	Two phase A and B	
	Insulation resistance	100MΩ min. 250V DC	
	Voltage proof	300V AC for 1 minute or 360V AC for 1s	
Mechanical performance	Actuator strength	Pushing direction	100N
		Pulling direction	100N
Durability	Operating life	40,000 cycles	
Minimum order unit (pcs.)	Japan	200	
	Export	200	

Dimensions

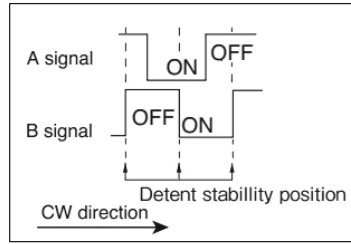


Mounting Hole Dimensions

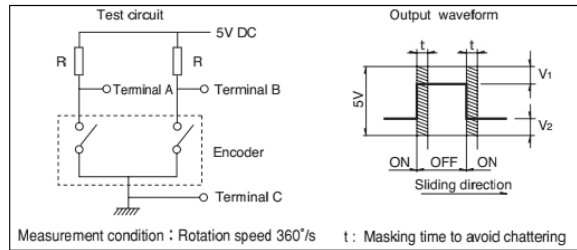


Viewed from mounting side
Wiring prohibited on hatched area

Output Wave



Sliding Noise



Packing Specifications

Tray

Number of packages (pcs)	1 case / Japan	200
	1 case / export packing	200
Export package measurements (mm)		540×360×270

Soldering Conditions

Reference for Dip Soldering

Preheating	Soldering surfacetemperature	100°C max.
	Heating time	2 min. max.
Dip soldering	Soldering temperature	260±5°C
	Soldering time	5±1s
No. of solders		2 time max.

Reference for Hand Soldering

Tip temperature	350°C max.
Soldering time	3s max.
No. of solders	1 time

Notes are common to this series/models.

1. This site catalog shows only outline specifications. When using the products, please obtain formal specifications for supply.
2. Please place purchase orders per minimum order unit (integer).
3. This products can be used in vehicles.
Although these products are designed to perform over a wide operating temperature range, please ensure that you receive and read the formal delivery specifications before use.

Inquiries about Products



X-ON Electronics

Largest Supplier of Electrical and Electronic Components

Click to view similar products for [Encoders](#) category:

Click to view products by [ALPS](#) manufacturer:

Other Similar products are found below :

[6-1393048-0](#) [6-1393048-5](#) [62B22-LP-030C](#) [63K25](#) [63K32](#) [63KS100](#) [63KS64](#) [63R100](#) [63R50-020](#) [63RS256-060](#) [700-09-36](#) [RE12D300-201-1](#) [1393047-3](#) [T101-5C2-111-M1](#) [T101-5C3-111-M1](#) [T101-5C4-111-M1](#) [385001M0439](#) [385001M0216](#) [V23401T8002B802](#) [E69-1E69DF10](#) [E69-FCA](#) [62B11-LP-100S](#) [62N11-P](#) [62S22-H9-120S](#) [62S30-L0-200C](#) [62V15-02-080S](#) [63K64](#) [63KS100-040](#) [63R64-050](#) [63RS64700-16-16](#) [V23401D3002B301](#) [3-1393048-1](#) [63KS128](#) [1-1879391-5](#) [GH65C11-N-SO](#) [62S15-M0-P](#) [63R64](#) [1393047-1](#) [E69-FCA02](#) [E69-FCA04](#) [E69-DF20](#) [E69-DF2](#) [63R50](#) [62F01-02-060S](#) [63RS50](#) [62B22-SPP-040S](#) [62B22-SPP-P](#) [62C1122-01-P](#)