

# DATA SHEET

# HSPPAD042A

**ALPSALPINE ALPSALPINE CO., LTD.**

HEAD OFFICE  
1-7, YUKIGAYA-OTSUKA-MACHI, OTA-KU, TOKYO, 145-8501, JAPAN  
PHONE +81(3)3726-1211 FAX +81(3)3728-1741  
NAGAOKA PLANT  
1-3-5, HIGASHITAKAMI-MACHI, NAGAOKA-CITY, NIIGATA-PREF, 940-0006, JAPAN  
PHONE +81 258-24-4111 FAX +81 258-24-4110

This specification is subject to change without notice.

**History of Revision**

Datasheet Rev.	Date	Note
00	Jan/11/2019	Draft
01	Sep/10/2019	P15, P16:Sample Flow chart revised.

**CONTENTS**

1. OVERVIEW	4
2. FEATURES	4
3. ABSOLUTE MAXIMUM RATINGS	5
4. ELECTRICAL CHARACTERISTICS	5
5. POWER UP AND DOWN SEQUENCE	6
6. BLOCK DIAGRAM	6
7. MODES	7
7.1 Register Action Mode	8
7.2 Continuous Measurement Mode	8
7.3 Command Action Mode	9
8. FUNCTIONS	10
8.1 FIFO	10
8.2 Averaging	11
8.3 CIC Filter	12
8.4 Software Reset	12
8.5 Flag Function	13
9. SAMPLE FLOW CHART	15
9.1 Continuous mode	15
9.2 Command Action mode	16
10. TYPICAL REGISTER SETTING	17
11. INTERFACE SPECIFICATIONS	18
11.1 I2C Slave Interface	18
11.2 SPI Interface	19
12. REGISTER MAP	22
13. REGISTER DESCRIPTION	23
14. MECHANICAL INFORMATION	28
14.1 Pin Layout	28
14.2 Package Dimension	28
14.3 Recommended Land Pattern	29
14.4 Tape and Reel drawing	29
14.5 Carton Packing	30
15. CONNECTION EXAMPLE	31
15.1 I2C	31
15.2 SPI	31
16. LEGAL DISCLAIMER	32

**1. OVERVIEW**

HSPPAD042A is the 2.0x2.5mm footprint and 0.9mm height digital interface barometric pressure sensor. Barometric pressure is detected by MEMS sensor element using piezo resistive bridge circuit formed on the silicon diaphragm. The sensor element is connected to ASIC for signal conditioning. ASIC has 17-bit ADC and temperature compensation capability. The ASIC output compensated pressure values. In addition to the compensation, this product supports averaging and filtering for lower noise, and FIFO function. I2C and SPI interface are prepared for communication.

**2. FEATURES**

- Pressure Range 300 to 1100 hPa ( +9000m to -500m in altitude )
- Supply Voltage 1.7 to 3.6 V (Typical 1.8V)
- Operating Temperature -40 to +85 °C
- Package Small LGA Package: 2.0mm x 2.5mm x 0.9mm
- Digital interface I2C and 4-wire SPI mode 3
- Current Consumption 1.8uA (Low power setting)
- Noise RMS 0.013hPa (High resolution setting)
- Sampling rate 200Hz max (Continuous mode)
- Lead free, RoHS instruction, Halogen free conforming

**3. ABSOLUTE MAXIMUM RATINGS**
**Table 1 : Absolute maximum ratings**

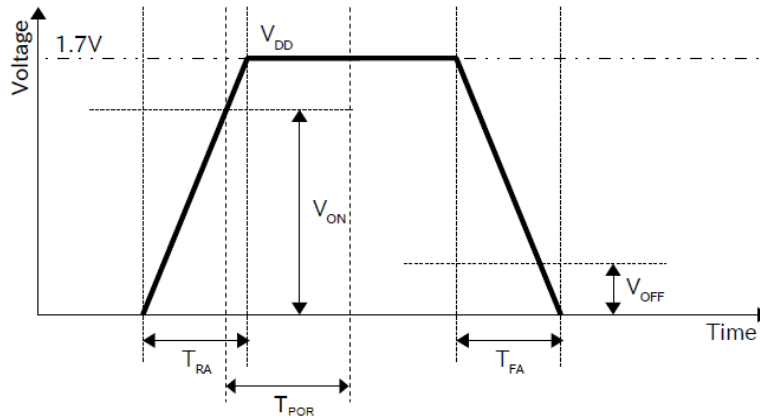
Item	Symbol	Unit.	Specification			Notes
			min.	Typ.	max.	
Max supply voltage	VDD	[V]	-0.5	-	4.0	-
Max load pressure	Pmax	[hPa]	-	-	30000	-
Storage temperature	Tstg	[°C]	-40	-	+125	-
ESD	HBM	[V]	-	-	2000	-

**4. ELECTRICAL CHARACTERISTICS**
**Table 2 : Electrical Characteristics**

Item	Symbol	Unit	Specification			Notes
			min.	Typ.	max.	
Operating temperature	Topr	[°C]	-40		+85	
Pressure range	Popr	[hPa]	300		1100	
Supply voltage	VDD	[V]	1.7	1.8	3.6	
Current consumption	IDD	[uA]		1.8		@1Hz sampling, Low power setting, 25°C
Standby current		[uA]		0.1		T=25°C
Pressure RMS noise		[hPa]		0.030		Low power setting
		[hPa]		0.013		High resolution setting
Maximum measurement rate		[Hz]		200		Continuous mode
Pressure resolution		[LSB/hPa]		100		
Pressure absolute accuracy		[hPa]		±0.7		300 to 1100hPa 0 to 85°C
Pressure relative accuracy		[hPa]		±0.05		900-1000hPa 25°C
Solder drift		[hPa]	-2.0		+0.5	
Long term drift		[hPa]		±0.5		12 months

**5. POWER UP AND DOWN SEQUENCE**

Power up and down sequence must be followed the specification in the table 3.



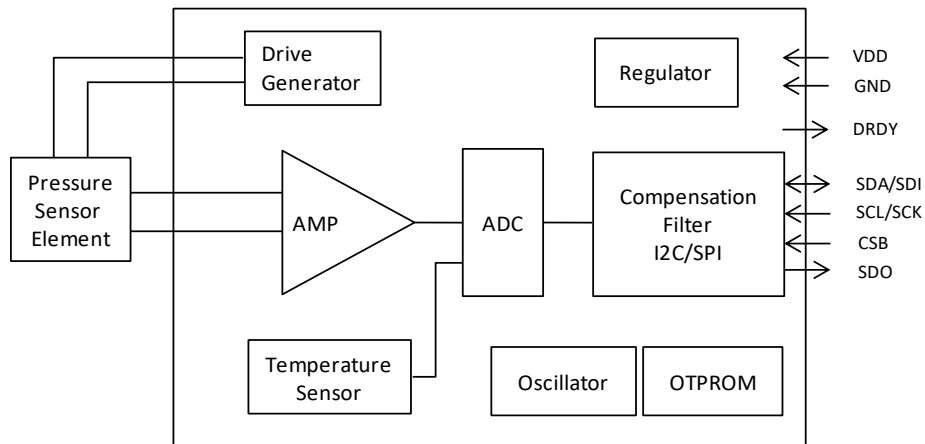
**Fig. 1 : Power up and down sequence**

**Table 3 : Power up and down specifaion**

Items	Symbol	Min	Typ	Max	Unit
ON voltage	$V_{ON}$	-	-	1.6	V
OFF voltage	$V_{OFF}$	0.5	-	-	V
Rise time	$T_{RA}$	0.1	-	2.0	mS
Fall time	$T_{FA}$	0.1	-	2.0	mS
POR time	$T_{POR}$	-	-	2.2	mS
OFF time	$T_{OFF}$	100	-	-	mS

Until POR is done, register access from host device is ignored. POR will take 2.2msec after VDD reaches ON voltage. Consecutive power on after VDD sink below  $V_{OFF}$ , must wait  $T_{OFF}$  to perform POR correctly.

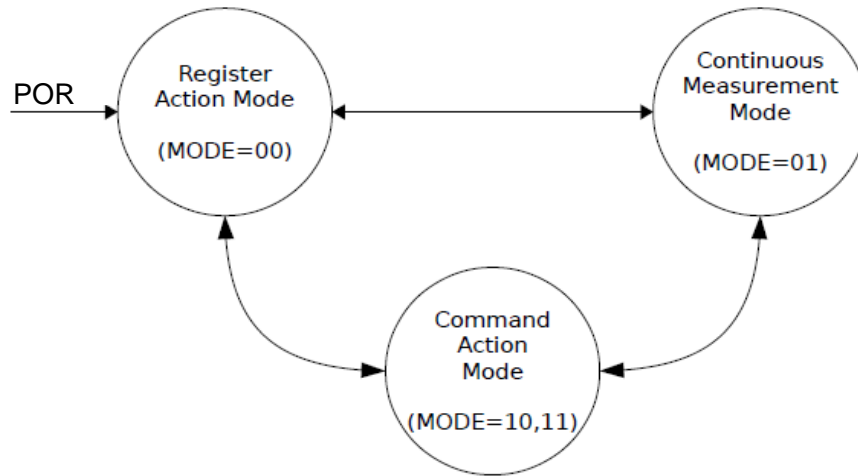
**6. BLOCK DIAGRAM**



**Fig. 2 : Block Diagram**

**7. MODES**

Mode transition diagram is shown below. Mode can be set by CTL1.MODE[1:0] in Register 0x0F. After POR or Software reset, mode is set to Register Action Mode.



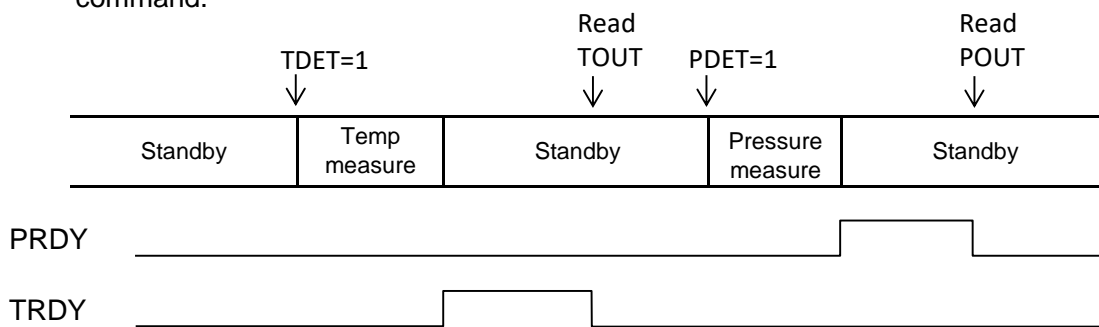
**Fig. 3 : Mode transition**

**Table 4 : Mode setting**

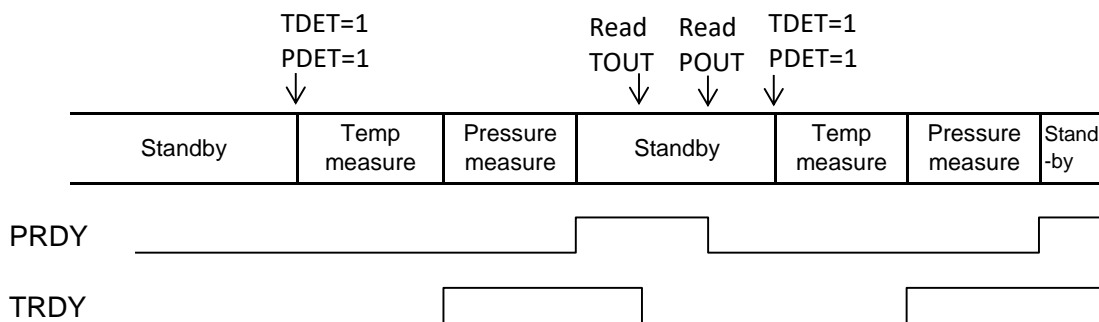
CTL2.MODE	Measurement Mode	Notes
00	Register Action Mode	Execute measurement by accessing Register ACTL1.
01	Continuous Measurement Mode	Automatically repeat measurement by specified frequency
10 or 11	Command Action Mode	Execute measurement by receiving Action Commands

**7.1 Register Action Mode**

Register Action Mode allows access to ACTL1 and execute each functions by setting "1" for each bit. Temperature measurement and Pressure measurement is performed by setting TDET and PDET to 1, respectively. When TDET and PDET are set to "1" at the same time, Temperature measurement is done, followed by Pressure measurement. If the PDET is performed independently, the latest temperature data is used for pressure data compensation. Temperature data is stored into register address 0x09 and 0x0A, and compensated pressure data is in 0x04 to 0x06. After data store, TRDY and PDRY in STAT register is changed to "1", and TDET and PDET back to "0". TDET and PDET are accessible during measurement, but they will be effective after the measurement. Only PDRP is effective right away. After measurement, device goes to stand-by state and minimizes current consumption, then waiting for next command.



**Fig. 4 : Timing chart in Register Action Mode (PDET and TDET are executed individually)**



**Fig. 5 : Timing chart in Register Action Mode (PDET and TDET are executed at same time)**

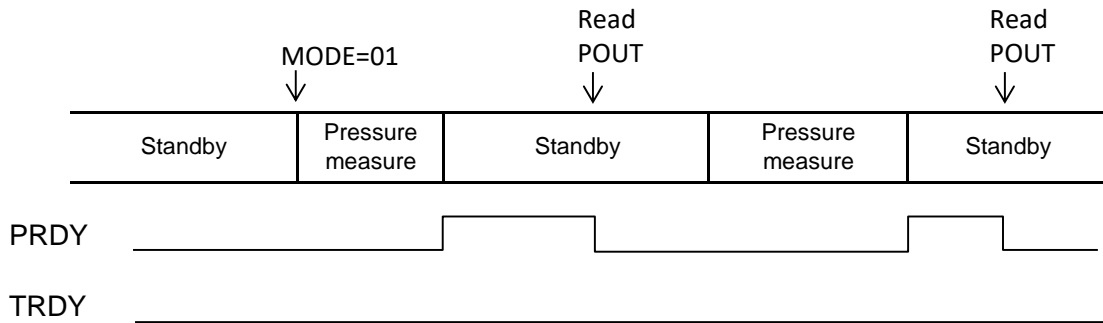
**7.2 Continuous Measurement Mode**

Continuous Measurement Mode executes measurement with specified frequency by CTL2.ODR. In order to move into this mode, CTL2.PMES must be set "1". Measurement is started immediately after mode transition and following measurement is repeated. In this mode, regulator will not be inactive in standby period and keeps consuming current. If ODR is changed in this mode, new measurement will be performed immediately and repeat following measurement. However, ODR change is done in measurement period, new measurement will start right after the measurement finished.

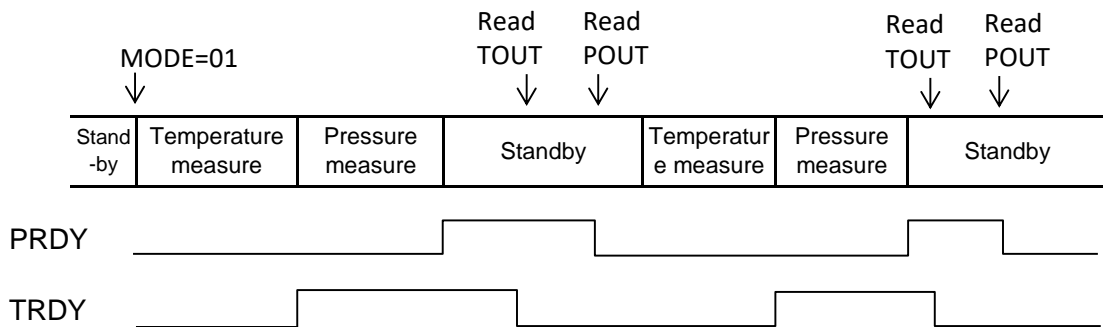


**Table 5 : ODR and Sampling frequency**

ODR	Sampling Frequency	Sampling Period
00	1Hz	1000ms
01	10Hz	100ms
10	100Hz	10ms
11	200Hz	5ms



**Fig. 6 :Timing chart in Continuous Measurement Mode (PMES=1, TMES=0)**



**Fig. 7 :Timing chart in Continuous Measurement Mode (PMES=1, TMES=1)**

**7.3 Command Action Mode**

In Command Action Mode, several functions are performed by write access the register address. Each actions are the same with setting "1" at same bit name in ACTL1 and ACTL2 in Register Action Mode.

**Table 6 : Action Commands**

Address	Name	Function
20h	PDET	Perform pressure measurement
22h	TDET	Perform temperature measurement
26h	SRST	Perform software reset
29h	PTDET	Perform pressure and temperature measurement

**8. FUNCTIONS**

**8.1 FIFO**

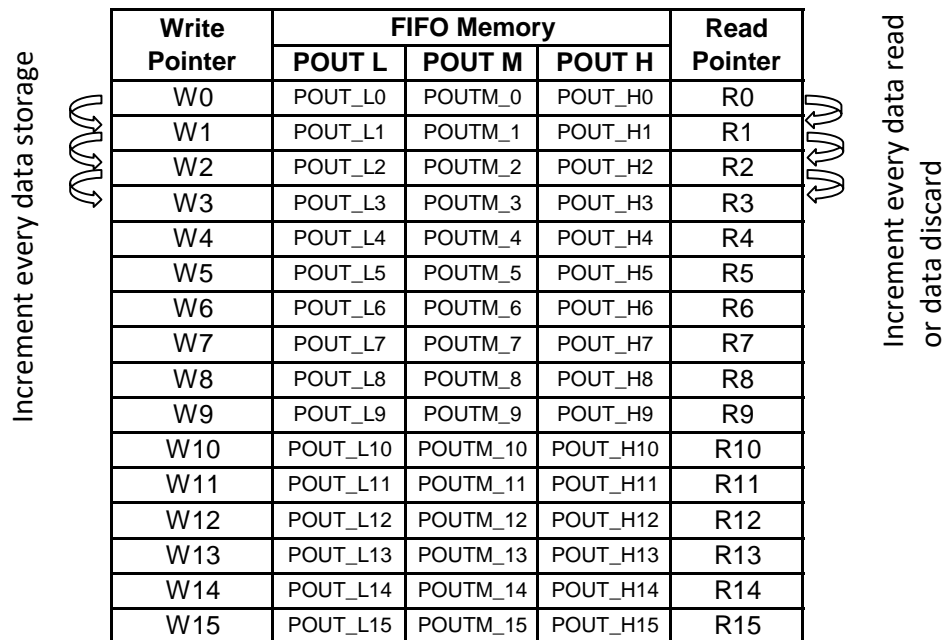
There are 16 steps FIFO for Pressure read data. FIFO function can be enabled by setting FCTL.FFEN=1.

**Table 7 : FCTL.FFEN setting**

FCTL.FFEN	Description
0	FIFO disabled
1	FIFO enabled

Write pointer is incremented when the sensor data is stored into FIFO memory, and next data is stored to next register. Read Pointer is incremented when the sensor data is read.

Number of stored data is indicated by FFST.FP, if the FP (FIFO Pointer) is greater or equal to WMT (Water Mark Pointer) then FFST.FFEV becomes "1". All 16 steps FIFO memory are filled by the sensor data, the most oldest data is discarded and Read Pointer is incremented. All data in FIFO memory is discarded when FFEN is set to "0".



**8.2 Averaging**

**Table 8 : AVCL.AVG setting**

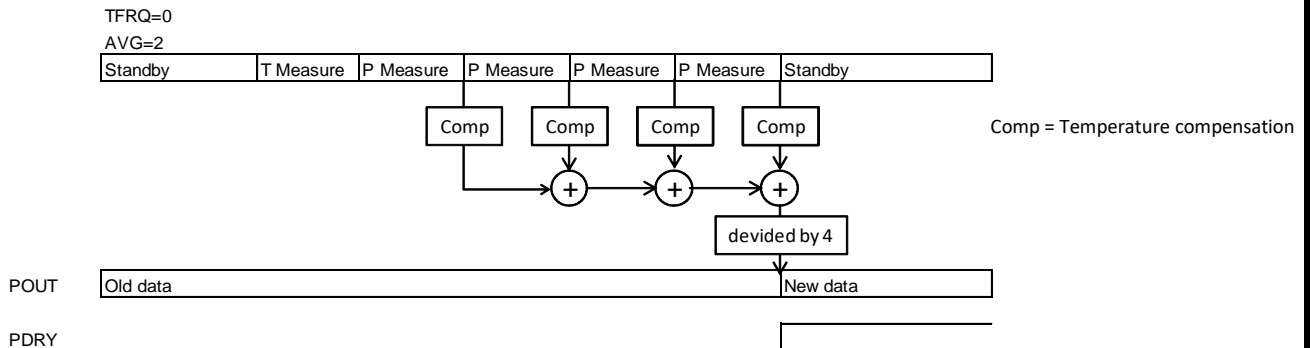
AVCL.AVG	Number of data to average	
	Register Action and Command Action Mode	Continuous Mode
000	no average	no average
001	x 2	x 2
010	x 4	x 4
011	x 8	x 8
100	x 16	x 16
101	x 32	x 16
110	x 64	x 16
111	x 128	x 16

**Table 9 : AVCL.TFRQ setting**

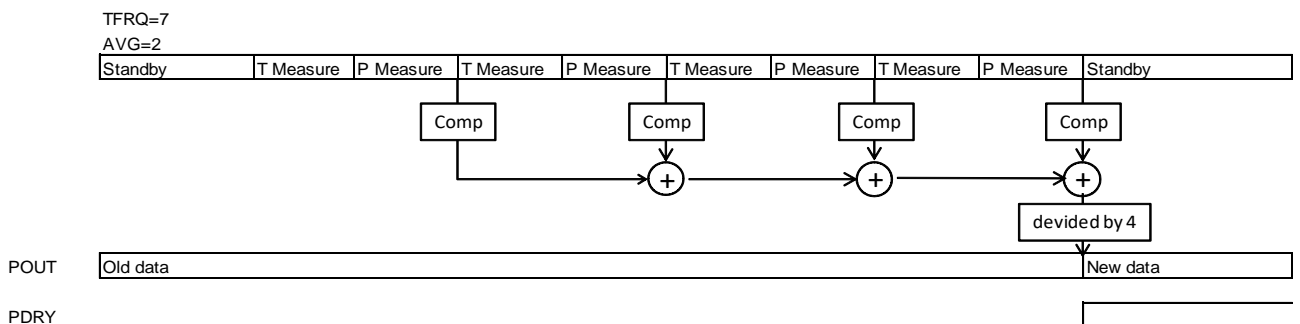
000	Once before first pressure measurement
001	Once every 64 pressure measurement
010	Once every 32 pressure measurement
011	Once every 16 pressure measurement
100	Once every 8 pressure measurement
101	Once every 4 pressure measurement
110	Once every 2 pressure measurement
111	Every time

**8.2.1 In Register Action Mode and Command Action Mode**

Averaging function can be activated by setting AVCL.AVG. In Register Action Mode and Command Action mode, simple average is calculated. Measurement is performed after the command PDET is issued. Temperature is measured by specified frequency by AVCL.TFRQ. The measurement repeats until specified number of data is collected. Each data are temperature compensated with the latest temperature data. Then, average is calculated and the result is stored into POUT.



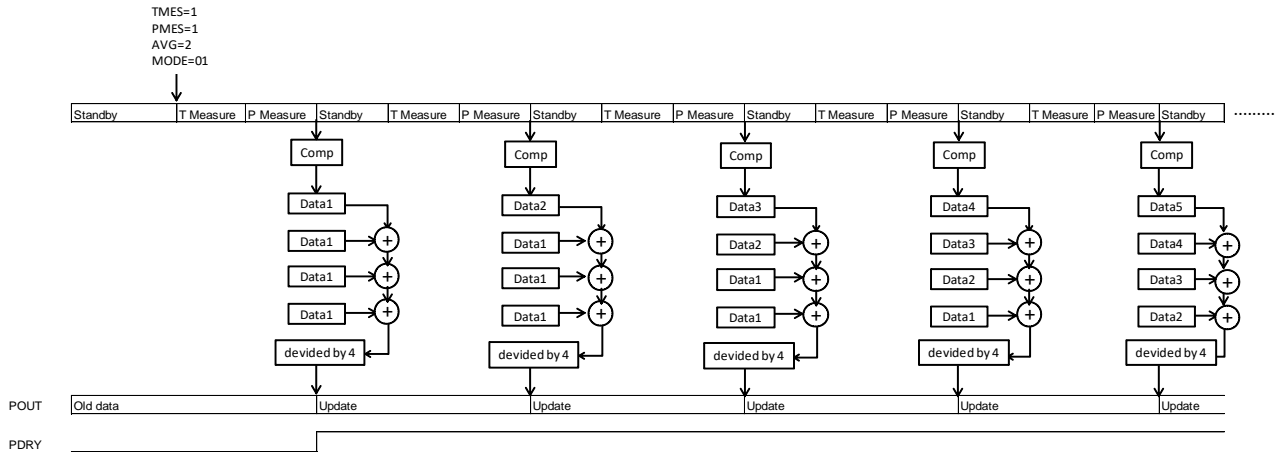
**Fig. 8 Average calculation (TFRQ=0, AVG=2)**



**Fig. 9 Average calculation (TFRQ=07 AVG=2)**

**8.2.2 In Continuous Mode**

In Continuous Mode, moving average is calculated. Set CTL2.MODE=01 with AVCL.AVG>0, periodical measurement is started. Average is calculated when every measurement is done and the result is stored into POUT. Moving average can update averaged data at every measurement, so sampling rate won't be compromised. When first few measurement, number of data is not sufficient to specified average number, in this case necessary data is supplemented by initial data.



**Fig. 10 Moving Average calculation**

**8.3 CIC Filter**

Digital output data from  $\Delta\Sigma$ ADC is processed at CIC filter in the digital block. Number of TAP can be specified at CTL1.PTAP. Output data accuracy is increased by larger number of TAP, however, current consumption is increased too. This TAP setting is effective to pressure reading only and fixed for temperature.

**Table 10 : CTL1,PTAP setting**

PTAP	Name	Tap count	Pressure Measurement time
00	Ultra Low Power	32	260 uS
01	Low Power	64	356 uS
10	High Accuracy	128	548 uS
11	Ultra Accuracy	256	932 uS

Measurement time is typical value and not guaranteed. Temperature measurement time (80uS) is not included.

**8.4 Software Reset**

Software reset is performed by setting ACTL2.SRST to "1" or send action command SRST. Once software reset command is detected, digital regulator is disabled and all register values are reset. Then transfer to Register Action Mode and Standby state. After Software reset command, command can not be received for 2.2msec to complete POR.

**8.5 Flag Function**

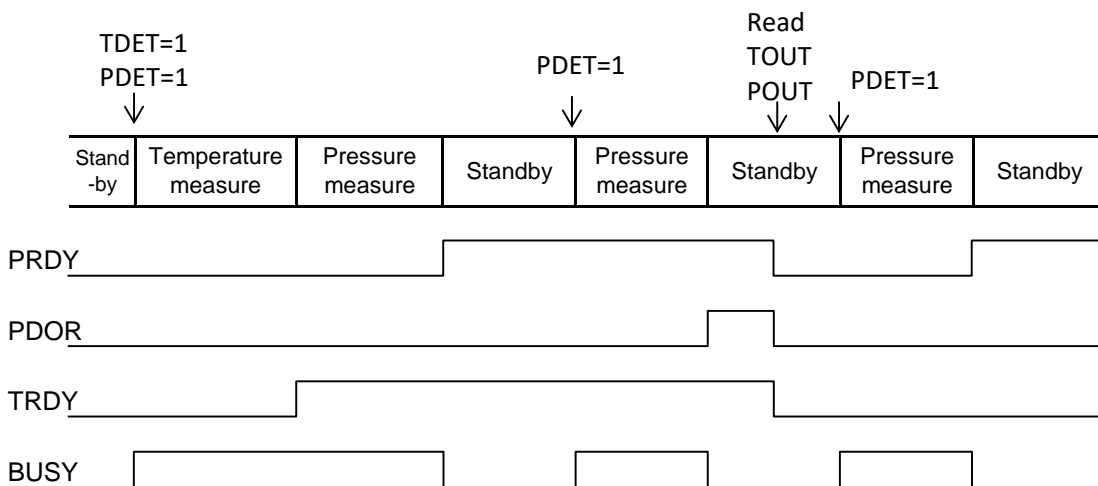
Following flag function can be used. The status is checked by reading FFST or STAT register, or DRDY pin output.

**8.5.1 STATUS Register**

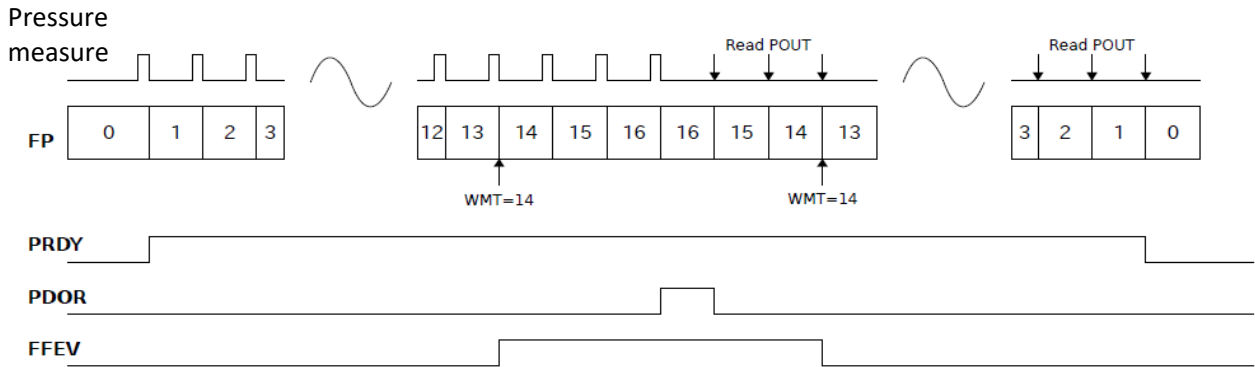
STAT register indicates following status.

**Table 11 : STAT and FFST Register function**

Register	Name	Flag	Condition to be "1"	Condition to be "0"
STAT	BUSY	Busy flag	Pressure or Temperature sensor is in measurement.	In standby state.
	TRDY	Temperature measurement completion flag	TDET was executed and temperature measurement is completed.	TOUT is read. FFEN is changed.
	PDOR	Pressure data over run flag	a) FIFO is disabled Old data is discarded and updated by new data in POUT. b) FIFO is enabled The most oldest data is discarded with FFEN=1 and FP=16.	a) FIFO is disabled POUT is read. b) FIFO is enabled POUT is read. FFEN is changed.
	PRDY	Pressure measurement completion flag	a) FIFO is disabled Pressure measurement is completed. b) FIFO is enabled FP>=1	a) FIFO is disabled POUT is read. b) FIFO is enabled FP=0. FFEN is changed.
FFST	FFEV	FIFO event flag	FP>=WMT	FP<WMT Change FFEV



**Fig. 11 :Timing chart in Continuous Measurement Mode (PMES=1, TMES=1)**



**Fig. 12 :Timing chart in FIFO mode**

**8.5.2 DATA READY pin**

DRDY pin indicates measurement completion. CTL1.PDRP allows to specify polarity of the DRDY pin. Please refer Section 7.1 and 7.2 for timing chart.

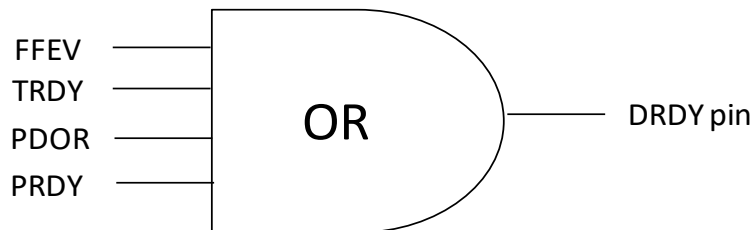
**Table 12 : CTL1.PDRP setting**

CTL1.PDRP	Polarity
0	Low active
1	High active

**Table 13 : DCTL setting (Data ready pin control)**

Name	Description
AEFV	FFEV output
ATDY	TRDY output
APOR	PDOR output
APDY	PRDY output

Multiple flags can be set to DRDY pin. They are all OR output. Change will be effective immediately even during measurement.

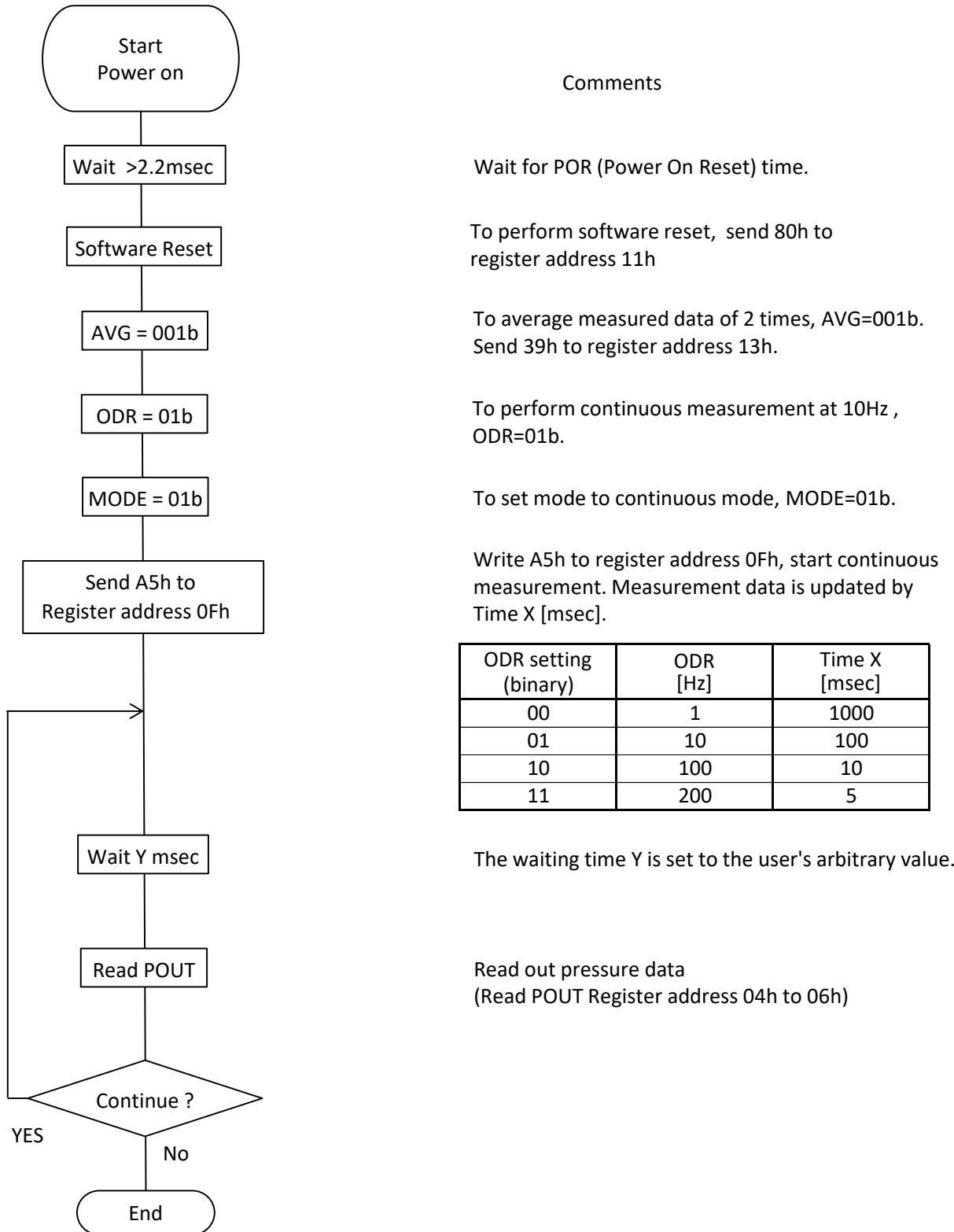


**Fig. 13 : DRDY Pin**

**9. SAMPLE FLOW CHART**

**9.1 Continuous mode**

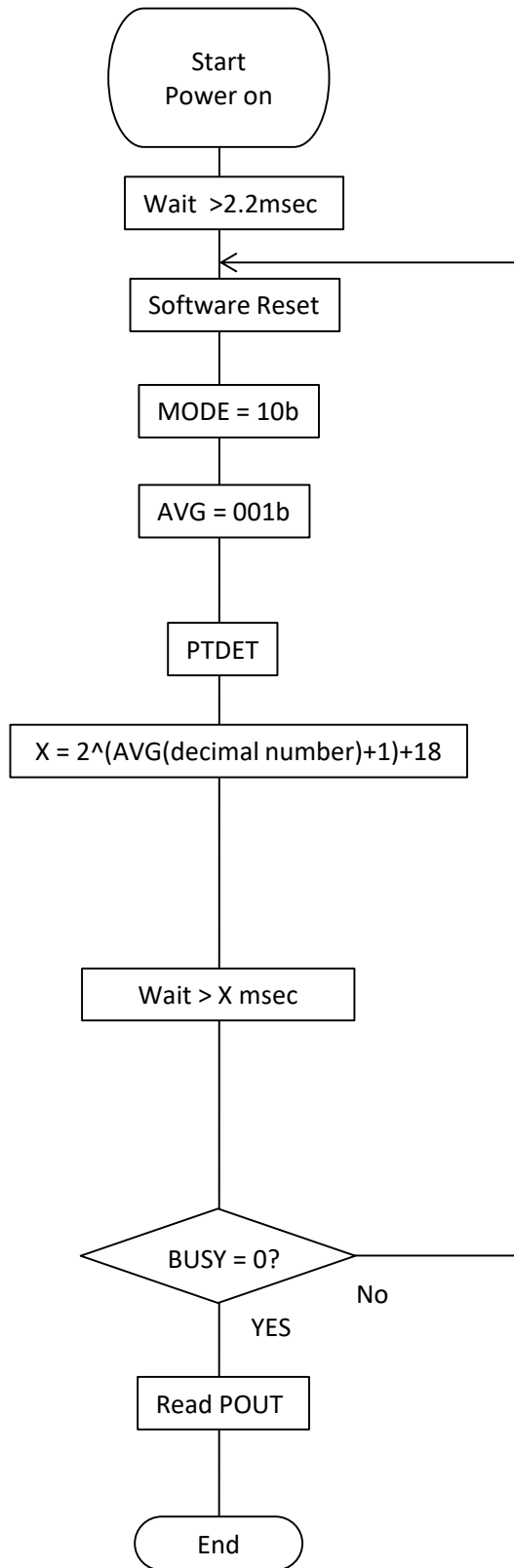
This flow chart is showing from power on to pressure measurement in continuous mode.



**Fig. 14 : Sample flow chart (Continuous mode)**

**9.2 Command Action mode**

This flow chart is showing from power on to pressure measurement in command action mode.



**Comments**

Wait for POR (Power On Reset) time.

To perform software reset, send 80h to register address 11h

To set mode to command action mode, MODE=10b. (Send A2h to Register address 0Fh)

To average measured data of 2 times, AVG=001b. Send 39h to register address 13h.

To perform pressure and temperature measurements, send action command to 29h, Send PTDET

Check wait time. Time X depends on AVG settings. Time X (msec) = 2^(AVG(decimal)+1)+18

AVG setting (binary)	AVG (decimal number)	Time X [msec]
000	0	20
001	1	22
010	2	26
011	3	34
100	4	50
101	5	82
110	6	146
111	7	274

(ex:AVG=001, X = 2^(1+1)+18 = 22 msec )

Check measurement is done (Read BUSY in Register address 03h, bit 7)

Read out Pressure data (Read POUT Register address 04h to 06h)

**Fig. 15 : Sample flow chart (Command Action mode)**



**10. TYPICAL REGISTER SETTING**
**Table 14 : Typical settings**

Setting	Application	MODE	PTAP	AVG	TFRQ	ODR [Hz]	Measure Period [uS] (*1)	Current [uA]	Noise [Pa]	Noise [cm]
Fastest Dynamic motion detection	Game or fast move handheld device	Continuous	11	x 16	NA	200	NA	356	0.6	5
Dynamic motion detection	Handheld device	Continuous	11	x 16	NA	100	NA	181	0.6	5
Indoor navigation	Floor detection	Continuous	11	x 16	NA	10	NA	23.6	0.6	5
1Hz Single shot High resolution	On demand altitude detection	Register Action or Command Action	11	x 8	0	1 (*2)	8	11.2	1.3	10
1Hz Single shot Low power	High frequency weather station	Register Action or Command Action	11	x 1	0	1 (*2)	1	1.8	3.5	28
1/60Hz Single shot Low power	Low frequency weather station	Register Action or Command Action	11	x 1	0	1/60 (*2)	1	0.03	3.5	28

\*1 : Measurement period in msec. In other words, necessary time period after receiving command. Not applicable for Continuous mode.

\*2 : Sampling frequency must be controlled by command from host device.

**11. INTERFACE SPECIFICATIONS**

**11.1 I2C Slave Interface**

I2C interface specification conforms Philips I2C-BUS Specification version 2.1 and NXP UM10204 I2C-BUS Specification and user manual Rev.03-19 June 2007. The slave address is 1001000x (x= Write:0, Read:1). Standard mode (100kHz), Fast mode (400kHz), Fast mode plus (1MHz) and High-speed mode (3.4MHz) are supported. Multiple read and write is supported and register address is automatically incremented every read or write.

High-speed mode is selected when master code (00001xxx) is received instead of slave address. Once master code is received, the product return NAK.

The device works in Fast mode plus and High-speed mode with power supply less than 2.5V. Please contact us, if the device needs to be operated in those mode with or higher power supply. Different factory calibration will be done before shipment.

Bus protocol definitions

- S: Start condition
- SAD+W: Slave Address + write bit
- SAD+R: Slave Address + read bit
- SAD+R/W: Slave Address + read or write bit
- SAK: Slave Acknowledge
- REG: Register Address (2<sup>nd</sup> byte)
- Sr: Repeat Start condition
- A: (Master) Acknowledge
- /A: (Master) Non-Acknowledge
- DATA: Data (load)
- P: Stop condition
- M-code: Master code (00001XXX)

Read Formats

One byte read flow

<i>master</i>	S	SAD+W		REG		SR	SAD+R			/A	P
<i>slave</i>			SAK		SAK			SAK	DATA		

Multiple byte reads flow

<i>master</i>	S	SAD+W		REG		SR	SAD+R			A		/A	P
<i>slave</i>			SAK		SAK			SAK	DATA		DATA		

Write Format

One byte write flow

<i>master</i>	S	SAD+W		REG		DATA		P
<i>slave</i>			SAK		SAK		SAK	

Multiple byte writes flow

<i>master</i>	S	SAD+W		REG		DATA		DATA		P
<i>slave</i>			SAK		SAK		SAK		SAK	

HS mode data transfer

HS mode is enable after writing Mcode.

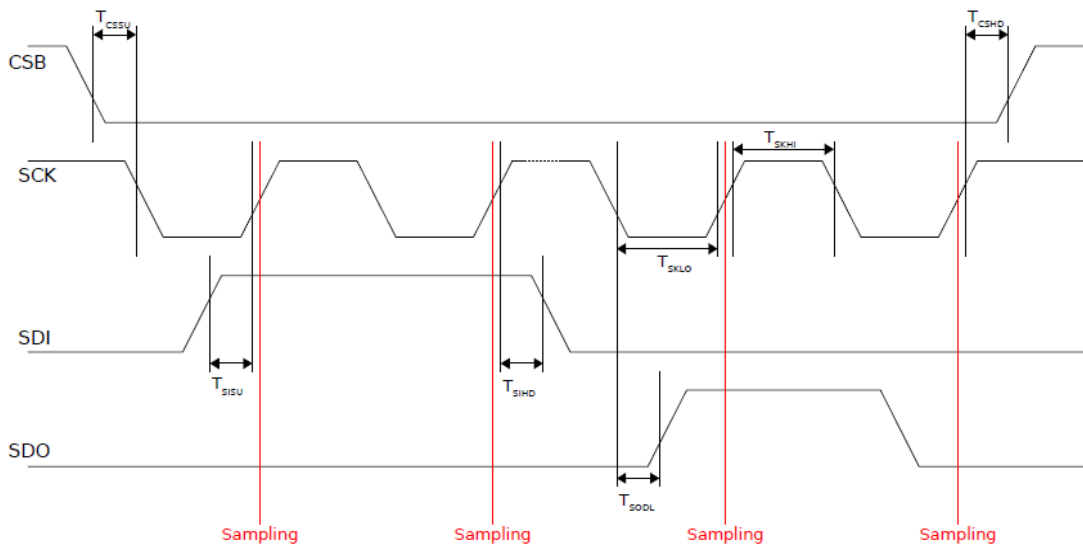
<i>speed</i>	F/S-mode				Hs-mode						FS-
<i>master</i>	S	Mcode	/A	SR	SAD+R/W		DATA	/A	P		
<i>slave</i>						A	DATA	A			
									Hs- continue		
<i>master</i>									SR	SAD+R/W	

**11.2 SPI Interface**

SPI interface is compatible with 4-wire and Mode 3. Master device can start communication with the product when CSB is LOW.

**Table 15 :SPI interface specification**

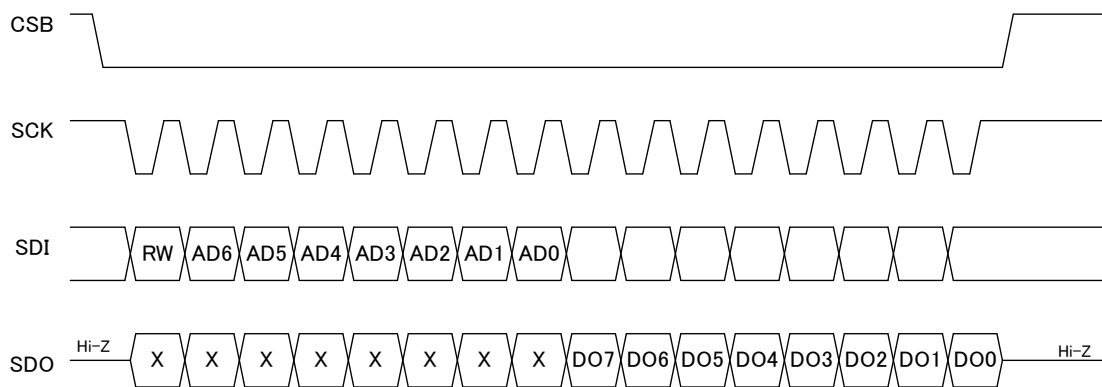
Timing Parameters	Symbol	Min	Typ	Max	Unit
SPI clock input frequency	Fspi			10	MHz
SCK low pulse width	Tsklo	30			ns
SCK high pulse width	Tskhi	30			ns
SDI setup time	Tsisp	20			ns
SDI hold time	Tsihd	30			ns
SDO output delay	Tsody			45	ns
CSB setup time	Tcssp	60			ns
CSB hold time	Tcshd	60			ns
Load capacitor	Csdo_spi			50	pF
Noise suppression pulse width	tsp	0		10	ns



**4-wire SPI Bus Read Protocol**

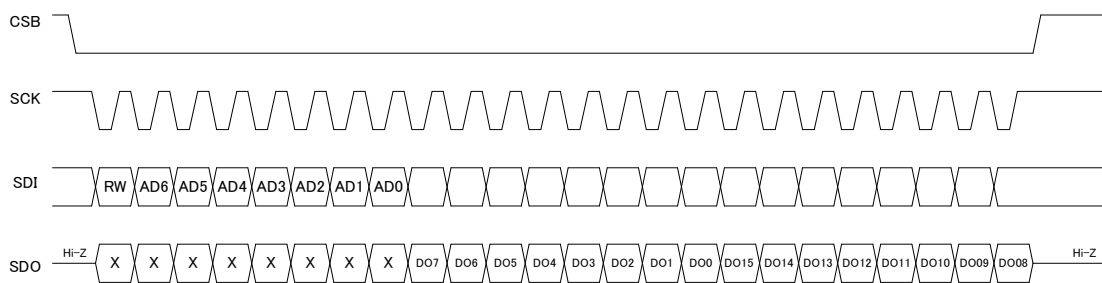
- The SPI communication is start form CSB changed to LOW and end by CSB changed to HIGH. And in this case, SCK should be HIGH. Reading or Writing can be started with the control bit RW (RW=0: Writing, RW=1:Reading). 7bit following RW bit are register address (AD6 to AD0) and then data is coming as DO7~DO0, DO15~DO8...SDI is latched at raise time of clock and SDO is changed at fall time of clock.
- Read command for SPI need 16 clock at least , and when reading, it is necessary to add every 8 clocks

**Reading at SPI 4-wire**

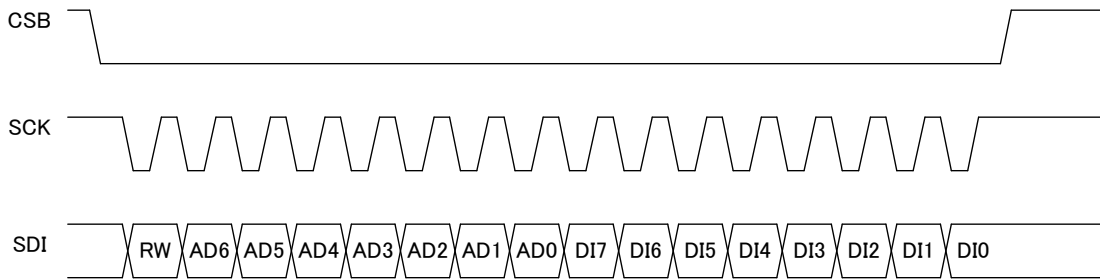


- bit 0 : RW, value = 1
- bit 1-7 : Register address AD[6:0]
- bit 8-15 : Data DO[7:0], MSB first
- bit 16-... : Data DO[15:8], MSB first

**2 bytes reading at SPI 4-wire**

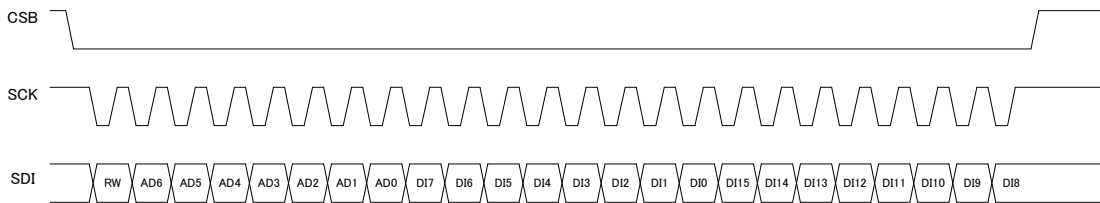


Writing at SPI 4-wire



bit 0 : RW, value = 0  
 bit 1-7 : Register address AD[6:0]  
 bit 8-15 : Data DI[7:0], MSB first  
 bit 16-... : Data DI[15:8], MSB first

2 bytes writing at SPI 4-wire



### 12. REGISTER MAP

Reg add	Name	Cust. R/W/A	Test R/W/A	Full Name	Bit assignment								Init. Value
					bit7	bit6	bit5	bit4	bit3	bit2	bit1	bit0	
00	WIA	R	R	Who I am	0	1	0	0	1	0	0	1	49
01	INFO	R	R	Information	0	0	1	1	0	0	0	1	31
02	FFST	R	R	FIFO Status	FFE	-	-	FP[4:0]				00	
03	STAT	R	R	Status	BUSY	-	-	TRDY	-	PDOR	-	PRDY	00
04	POUTL	R	R	Pressure Output Low	POUT[7:0]								00
05	POUTM	R	R	Pressure Output Middle	POUT[15:8]								00
06	POUTH	R	R	Pressure Output High	-	-	-	-	-	-	-	POUT[16]	00
09	TOUTL	R	R	Temperature Output Low	TOUT[7:0]								00
0A	TOUTH	R	R	Temperature Output High	TOUT[15:8]								19
0D	DCTL	RW	RW	DRDY Pin Control	A	F	E	V	-	-	-	APDY	01
0E	CTL1	RW	RW	Control 1	-	-	-	P	D	R	P	PTAP[1:0]	13
0F	CTL2	RW	RW	Control 2	T	M	E	S	-	ODR[1:0]		MODE[1:0]	A0
10	ACTL1	RW	RW	Action Control 1	-	-	-	-	T	D	E	P	00
11	ACTL2	RW	RW	Action Control 2	S	R	S	T	-	-	-	-	00
12	FCTL	RW	RW	FIFO Control	F	F	E	N	WMT[4:0]				10
13	AVCL	RW	RW	Average Control	-	-	TFRQ[2:0]			AVG[2:0]			38
15	I2CD	RW	RW	I2C Disable	I2CD[7:0]								00
1C	PNUM	R	R	Product Number	0	1	0	0	0	0	0	0	40
20	PDET	AC	AC	Pressure Detection Command	-	-	-	-	-	-	-	-	-
22	TDET	AC	AC	Temperature Detection Command	-	-	-	-	-	-	-	-	-
26	SRST	AC	AC	Software Reset Command	-	-	-	-	-	-	-	-	-
29	PTDET	AC	AC	P&T Detection Command	-	-	-	-	-	-	-	-	-

Registers marked "-" must not be changed.

**13. REGISTER DESCRIPTION**
**WIA (Who I am) Address:00h (Read only)**

bit	Name	Initial	Description
7:0	WIA	49h	Fixed value

**INFO (Information) Address:01h (Read only)**

bit	Name	Initial	Description
7:0	INFO	31h	Fixed value

**FFST (FIFO Status) Address:02h (Read only)**

bit	Name	Initial	Description
7	FFEV	0b	FIFO event flag. 0: FP<WMT 1: FP>=WMT
6:5	-	-	-
4:0	FP	00000b	Number of data stored in FIFO memory. 5bit = 0~16.

**STAT (Status) Address:03h (Read only)**

bit	Name	Initial	Description
7	BUSY	0b	Busy state flag. 0: Standby state 1: In Busy state
6	-	-	-
5	-	-	-
4	TRDY	0b	Temperature measurement completion flag 0: No data update or data was read 1: New data is ready
3	-	-	-
2	PDOR	0b	Data over run flag 0: No data update or data was read 1: Old data is discarded
1	-	-	-
0	PRDY	0b	Pressure measurement completion flag 0: No data update or data was read 1: New data is ready

**POUT (Pressure Output) Address:04h~06h (Read only)**

bit	Name	Initial	Description
23:17	-	-	-
16:0	POUT	00000h	17bit Pressure output 0~131071 Pressure [Pa] = POUT[LSB]

**TOUT (Temperature Output) Address:09h~A0h (Read only)**

bit	Name	Initial	Description
15:0	TOUT	1900h	16bit temperature data -32768~32767 (Two's complement) Temperature [°C] = TOUT[LSB]/256

**DCTL (DRDY pin Control) Address:0Dh (Read/Write)**

bit	Name	Initial	Description
7	AFEV	0b	FFEV output 0: Disable 1: Enable
6	-	-	-
5	-	-	-
4	ATDY	0b	TRDY output 0: Disable 1: Enable
3	-	-	-
2	APOR	0b	PDOR output 0: Disable 1: Enable
1	-	-	-
0	APDY	1b	PRDY output 0: Disable 1: Enable



**CTL1 (Control 1) Address:0Eh (Read/Write)**

bit	Name	Initial	Description
7:5	-	-	-
4	PDRP	1b	DRDY pin polarity 0: Low Active 1: High Active
3:2	-	-	-
1:0	PTAP	11b	sinc filter Tap count 00: 32-tap, Ultra low power 01: 64-tap, Low power 10: 128-tap, High accuracy 11: 256-tap, Ultra accuracy

**CTL2 (Control 2) Address:0Fh (Read/Write)**

bit	Name	Initial	Description
7	TMES	1b	Temperature measurement 0: Disable temperature measurement in Continuous mode. 1: Eable temperature measurement in Continuous mode.
6	-	-	-
5	PMES	1b	Pressure measurement 0: Disable pressure measurement in Continuous mode. 1: Eable pressure measurement in Continuous mode.
4	-	-	-
3:2	ODR	00b	Sampling rate 00: 1Hz 01: 10Hz 10: 100Hz 11: 200Hz
1:0	MODE	00b	Mode setting 00: Register Action Mode 01: Continuous Measurement Mode 10: Command Action Mode 11: Command Action Mode

**ACTL1 (Action Control 1) Address:10h (Read/Write)**

bit	Name	Initial	Description
7:4	-	-	-
3	TDET	0b	Temperature measurement in Register Action Mode 0: Not measure 1: Measure
2	-	-	-
1	PDET	0b	Pressure measurement in Register Action Mode 0: Not measure 1: Measure
0	-	-	-

**ACTL2 (Action Control 2) Address:11h (Read/Write)**

bit	Name	Initial	Description
7	SRST	0b	Software Reset 0: None 1: Execute Software Reset
6:0	-	-	-

**FCTL (FIFO Control) Address:12h (Read/Write)**

bit	Name	Initial	Description
7	FFEN	0b	FIFO enabler 0: Disable 1: Enable
6:5	-	-	-
4:0	WMT	10000b	FIFO threshold 5bit 0~16.

**AVCL (Average Control) Address:13h (Read/Write)**

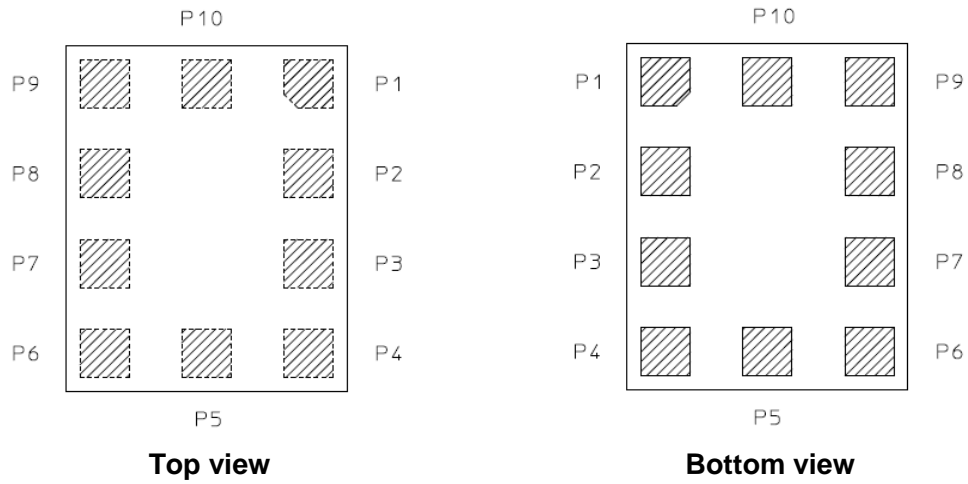
bit	Name	Initial	Description
7:6	-	-	-
5:3	TFRQ	111b	Frequency of temperature measurement 000: Only first time 001: Once every 64 times 010: Once every 32 times 011: Once every 16 times 100: Once every 8 times 101: Once every 4 times 110: Once every 2 times 111: Every time
2:0	AVG	000b	Number of data to average (In Continuous Mode) 000: No average 001: x 2 (x 2) 010: x 4 (x 4) 011: x 8 (x 8) 100: x 16 (x 16) 101: x 32 (x 16) 110: x 64 (x 16) 111: x 128 (x 16)

**PNUM (Product Number) Address:1Ch (Read only)**

bit	Name	Initial	Description
7:0	PNUM	40h	Fixed value for HSPPAD042A

**14. MECHANICAL INFORMATION**

**14.1 Pin Layout**

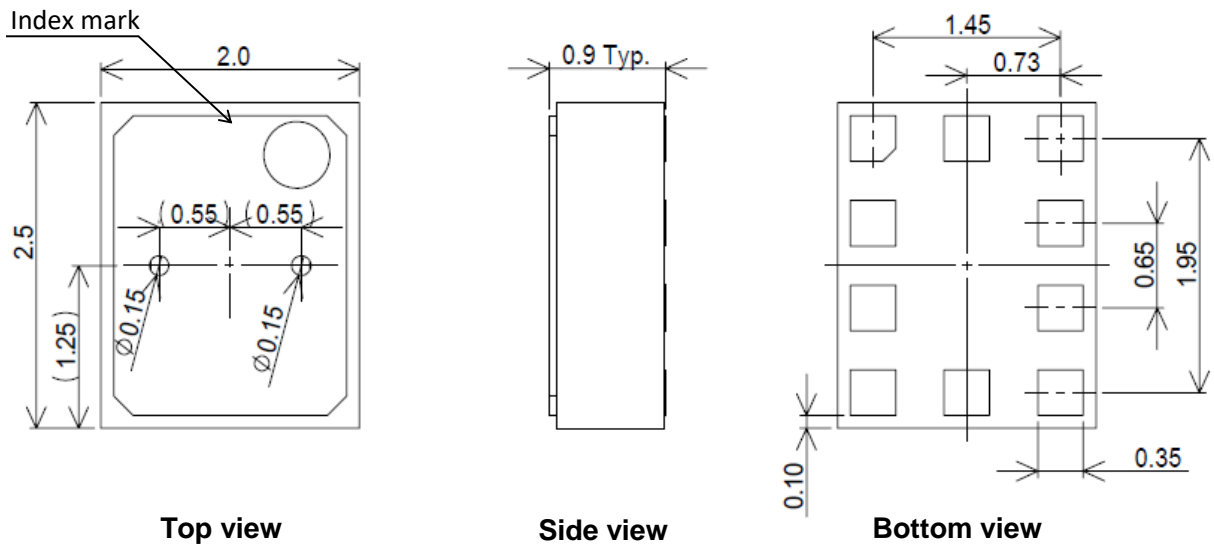


**Fig.16 : Pin layout**

**Table16 : Pin assign**

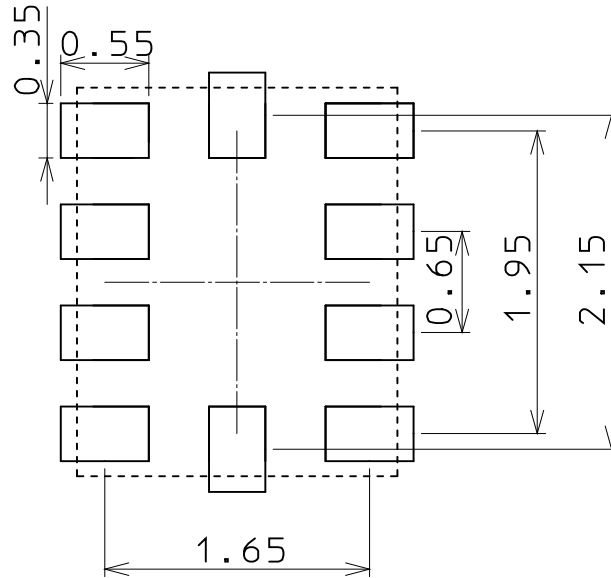
P#	Name	Description
P1	GND	Ground
P2	CSB	Chip select
P3	SDA/SDI	Serial data input/output
P4	SCL/SCK	Serial clock
P5	TEST	Factory use
P6	SDO	Serial data output
P7	NC	-
P8	GND	Ground
P9	VDD	Voltage supply
P10	DRDY	Data ready output

**14.2 Package Dimension**



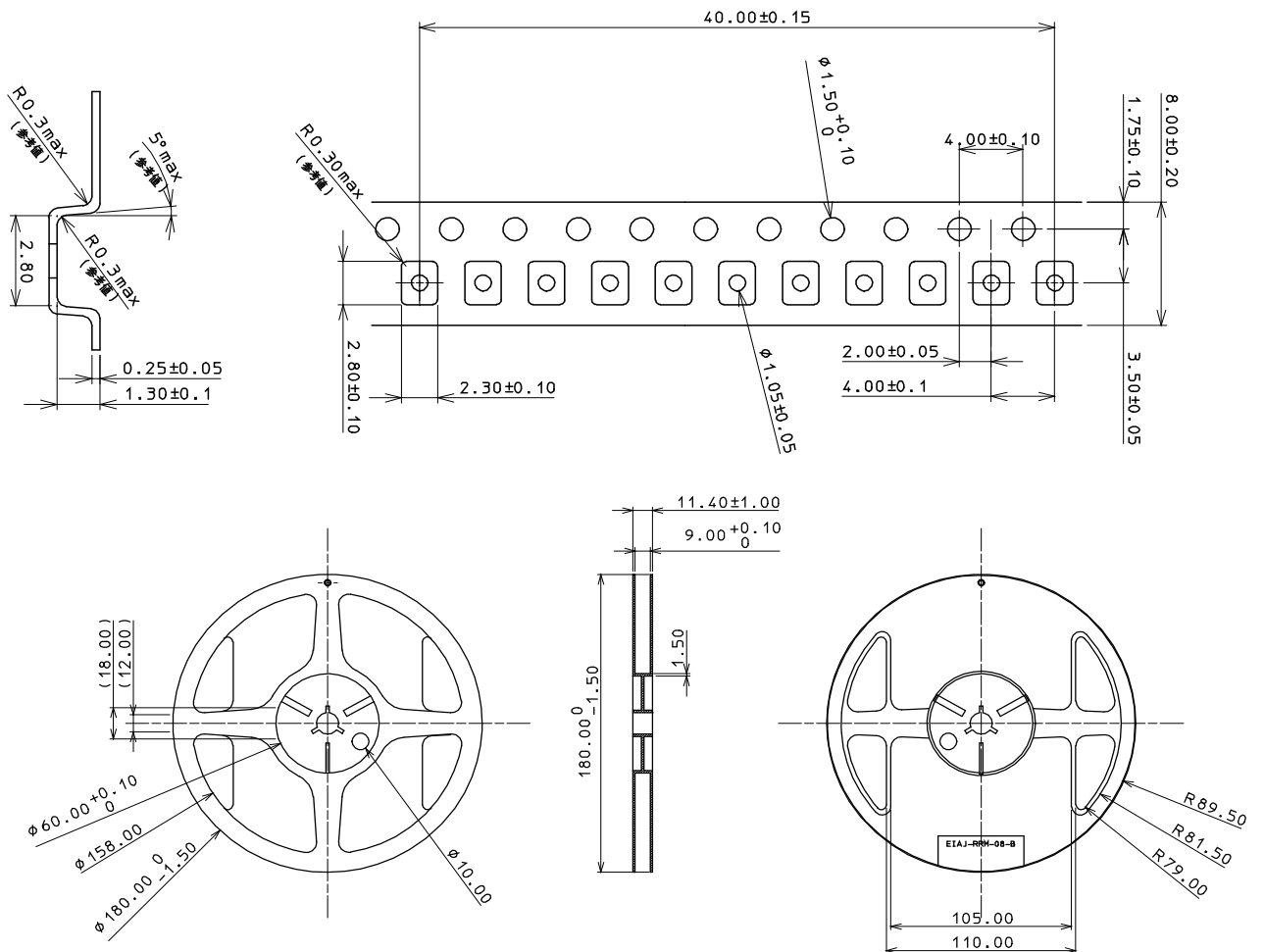
**Fig. 17 : Mechanical Dimension**

**14.3 Recommended Land Pattern**



**Fig. 18 : Land Pattern**

**14.4 Tape and Reel drawing**



**Fig. 19 : Tape and Reel dimension**

### 14.5 Carton Packing

3000pcs products are contained in one reel.

Reel label is attached every reels.

One Bag for one Reel

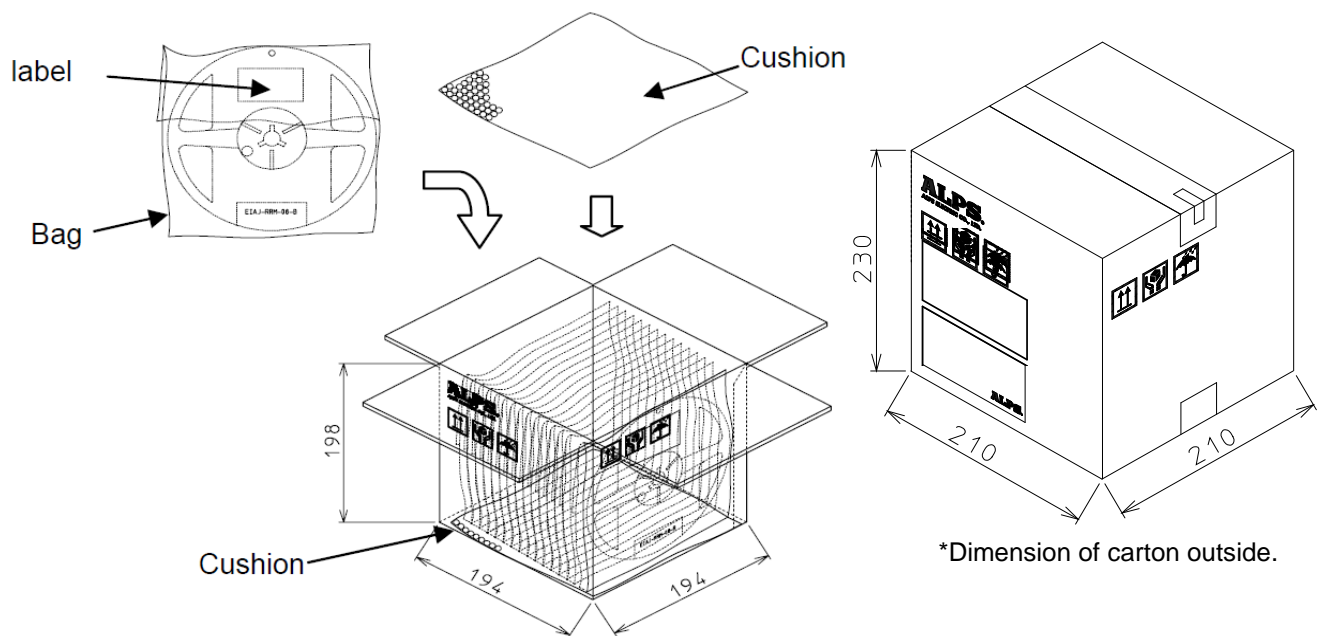
Maximum 15 reels in 1 carton (max.45,000pcs/carton)

The cushion is used to cover top and bottom of the carton inside.

Recommended storage condition is less than 30degC and 85%, for less than 1 year.

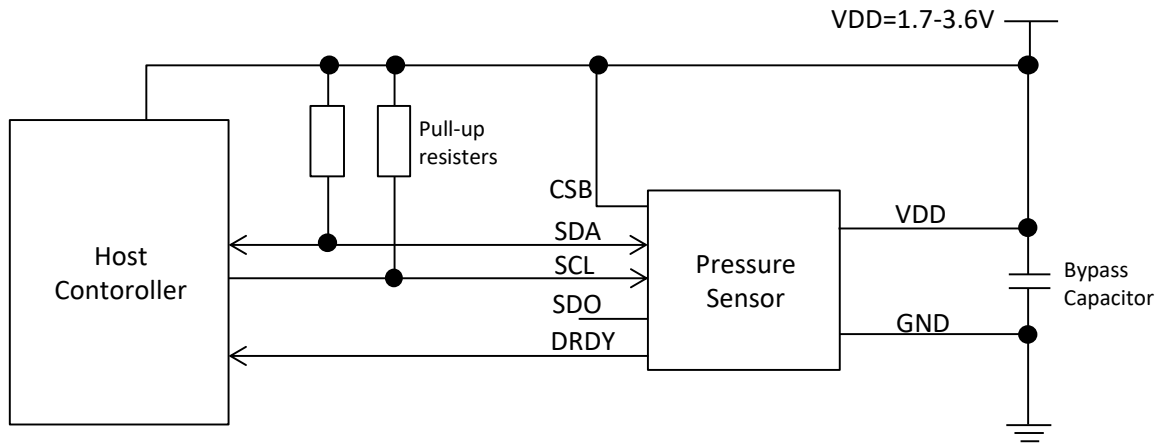
Damp proof packing is not applied.

MOQ : 3000 pcs



**Fig. 20 : Carton Packing**

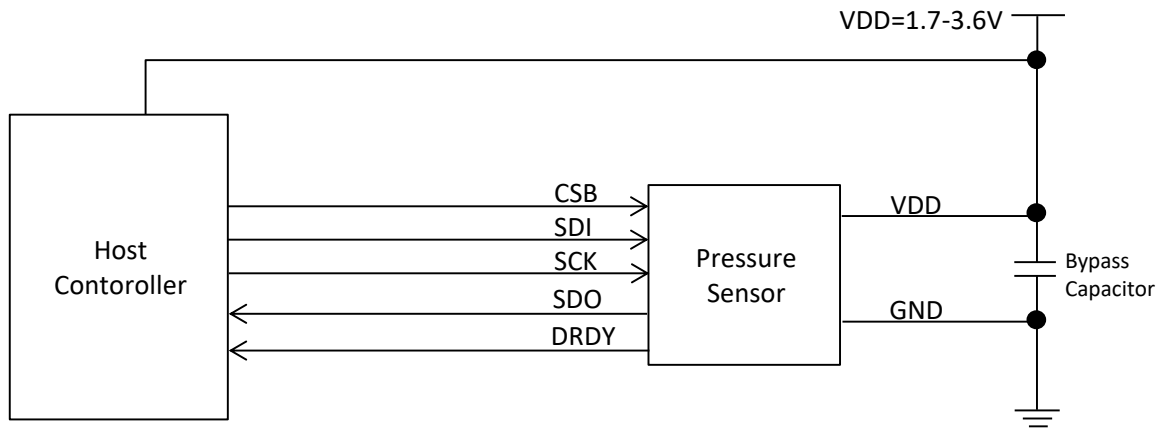
**15. CONNECTION EXAMPLE**  
**15.1 I2C**



**Fig.21 : I2C connection diagram**

SDO must be floated.  
 3.3kohm Pull-up resistor is recommended  
 0.1uF Bypass capacitor is recommended  
 CSB can be floated (Internally Pulled up)

**15.2 SPI**



**Fig.22 : SPI connection diagram**

0.1uF Bypass capacitor is recommended

## 16. LEGAL DISCLAIMER

1. 国内外の輸出関連法規により規制されている製品の輸出に際しては、同法規を遵守の上、必要な許可、手続き等をとってください。

For the export of products which are controlled items subject to foreign and domestic export laws and regulations, you must obtain approval and/or follow the formalities of such laws and regulations.

2. 軍用途又はテロ等の反社会活動目的では、当製品を一切使用しないでください。また、最終的にそれら用途・目的で使用されるおそれがある法人・団体・個人等へも当製品を一切供給しないでください。

Products must not be used for military and/or antisocial purposes such as terrorism, and shall not be supplied to any party intending to use the products for such purposes.

3. 当製品は、特に用途を指定していないかぎり、本来、AV、家電、事務機、情報機器、通信機器、アミューズメント機器等の一般電子機器用に設計、製造されたものです。したがって、原子力制御機器、宇宙・航空機で運行にかかわる機器等の用途では一切使用しないでください。

上記の使用禁止の用途以外で、医療機器、防犯機器、防災機器、海底用機器等の高度の安全性・信頼性を必要とする機器でのご使用の際は、弊社営業担当迄ご相談いただくか、またはセットでの十分な適合性の確認を行っていただいた上で、フェールセーフ設計、保護回路、冗長回路、誤動作防止設計、延焼対策設計等のセットでの安全対策設計を設けてください。

Unless provided otherwise, the products have been designed and manufactured for application to equipment and devices which are sold to end-users in the market, such as AV (audio visual) equipment, home electric equipment, office and commercial electronic equipment, information and communication equipment or amusement equipment. The products are not intended for use in, and must not be used for, any application of nuclear equipment, driving control equipment for aerospace or any other unauthorized use.

With the exception of the above mentioned banned applications, for applications involving high levels of safety and liability such as medical equipment, burglar alarm equipment, disaster prevention equipment and undersea equipment, please contact an Alps sales representative and/or evaluate the total system on the applicability. Also, implement a fail-safe design, protection circuit, redundant circuit, malfunction protection and/or fire protection into the complete system for safety and reliability of the total system.

4. 車載対応製品以外の製品を車載用にご使用される場合は、事前に弊社へご相談ください。

Before using products which were not specifically designed for use in automotive applications, please contact an Alps sales representative.



## X-ON Electronics

Largest Supplier of Electrical and Electronic Components

*Click to view similar products for [Board Mount Pressure Sensors](#) category:*

*Click to view products by [ALPS](#) manufacturer:*

Other Similar products are found below :

[6407-249V-17343P](#) [6407-250V-09273P](#) [80527-25.0H2-05](#) [80541-B00000150-01](#) [80541-B00000200-05](#) [80554-00700100-05](#) [80568-00300050-01](#) [93.631.4253.0](#) [93.731.4353.0](#) [93.932.4553.0](#) [136PC150G2](#) [136PC15A1](#) [142PC95AW71](#) [142PC05DW70](#) [15PSI-G-4V](#) [1805-01A-L0N-B](#) [26PCBKT](#) [26PCCFA6D26](#) [26PCCFS2G](#) [26PCCVA6D](#) [93.632.7353.0](#) [93.731.3653.0](#) [93.931.4853.0](#) [93.932.4853.0](#) [SCDA120-XSC05DC](#) [185PC30DH](#) [20INCH-G-MV-MINI](#) [26PCAFJ3G](#) [26PCCEP5G24](#) [26PCDFA3G](#) [26PCJEU5G19](#) [ASCX15AN-90](#) [TSCSAAN001PDUCV](#) [DCAL401DN](#) [DCAL401GN](#) [XZ202798SSC](#) [XZ203676HSC](#) [6407-249V-09343P](#) [6407-250V-17343P](#) [SP370-25-116-0](#) [81794-B00001200-01](#) [HSCDLNN100PGAA5](#) [82681-B00000100-01](#) [81618-B00000040-05](#) [SSCDJNN015PAAA5](#) [TSCDLNN100MDUCV](#) [TSCSAAN100PDUCV](#) [NBPDANN015PGUNV](#) [NBPLLNS150PGUNV](#) [142PC100D](#)