

SPECIFICATIONS

RK09K1110BLA

ELECTRICAL

1. Total resistance : 50k Ω \pm 20%
2. Rated power : 0.05 W
3. Rated voltage :

The rated voltage shall be the voltage of D.C. or A.C. (commercial frequency ,effective value) corresponding to the rated power (dissipation),and be obtained from the following formula. When the obtained rated voltage exceeds the maximum working voltage given in the following, however, the maximum working voltage of the following shall be the rated voltage.

$$E = \sqrt{P \cdot R} \text{ (V)}$$

Where E : Rated voltage (V)
 P : Rated power(dissipation) (W)
 R : Nominal total resistance (Ω)

Maximum working voltage : 50 V A.C. , 20 V D.C.

4. Residual resistance between terminals
 between term. 1&2, term. 2&3 : 300 Ω max.
5. Sliding noise : Less than 100 mV measured by method of JIS C 6443.
6. Insulation resistance : Greater than 100 M Ω measured by D.C. 250V.
7. Withstand voltage: More than 1 minute with an application of A.C. 250 V.
8. Taper : B

MECHANICAL

1. Overall rotational angle : 280 $^{\circ}$ \pm 5 $^{\circ}$
2. Operation torque : 1~8mN·m (Rotational speed 60 $^{\circ}$ /sec.)
3. Shaft end stop strength : No damage with an application of 0.3N·m.
4. Starting torque : 10mN·m MAX.
5. Resistance to soldering heat :
 After manual soldering (Less than 350 $^{\circ}$ C and quicker than 3 seconds) there shall be no evidence of poor contact between resistance element and terminals, or any physical damages as a result of the test.
6. Play of shaft :
 The resistor shall be mounted by soldering the mounting legs on the panel. Then a side thrust of 25mN·m at the end of the shaft shall be applied, then the total play of the shaft shall not exceed 0.5 x L / 20 mm p-p.
 (L:Shaft length)
7. Inclination of shaft :
 The eccentricity of the root of shaft shall not exceed 0.35mm against the center of the mounting position.
8. Eccentricity of shaft :
 The inclination of shaft shall be within 0.35mm to the center of shaft, which is parallel to the mounting surface.
9. Robustness of shaft against end thrust :
 The shaft shall withstand against end thrust of 50N for 3 seconds.
10. Robustness of shaft against side thrust :
 The shaft shall withstand against side thrust of 40N for 3 seconds on the end of the shaft at right angles to the axis of the shaft after mounting the resistor by soldering.

ENDURANCE

1. Rotational life : 5,000 cycles min.

NOTE

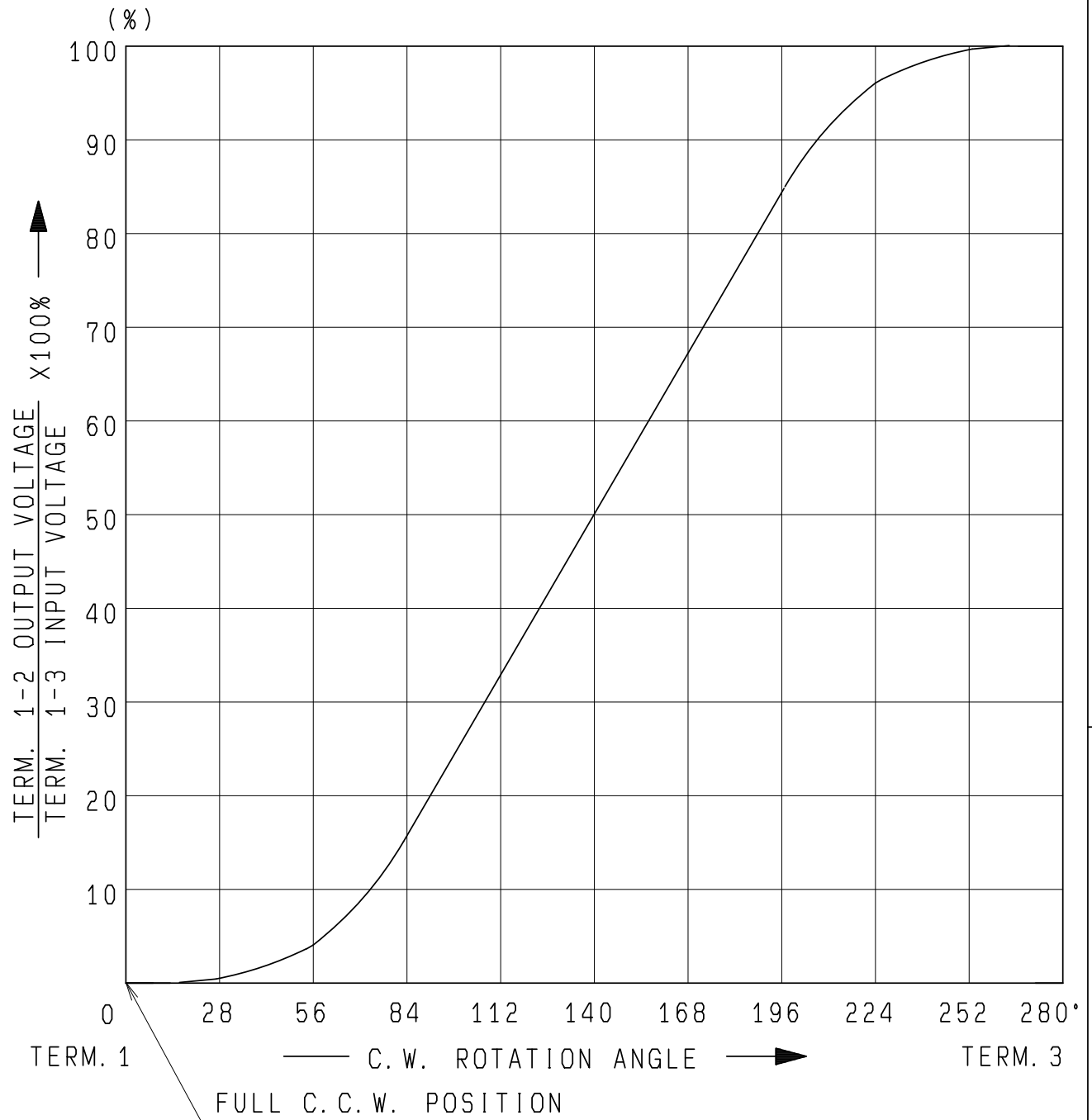
1. The items except above mentioned items shall meet or exceed JIS C 6443.
2. Operating temperature :-10 $^{\circ}$ C~+70 $^{\circ}$ C, 3. Storage temperature :-30 $^{\circ}$ C~+70 $^{\circ}$ C.

					ALPSALPINE CO.,LTD.			
					APPD.	CHKD.	DSGD.	TITLE
					Sep. 13. '96	Sep. 13. '96	Sep. 13. '96	
					S. Aizawa	M. Satoh	Y. Saitoh	DOCUMENT NO.
SYMB	DATE	APPD	CHKD	DSGD	V R 0 0 0 0 0 0 1 2			

KX

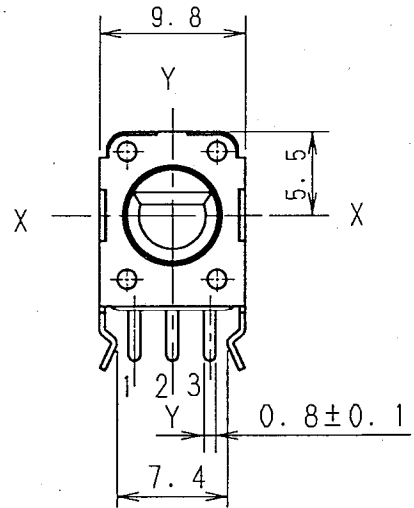
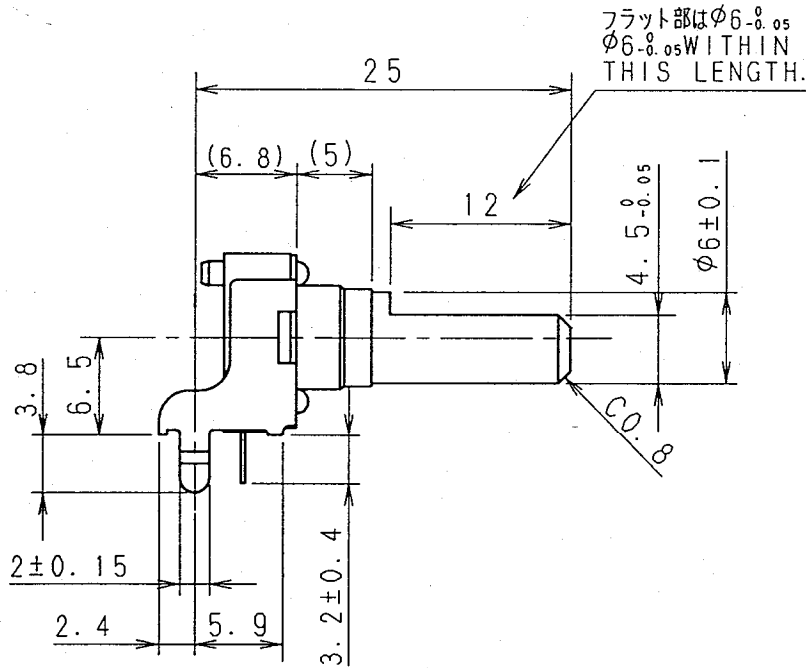
Confidential

ALPSALPINE CO., LTD.

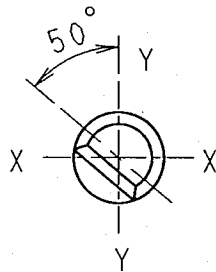


AT 140° C.W. SHAFT ROTATION FROM FULL C.C.W. POSITION VOLTAGE PERCENT SHALL FALL WITHIN THE LIMITS OF 40~60 PERCENT.

					APPD.	CHKD.	DSGD.	NAME
					Jul. 13. '93	Jul. 13. '93	Jul. 13 '93	RESISTANCE TAPER (B)
					K. Magami	K. Sasaki	K. Suzuki	DOCUMENT NO.
SYMB	DATE	APPD	CHKD	DSGD				VR00000012



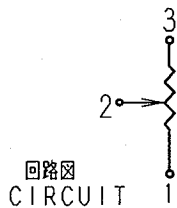
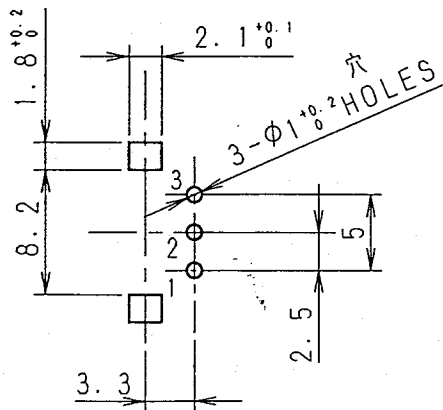
軸はセンター位置の軸角度を示す。
SHAFT SHOWN IN CENTER POSITION.



軸を反時計方向に
回し切った状態を示す。

SHAFT SHOWN IN FULL C. C. W. POSITION

取付穴寸法図許容差±0.1
挿入側よりみた図
P. W. B. MOUNTING DETAIL
TOLERANCE±0.1
VIEWED FROM MOUNTING SIDE
P. W. B. 板厚 T=1.6



指定なき部分の許容差 TOLERANCES UNLESS OTHERWISE SPEC	
$L \leq 10$	±0.3
$10 < L < 100$	±0.5
$100 \leq L$	±0.8
角度 ANGULAR DIMENSION	±5°

				SHAFT COLOR: BLACK	
PART NO.	NAME	MATERIAL NAME / CODE		FINISH	
ALPS ALPS ELECTRIC CO., LTD.					
DSGD. 1-1G. T. YAMAGUCHI 97-11-20			SCALE 2:1	NO.	
CHKD. Y. Saitoh 97-11-21				TITLE 9形1軸単連絶縁軸VR組立図	
OR. SYMB	95-08-02 DATE	T. S APPD	H. S CHKD	T. M DSGD	UNIT mm
APPD. Y. Ohya 97-11-21				DOCUMENT NO. K091B0Z9C	

X-ON Electronics

Largest Supplier of Electrical and Electronic Components

Click to view similar products for [Potentiometers](#) category:

Click to view products by [ALPS](#) manufacturer:

Other Similar products are found below :

[58C2-2](#) [590SX1N32F103SS](#) [591SXJ48S252SC](#) [591SXP56S252SC](#) [591SXP56S503SC](#) [D31409](#) [70B1G048K502X-A](#) [70B1M032S502W](#)
[70B1N056S202W](#) [70B8N056F502W](#) [70J8N048S104U](#) [70L1N040P103W](#) [70L1N048P103X](#) [70L1N048S103W](#) [GA2L040S102UC](#)
[GA2L040S103UC](#) [GS1G044P103UA](#) [GS1N048P103UA](#) [GS1T032S103UA](#) [A43-1500](#) [A43-20K](#) [A47-200K](#) [A4720K](#) [132-2-0-202](#) [132-0-0-202](#) [RK14K1220-F25-C0-A103](#) [RK14K1220F25C0C104](#) [RK14K1220-F25-C1-B103](#) [14910FAGJSX10102KA](#) [14910FBGLFY00103KA](#)
[14910AABHSX10103KA](#) [14910FAGJSX10104KA](#) [152-01031](#) [C0342008 5K](#) [J97589](#) [23M728](#) [248BBHS0XB25104MA](#)
[248BBHS0XB25503MA](#) [249FGJS0XB25503KA](#) [RV170F-10-15R1-B500K-0021](#) [917523A](#) [A43-40](#) [A43-750](#) [A43S-5](#) [A47-15K](#) [A47-1K](#)
[A4750K](#) [SPPG048S103U](#) [SPPG056P103U](#) [SWE-10](#)