



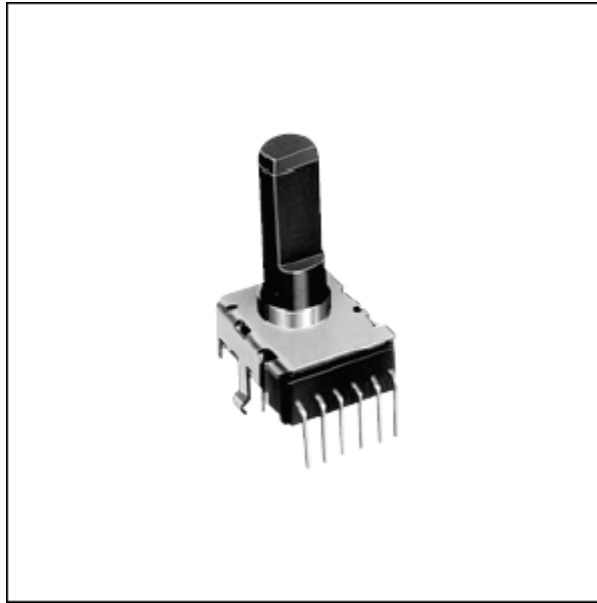
12mm Size Insulated Shaft Snap-in Type RK12L Series

For the mixing console market

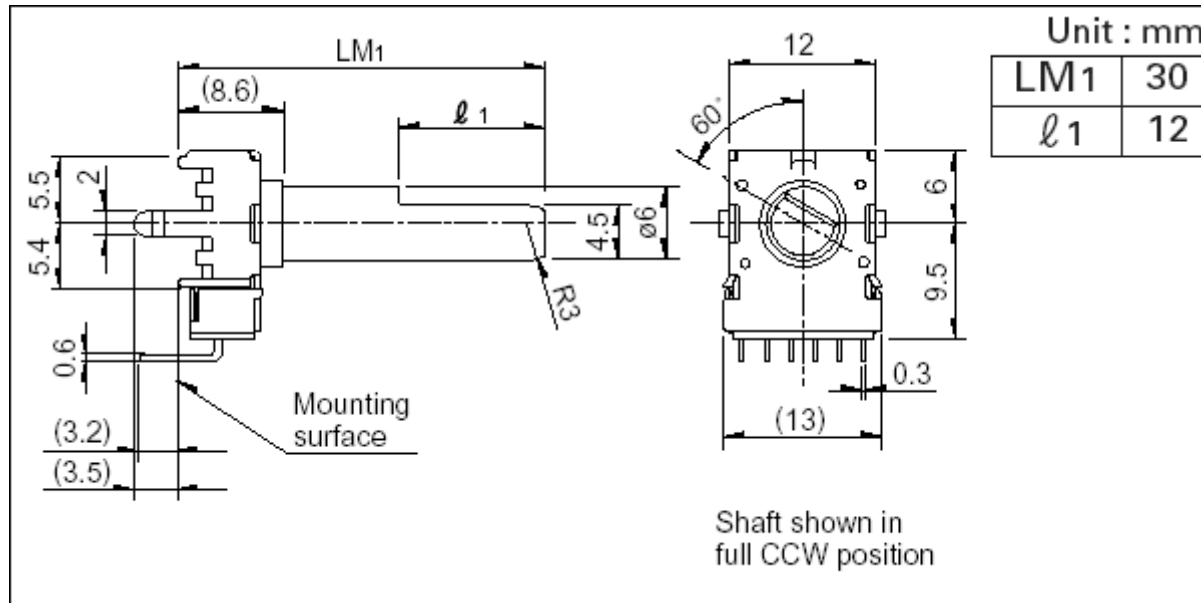
Part number	RK12L12H0005	
Number of resistor elements	Dual-unit	
Mounting direction	Vertical type	
Shaft types	Flat	
Length of the shaft LM1	30mm	
Center detent	Without	
Total resistance	20kΩ	
Resistance taper	15A	
Operating temperature range	-10°C to +70°C	
Electrical Performance	Total resistance tolerance	±20%
	Rated power	0.05W
	Maximum operating voltage	50V AC for AC only
	Gang error	-40dB to 0dB 3dB max.

	Insulation resistance	100M Ω min. 250V DC
	Voltage proof	300V AC for 1 minute
Mechanical Performance	Total rotational angle	300° \pm 5°
	Rotational torque	2 to 15mN·m
	Stopper strength	0.5N·m
	Push-pull strength	80N max.
	Vibration	10 to 55 to 10Hz/min., the amplitude is 1.5mm for all the frequencies, in the 3 direction of X, Y and Z and for 2 hours respectively
Durability	Operating life	15,000 cycles
Minimum order unit (pcs.)	Japan	800
	Export	1,600

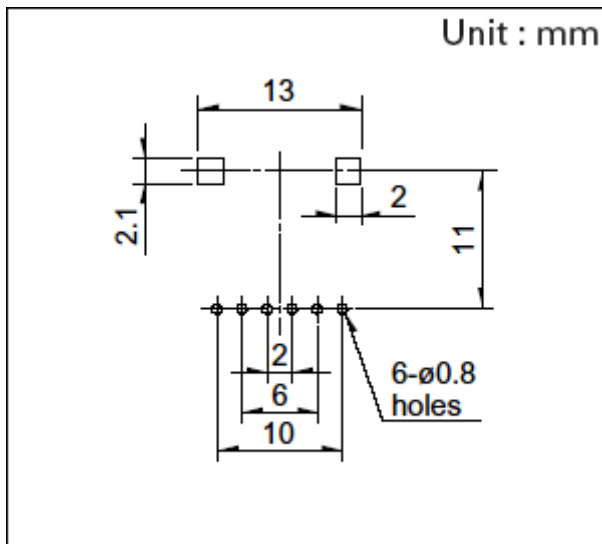
Photo



Dimensions

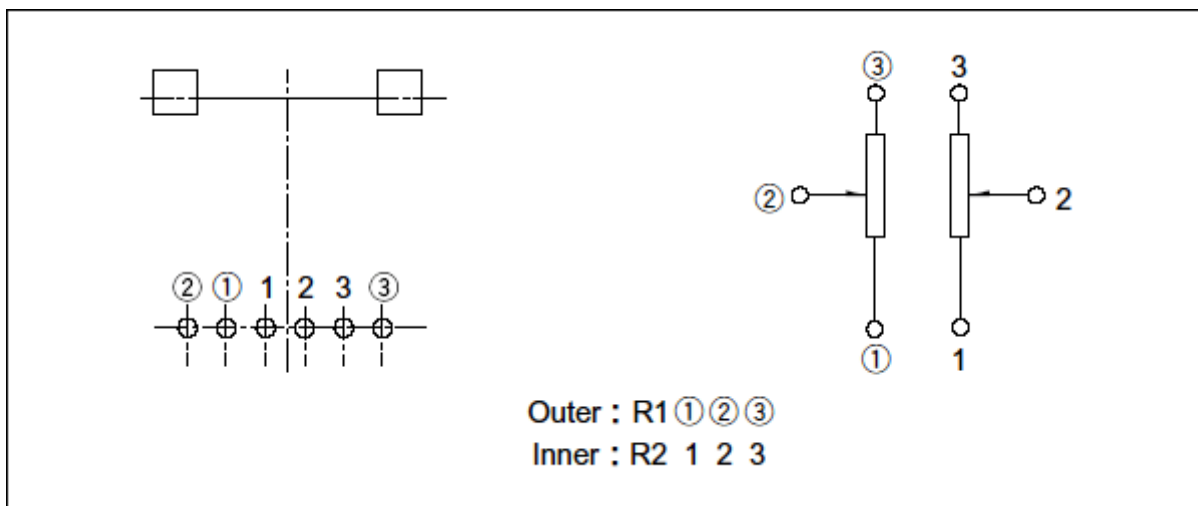


Mounting Hole Dimensions



Viewed from mounting side.

Terminal Layout / Circuit Diagram



Packing Specifications

Tray

Number of packages 1 case / Japan 800

(pcs.)	1 case / export packing	1,600
Export package measurements (mm)		374×532×240

Soldering Conditions

Reference for Dip Soldering

Preheating	Soldering surface temperature	100°C max.
	Heating time	1 min. max.
Dip soldering	Soldering temperature	260°C max.
	Soldering time	5s max.
No. of solders		2 time max.

Reference for Hand Soldering

Tip temperature		350°C max.
Soldering time		3s max.
No. of solders		1 time

Notes are common to this series/models.

1. This site catalog shows only outline specifications. When using the products, please obtain formal specifications for supply.
2. Please place purchase orders per minimum order unit (integer).
3. Products other than those listed in above products are also available. Please contact us for details.

X-ON Electronics

Largest Supplier of Electrical and Electronic Components

Click to view similar products for [Potentiometers](#) category:

Click to view products by [ALPS](#) manufacturer:

Other Similar products are found below :

[58C2-2](#) [590SX1N32F103SS](#) [591SXJ48S252SC](#) [591SXP56S252SC](#) [591SXP56S503SC](#) [D31409](#) [70B1G048K502X-A](#) [70B1M032S502W](#)
[70B1N056S202W](#) [70B8N056F502W](#) [70J8N048S104U](#) [70L1N040P103W](#) [70L1N048P103X](#) [70L1N048S103W](#) [GA2L040S102UC](#)
[GA2L040S103UC](#) [GS1G044P103UA](#) [GS1N048P103UA](#) [GS1T032S103UA](#) [A43-1500](#) [A43-20K](#) [A47-200K](#) [A4720K](#) [RA20LASD251A](#)
[132-2-0-202](#) [RK14K1220-F25-C0-A103](#) [RK14K1220F25C0C104](#) [RK14K1220-F25-C1-B103](#) [14910FAGJSX10102KA](#)
[14910FBGLFY00103KA](#) [14910AABHSX10103KA](#) [14910FAGJSX10104KA](#) [152-01031](#) [C0342008 5K](#) [P270-109A](#) [J97589](#) [23M728](#)
[RV170F-10-15R1-B500K-0021](#) [RV8NAYS104A](#) [917523A](#) [A43-40](#) [A43-750](#) [A43S-5](#) [A47-15K](#) [A4750K](#) [SPPG048S103U](#)
[SPPG056P103U](#) [SWE-10](#) [GA2G040F103BA](#) [GS1G052F103UA-A](#)