



## SPECIFICATIONS

1. THIS SPECIFICATIONS APPLY TO RK27112B0 POTENTIOMETERS.

2. CONTENTS OF THIS SPECIFICATIONS.

4K272A-210  
HSA02, 4K-1  
K272A0AOK

3. MARKING

·MARKING ON ALL UNITS  
DATE CODE, RESIST. VALUE, TAPER

4. REMARKS

·FURNISH PACKAGE  
NUT: 1, WASHER: 1  
·NOTES

·Silver printed patterns are coated with carbon as a protection against sulphur-  
ation.  
·Marking ⇒ in specifications shows standard and condition for application.

CLASS NO. TITLE **SPECIFICATIONS**

**ELECTRICAL**

50 kΩ

1. Total resistance tolerance: Nominal ± 20% (10kΩ ≤ R ≤ 2MΩ)
2. Rated voltage : Please refer to the attached. ~~Maximum operating voltage 30V A.C.~~
3. Resistance taper: See taper figure
4. Maximum attenuation level on full C.C.V. position:
 

Nominal total resistance value	Max.att.level
R ≥ 100kΩ	100dB min.
100kΩ > R ≥ 50kΩ	90dB min.
50kΩ > R ≥ 10kΩ	80dB min.
5. Insertion loss on full C.V. position: 0.1dB max.
6. Slider noise: less than 47mV (by method of JIS C 6443)
7. Insulation resistance: 100MΩ min. at 500V D.C.
8. Dielectric strength: Units shall be designed to withstand 500V A.C. 50Hz R.M.S. between resistance element and case for a period of one minute without damage or arcing
9. Gang error :

Nominal total resistance value	Gang error
R ≥ 50 kΩ	3 dB max. between -70 less than -60 dB 2 dB max. between -60 ~ 0 dB
50 kΩ > R ≥ 20 kΩ	3 dB max. between -60 less than -40 dB 2 dB max. between -40 ~ 0 dB
20 kΩ > R ≥ 10 kΩ	3 dB max. between -60 ~ 0 dB

( term 1-2 output V / term 1-3 in out V )

CLASS NO. TITLE

**MECHANICAL**

1. Total rotation angle:
2. Operation torque: 60~
3. Shaft end stop strength
4. Resistance to soldering: quicker than 5 seconds between resistance element a result of the test
5. Nut tightening strength (Pay attention as follows)
6. Shaft push / pull strength: No damages with an applied force
7. Detent angle: :
8. Detent torque:

**ENDURANCE**

1. Rotational life:

**NOTE**

1. The items except above

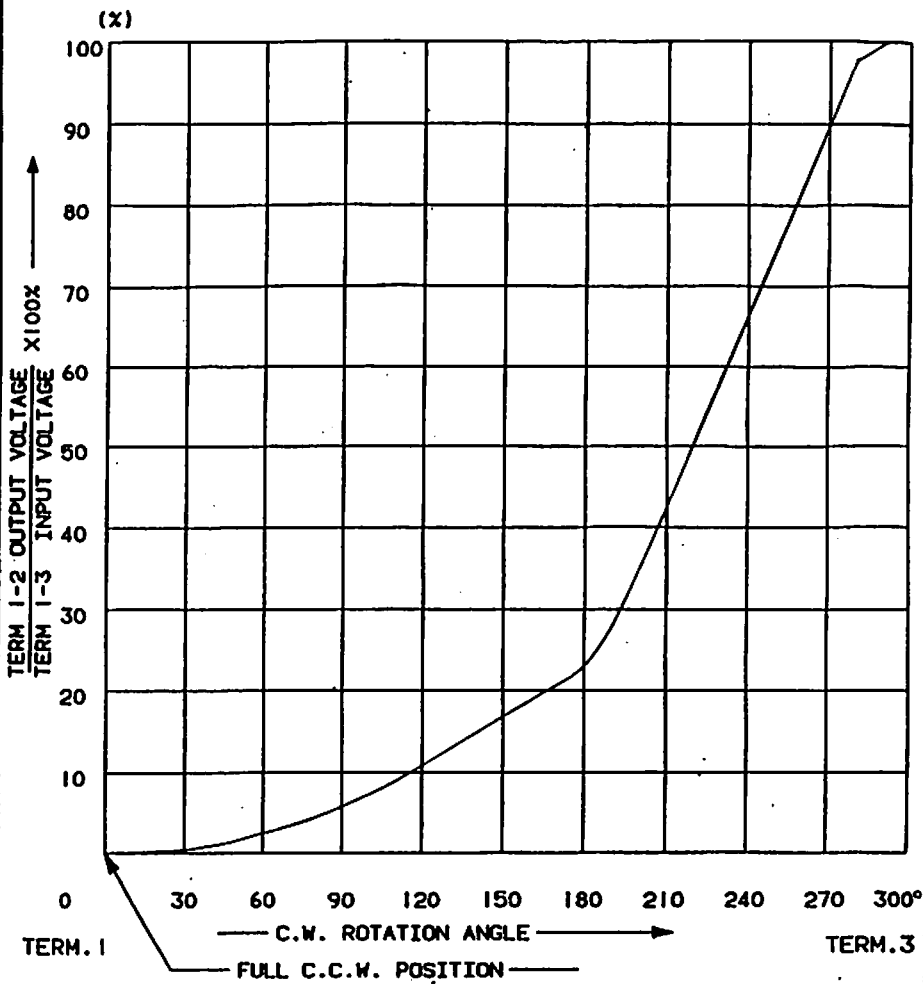
**ALPS ELECTRIC CO., LTD.**

SYMB	DATE	APPD	CHKD	USGD	APPR	CHGD	DSGDR	TITLE
Δ1	13-1-20	K. Y.	Y. S.	T. Okano	Jun 7, '88	Jun 9 '88		DOCUMENT NO. 4K272A-210 (1/2)

SYMB	DATE	APPD	CHKD	USGD	APPR	CHGD	DSGDR	TITLE
Δ1	95-1-20	K. Y.	Y. S.	T. Okano	Jan 20, '95			



ALPS ELECTRIC CO., LTD  
1-7 YUKIGAYA OTSUKA-CHO OTA-KU TOKYO JAPAN



AT 180° C.W. SHAFT ROTATION FROM FULL C.C.W. POSITION, VOLTAGE PERCENT SHALL FALL WITHIN THE LIMITS OF 15 - 30 PERCENT.

SYMB	DATE	APPD	CHKD	DSGD	SCALE	TITLE	DOCUMENT NO.
	15-05-31	M.I.	T.K.	S.S.	UNIT	RESISTANCE TAPER	HSA02
					m m		

OR

< はんだ付け時のご注意  
図のようにP. W. 8の上にお取り付け下さい。

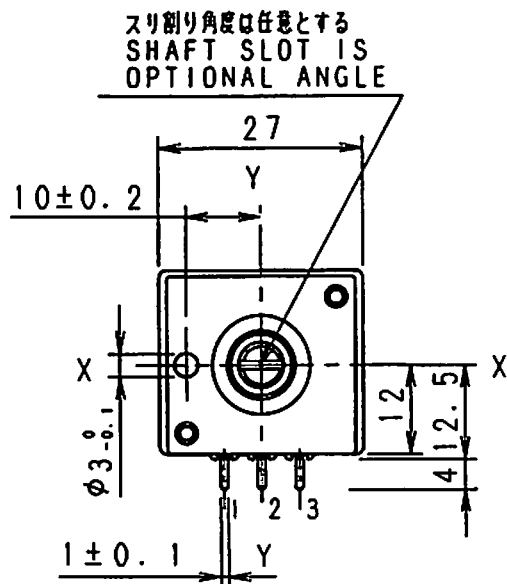
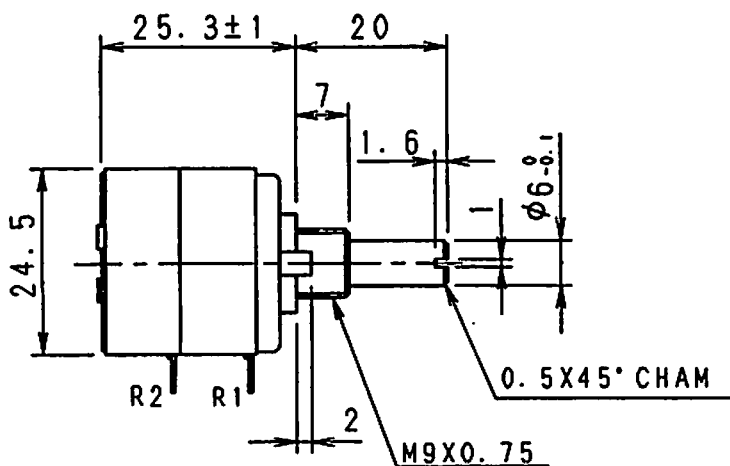
Caution for soldering  
Please avoid soldering

はんだ  
Solder

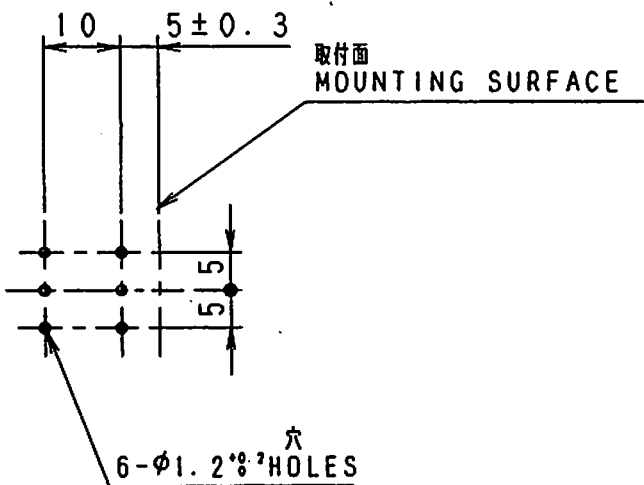
はんだ  
Solder

SYMB	DATE	APPD	CHKD	DSGD	SCALE	TITLE	DOCUMENT NO.





取付穴寸法図許容差±0.1  
挿入側よりみた図  
P. W. B. MOUNTING DETAIL  
TOLERANCE 0.1  
VIEWED FROM MOUNTING SIDE



指定なき部分の許容差 TOLERANCES UNLESS OTHERWISE SPEC	
$L \leq 10$	±0.3
$10 < L < 100$	±0.5
$100 \leq L$	±0.8
角度 ANGULAR DIMENSION	±5°

PART NO.	NAME	MATERIAL NAME / CODE	FINISH
<b>ALPS ELECTRIC CO., LTD.</b>			
		DSGD. 1-セツキイ 906011 Y. SAITOH 96-01-31	SCALE NO: 1:1 150° CLICK
		CHKD. U. Ohya '96.02.01	TITLE 27形1軸2速VR組立図
初設	'83-2-24	大谷	作本
SYMB	DATE	APPD	CHKD DSGD
		Y. Yoshida '96.02.01	
		UNIT	DOCUMENT NO.
		mm	K272A0A0K

OR

## X-ON Electronics

Largest Supplier of Electrical and Electronic Components

*Click to view similar products for [alps manufacturer](#):*

Other Similar products are found below :

[EC11E1814404](#) [EC12E1220301](#) [SCZA2A0100](#) [SKQRACE010](#) [SLLB310300](#) [SLLQ110100](#) [SPEE120100](#) [HMSZS1001A](#) [SPVT130101](#)  
[RK08H11100UD](#) [SSSU124900](#) [EC11J0924802](#) [SPVF110100](#) [SCZA1A0300](#) [SLLB310500](#) [SLLQ120100](#) [SDKZ1R0200](#) [SPVQ811006](#)  
[PTMBL1912A](#) [RK09K111F15C0B104](#) [RK09K1130D62](#) [RK50114A0001](#) [SCDG2A0101](#) [SPEF120100](#) [SSSS928500](#) [SSGM680200](#)  
[EC11E09244BS](#) [SKHLLAA010](#) [UE200013](#) [SCJB1B0301](#) [RD1010030A](#) [EC10E1260507](#) [RK27112A0-F20-C0-V503](#) [RK09L124000Z](#)  
[RD7081015A](#) [RDCC010002](#) [RK09L1120A2S](#) [SRBM140700](#) [RS6011Y50K](#) [RK0972210-F30-31-B103](#) [RD1Y50010A](#) [RD1030211A](#)  
[SSSS213800](#) [EC35A0930401](#) [RS30H11AA009](#) [SPVQ820502](#) [RK14K12C0A0T](#) [RS45112-0620-C0-P1-A203](#) [RK09K1110B1V](#)  
[RK11K1140A3L](#)