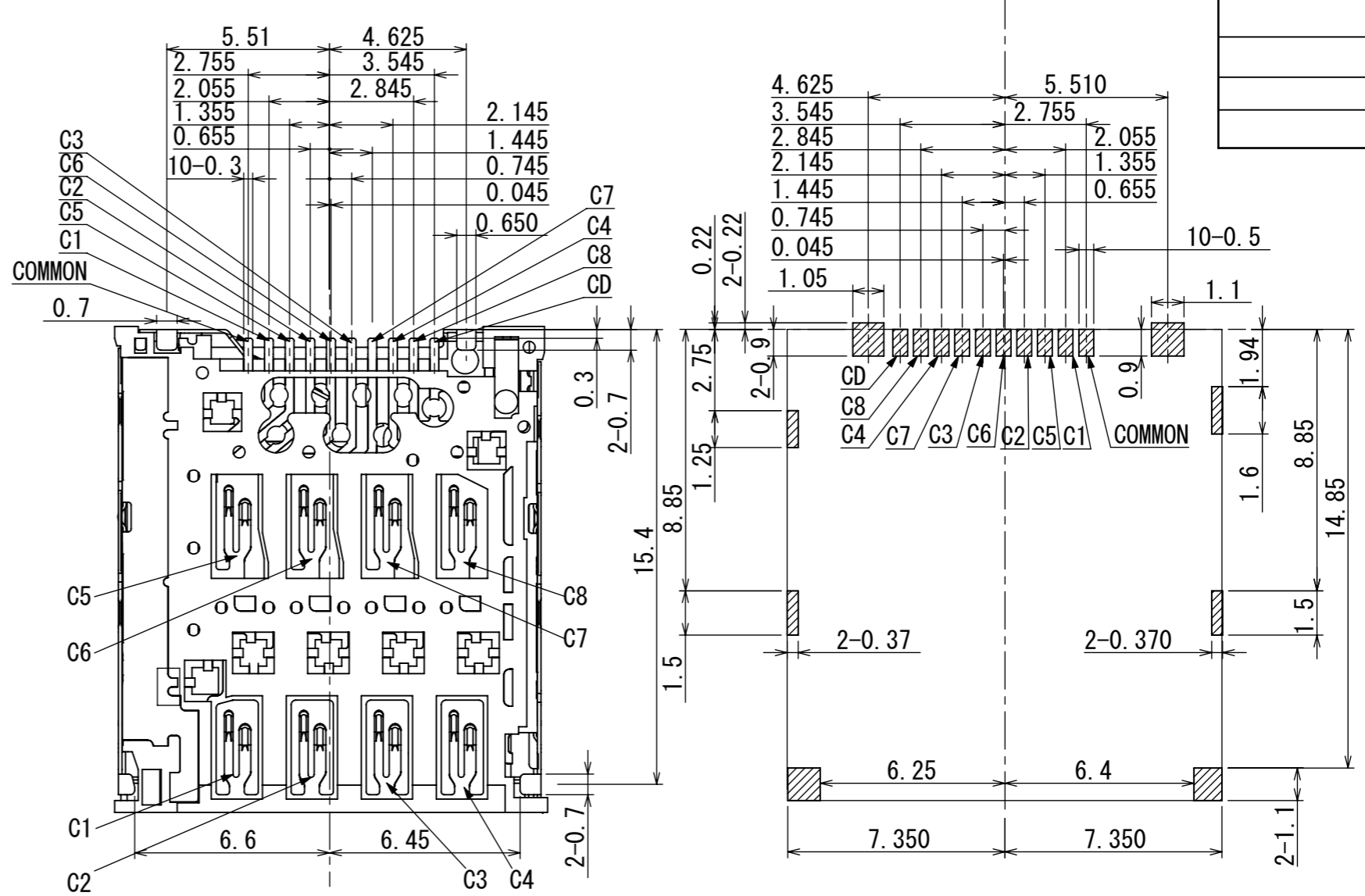
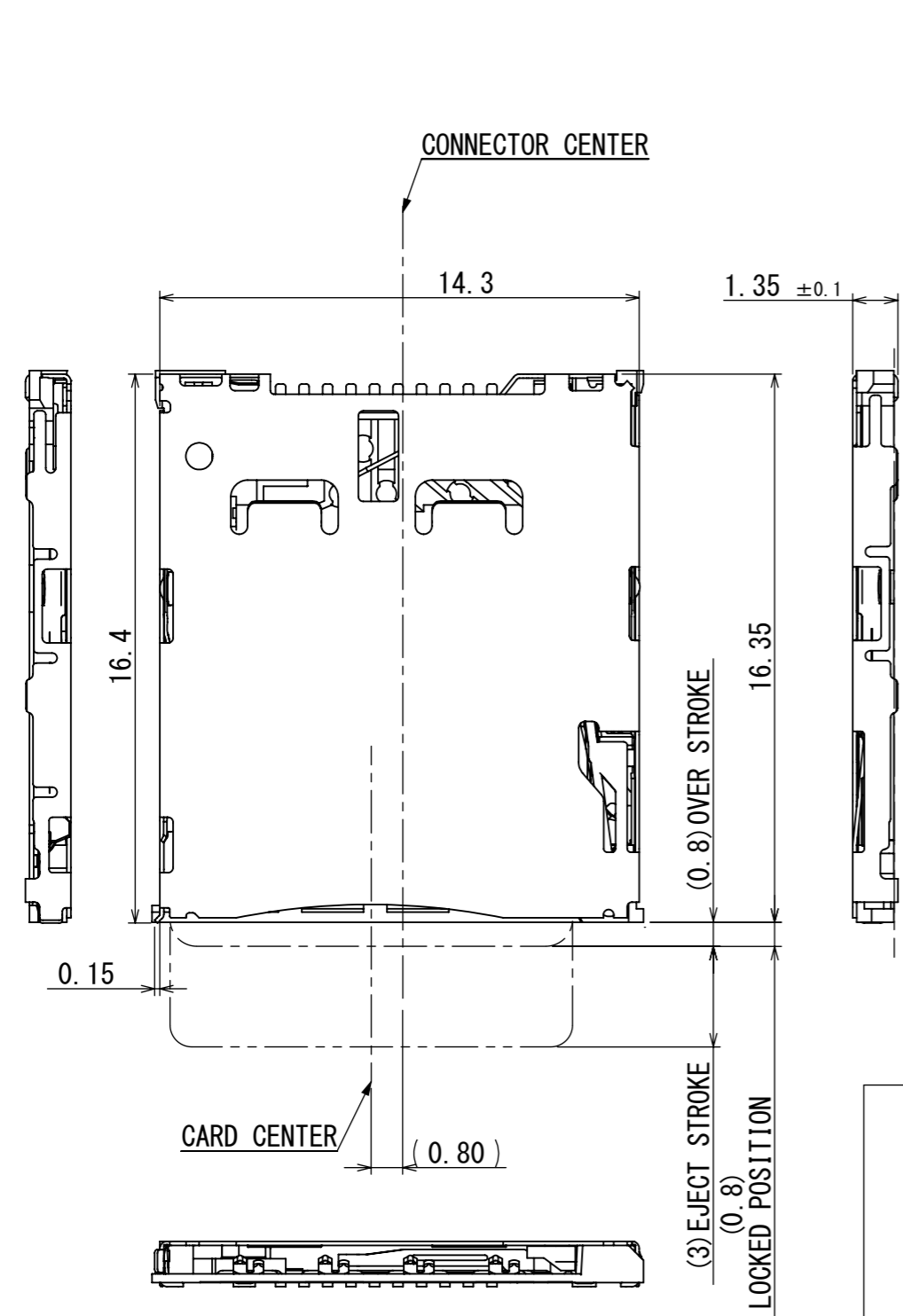
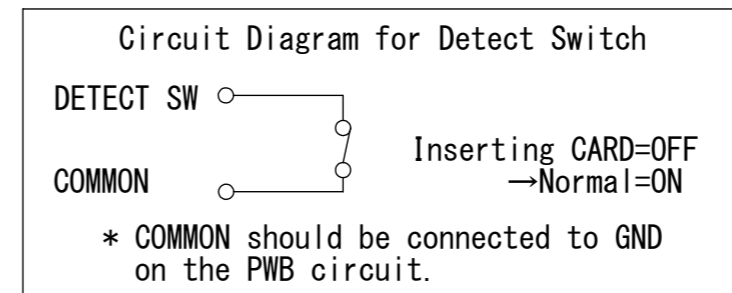
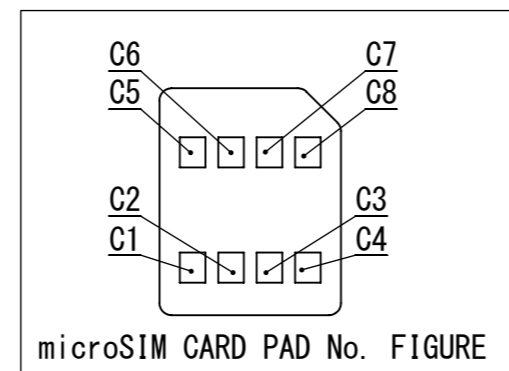


背景
BACK GROUND
SCGD1B0209



□: NO PATTERN AREA
▨: LAND AREA

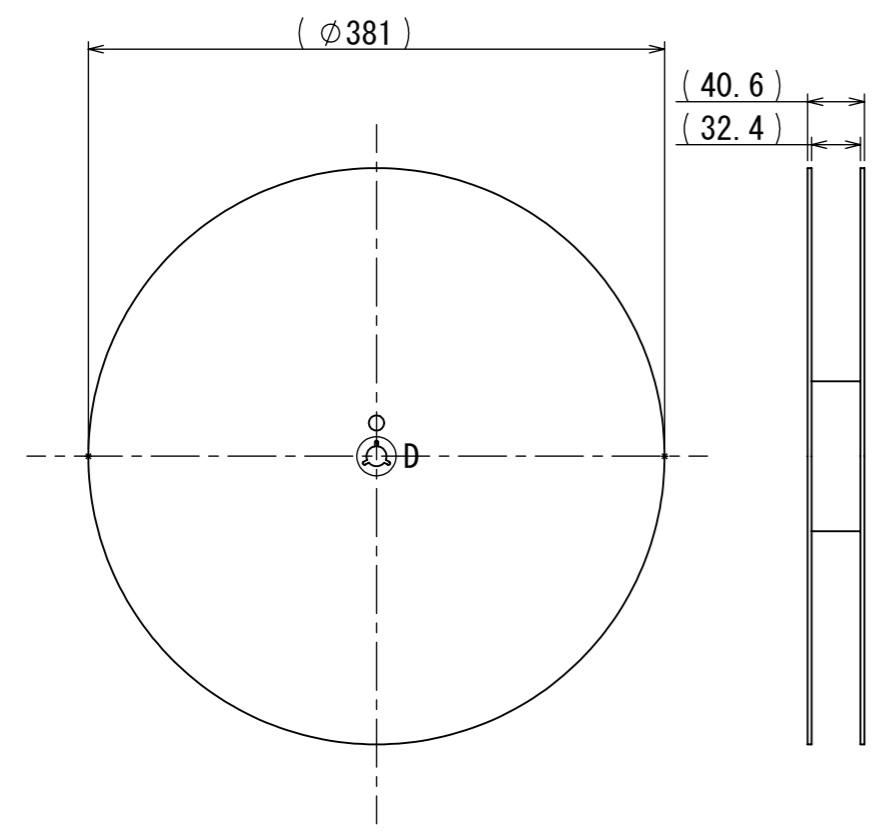


RECOMMENDED P. W. BOARD LAYOUT
(MOUNTING FACE SIDE)
ALL TOLERANCE UNDESCRIBED ARE ±0.05

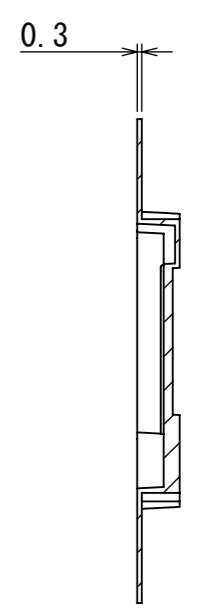
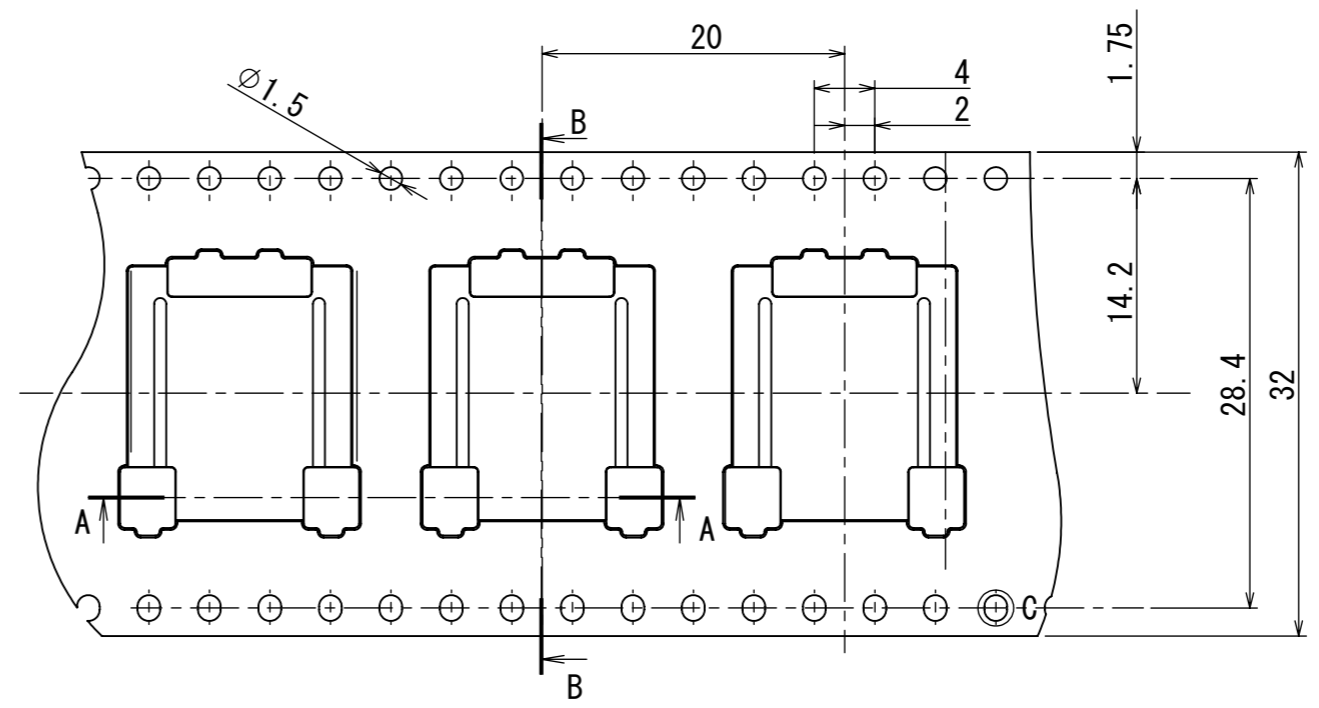
NOTE. 1. This connector is standard mount type
2. This connector is push-push type
3. All terminals coplanarity :0.1max. (initial)

TOLERANCES UNLESS OTHERWISE SPEC	
BASIC DIMENSIONS	TOLERANCES
UP TO 10	±0.3
ABOVE 10 TO 100	±0.5
ABOVE 100	±0.8
ANGULAR DIMENSION	±5°

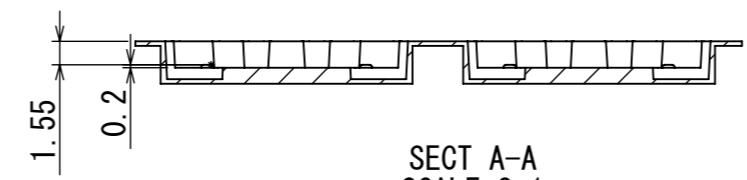
SYMB	DATE	APPD	CHKD	DSGD	<p>ALPS ELECTRIC CO., LTD.</p> <p>DSGD. JUL. 21. 2014 K. WANG</p> <p>CHKD. Jul 21 2014 w. Oguchi</p> <p>APPD. Jul 21 2014 w. Oguchi</p>	SCALE	NO.
						SCGD1B0209	
						TITLE PRODUCT DRAWINGS (1/2)	
						DOCUMENT NO. SCGD1B0209, AE12, 00	



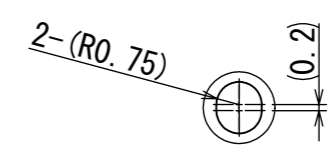
REEL CORE



SECT B-B SCALE 2:1

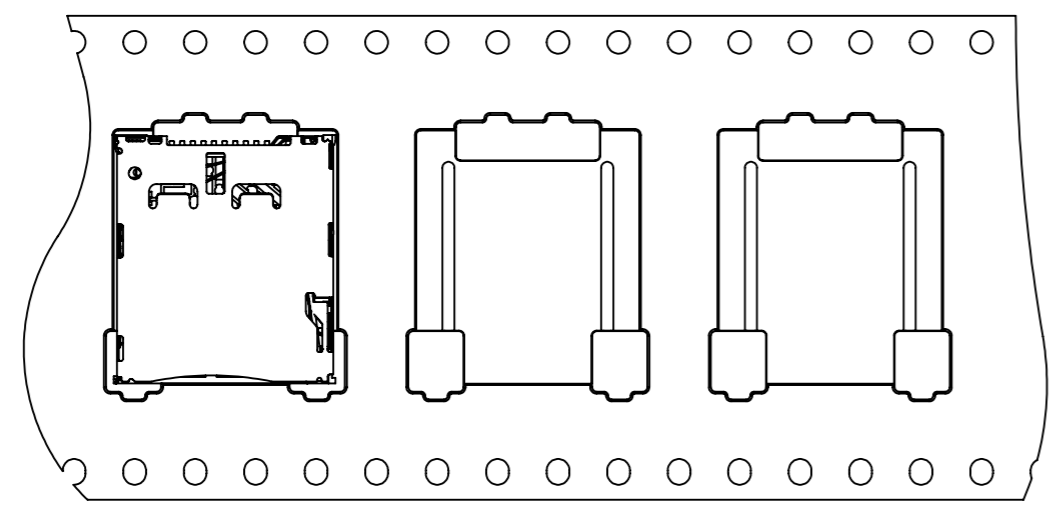


SECT A-A SCALE 2:1

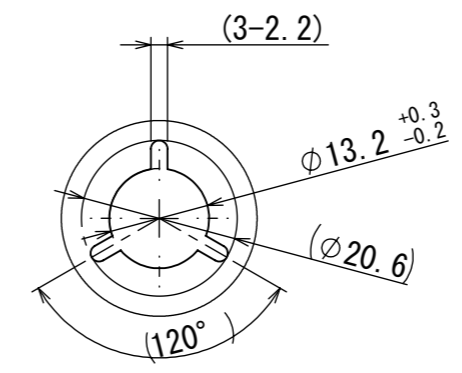


DETAIL C SCALE 4:1

FEED DIRECTION →



PRODUCT PACKING STATE



DETAIL D SCALE 1:1

2. 1600PCS/REEL
 NOTE. 1. SPECIFICATION OF TAPING:TAPE-S-029

					ALPS ELECTRIC CO., LTD.		
					DSGD. JUL. 21. 2014	SCALE	NO.
					K. WANG		SCGD1B0209
					CHKD. Jul 21 2014 w. Oguchi		TITLE
					APPD. Jul 21 2014 w. Oguchi		UNIT
SYMB	DATE	APPD	CHKD	DSGD	mm	DOCUMENT NO.	SCGD1B0209, AE22, 00

X-ON Electronics

Largest Supplier of Electrical and Electronic Components

Click to view similar products for [Memory Card Connectors](#) category:

Click to view products by [ALPS](#) manufacturer:

Other Similar products are found below :

[M21-033321-005](#) [6407-249V-25273P](#) [6407-249V-25343P](#) [6426-201-21343](#) [69.920.0553.0](#) [FCN-568P068-G/07-4V](#) [809180410000000](#)
[N7E50-7516PG-20-WF](#) [21920-5](#) [2041353-2](#) [33CFAE-DN](#) [502431-1011](#) [EN2997S61212BN](#) [EN2997SE61212BN](#) [617230001](#) [95622-003LF](#)
[95079-00CALF](#) [84648-056HLF](#) [68-580163-21S](#) [33DVIR-29S12R](#) [125A-78C00](#) [MI20A-50PD-SF-EJL\(71\)](#) [KP10S-SF-PEJ\(812\)](#) [504536-](#)
[0691](#) [504580-0691](#) [CCM03-3109 B LFT](#) [2309923-1](#) [61126-050CAHLF](#) [G85DT17001P1EU](#) [G85B21611142HHR](#) [GSD090144HR](#)
[G85D1140022P1HR](#) [GMCB05801124EU](#) [112K-TAA0-RA1](#) [115S-ACA2](#) [115S-ACA3](#) [115S-BS00](#) [115S-BT00](#) [115V-AD00](#) [MCSP-Q1-08-](#)
[A-SG-T/R](#) [503960-0695](#) [101B-TAA0-R](#) [101D-TAAA-R01](#) [101D-TAAB-R01](#) [104D-TCA0-R06](#) [104B-TAA0-R](#) [112C-TBAR-R02](#) [114B-](#)
[40B00-R02](#) [112G-TA00-R](#) [112J-TDAR-R01](#)