

# Slim Type Single Pole Rocker Type SDDJF1A Series

| Dimensions | Circuit Diagram | Packing Specifications | Soldering Conditions |

PRINT

Part number	<b>SDDJF1A100</b>		
Type	Rocker		
Circuit arrangement	SPST		
Travel	4.6mm		
Operating force	3±2N		
Mounting method	Snap-in		
Terminal type	For Lead		
Marking (knob)	Without		
SEMKO (ENEC)	10(6)/250~, 8A/128A 250V~		
Operating temperature range	-10°C to +55°C		
Rating	8A/128A 250V~, 10(6)/250~		
Electrical performance	Contact resistance	100mΩ max.	
	Insulation resistance	500MΩ min. 500V DC	
	Voltage proof	2,000V AC for 1 minute	
Mechanical performance	Terminal strength	50N for 1 minute	
	Actuator strength	Operating direction	25N
		Perpendicular direction	25N
Durability	Operating life	10,000 cycles 10A 250V AC	
Environmental performance	Cold	-20°C 96h	
	Dry heat	85°C 96h	
	Damp heat	40°C, 90 to 95%RH 96h	
Minimum order unit (pcs.)	Japan	150	

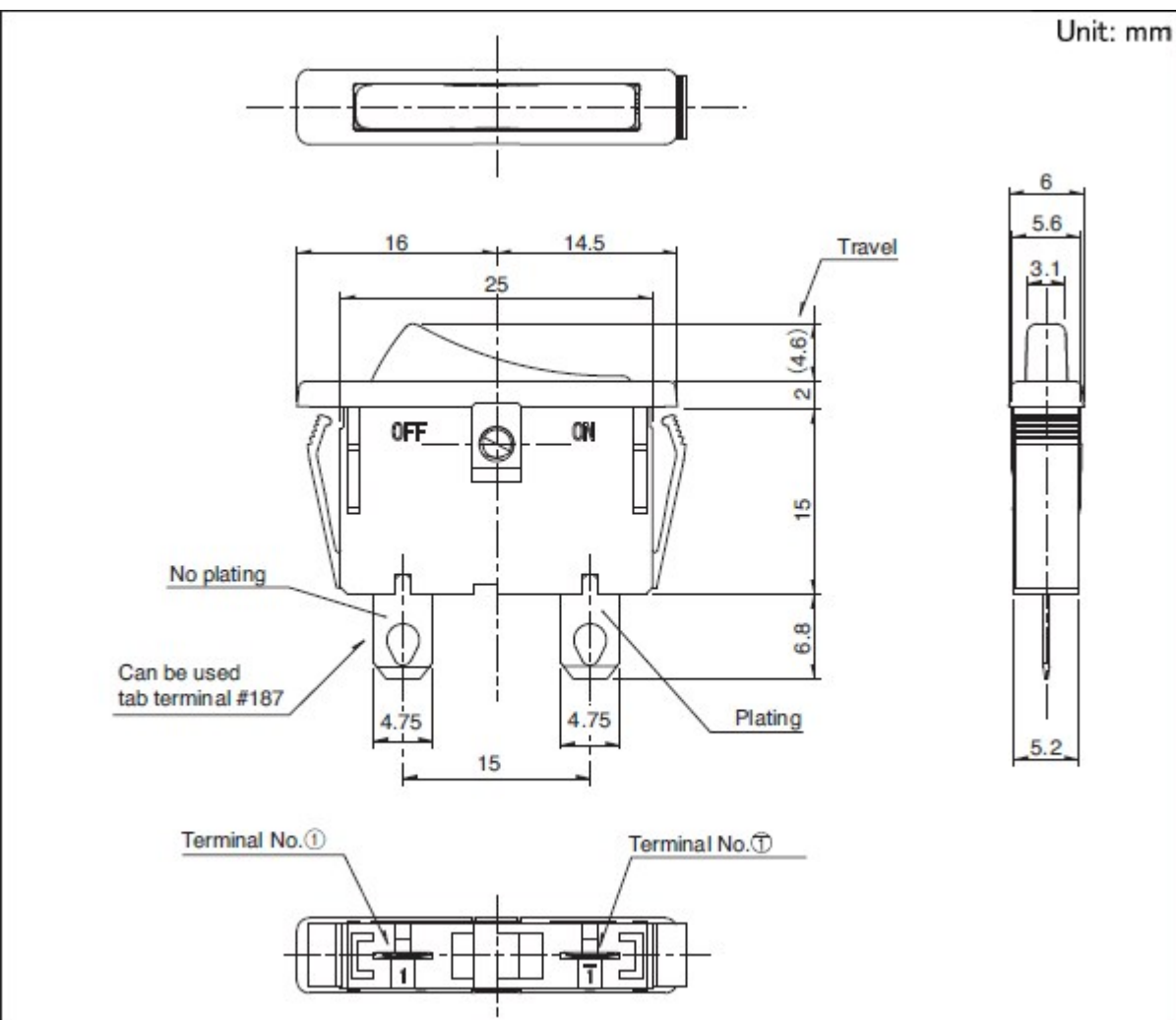
3D CAD (STEP)



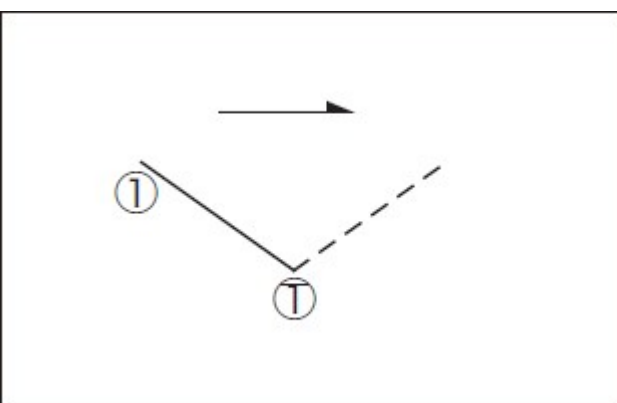
Certificate of Compliance to RoHS regulations



## Dimensions



## Circuit Diagram



## Packing Specifications

## Bulk

Number of packages 1 case / Japan 150  
 (pcs.)

1 case / export packing 750

---

Export package measurements (mm) 400×270×290

---

## Soldering Conditions

### Reference for Hand Soldering

---

Soldering temperature 350±10°C

---

Soldering time 3+1/0s

---

Notes are common to this series/models.

1. This site catalog shows only outline specifications. When using the products, please obtain formal specifications for supply.
2. Please place purchase orders per minimum order unit (integer).

## Inquiries about Products

 [Inquiry](#)

## X-ON Electronics

Largest Supplier of Electrical and Electronic Components

*Click to view similar products for [Rocker Switches](#) category:*

*Click to view products by [ALPS](#) manufacturer:*

Other Similar products are found below :

[LTI LA6E-1S-WH-RC-FN12VXCR1](#) [6-1571986-9](#) [8007K26N324V52](#) [8055K32Z7V](#) [8055K52Z7V](#) [8138K20E6M50](#) [84206L](#) [84312LX](#)  
[PREDD5-07F-BB0GW](#) [999-16716-002](#) [999-16716-003](#) [999-16716-004](#) [A101J1V3Q004](#) [A101J2ZQ004](#) [A101J4ZQ004](#) [A101J51CB0004](#)  
[A103J1ZQ004](#) [A201J1AQ004](#) [A201J3ZB004](#) [A201J50ZQ004](#) [A203J51ZQ0004](#) [A435S1YZQ](#) [H8500XBBBBBL-A](#) [H8653VBBG2577W](#)  
[HB130CHNWWNAAC](#) [R13112ABB-602W](#) [1251.0303](#) [AE205J60V3B004](#) [1352.0107](#) [1500G51E](#) [1571099-3](#) [1571987-4](#) [1571987-5](#)  
[1571989-7](#) [1571988-5](#) [B123J77V7B2](#) [B226J50W4Q22P](#) [B433J37ZQ22M](#) [160212E](#) [1634200-7](#) [1801.1164](#) [1839.1502](#) [PANEL-PLUG-VHP-](#)  
[BLACK](#) [PANEL-PLUG-VHP-WT](#) [K1ABBSCADN](#) [K2ABAAAAAA](#) [KG312A2DXD246X](#) [250011E714](#) [2600HM11E](#) [2600R21E](#)