

# General-purpose Type SPPB Series

| Photo | Dimensions | Mounting Hole Dimensions | Circuit Diagram | Packing Specifications |  
 | Soldering Conditions |

PRINT

Part number		<b>SPPB512300</b>
Operating direction		Vertical
Poles		1
Positions		1
Operation part shape		Push
Terminal type		For PC board (Dip)
Operating force		0.35N max.
Packaging style		Bulk
Operating temperature range		-40°C to +85°C
Rating (max.)/(min.) (Resistive load)		0.1A 30V DC/50μA 3V DC
Electrical performance	Contact resistance (Initial/After operating life)	1Ω max./2Ω max.
	Insulation resistance	100MΩ min. 100V DC
	Voltage proof	100V AC for 1 minute
Mechanical performance	Terminal strength	3N for 1 minute
	Actuator strength	10N
Durability	Operating life without load	50,000 cycles 2Ω max.
	Operating life with load Rating (max.) (Resistive load)	50,000 cycles 2Ω max.
Environmental performance	Cold	-40°C 500h
	Dry heat	85°C 500h
	Damp heat	60°C, 90 to 95%RH 500h

Minimum order unit (pcs.)	Japan	200
	Export	20,000

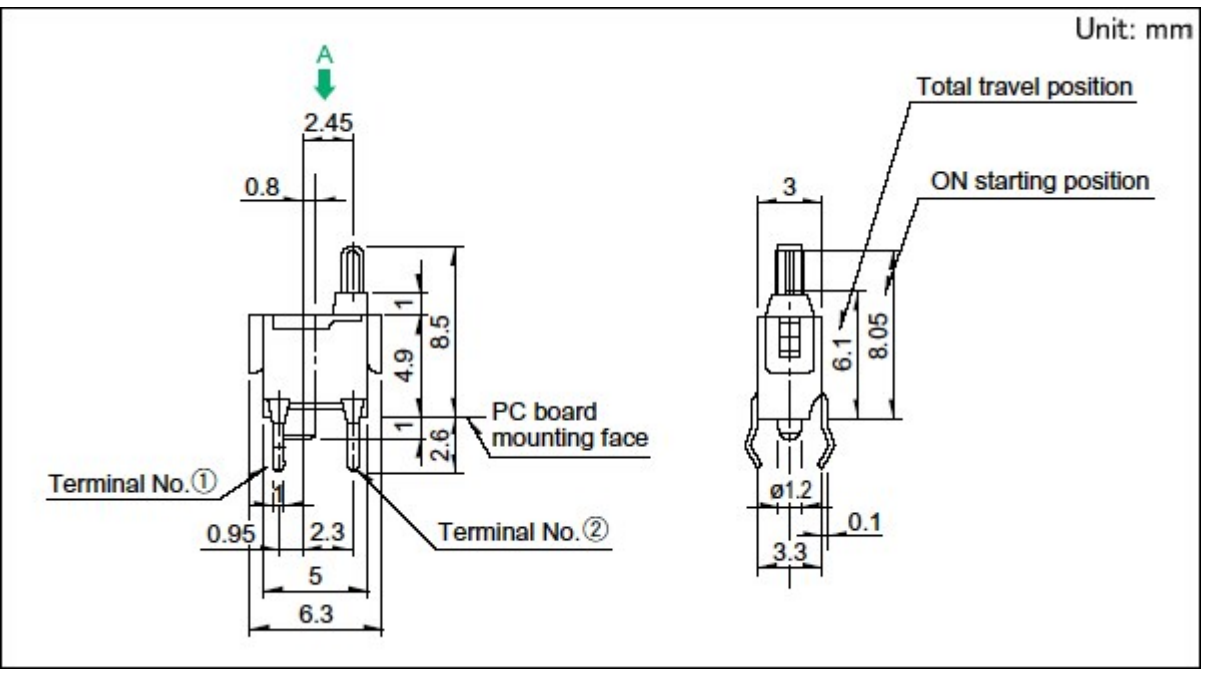
3D CAD (STEP) [↓](#)

Certificate of Compliance to RoHS regulations [↓](#)

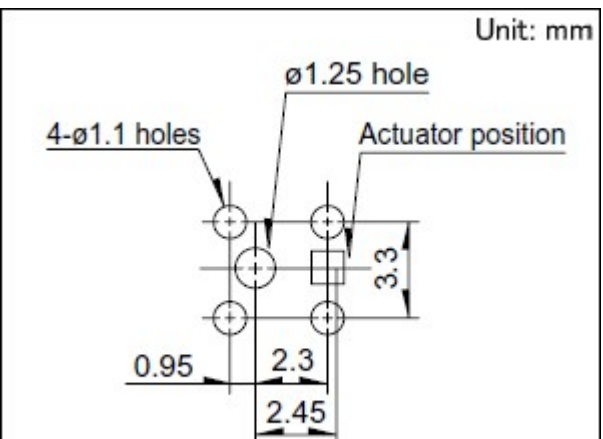
Photo



Dimensions

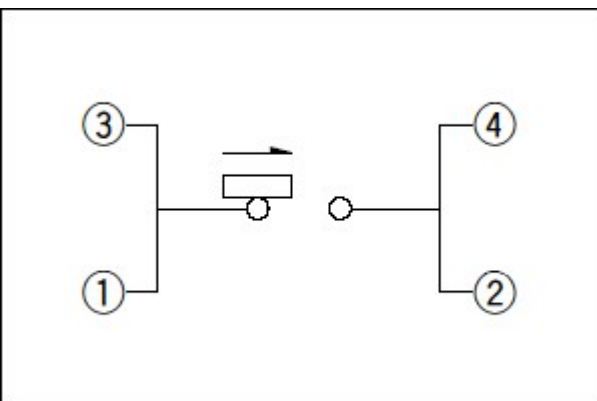


Mounting Hole Dimensions



Viewed from direction A in the dimensions.

## Circuit Diagram



## Packing Specifications

### Bulk

Number of packages 1 case / Japan 4,000  
(pcs.)

1 case / export  
packing 20,000

Export package measurements (mm) 400×270×290

## Soldering Conditions

### Reference for Dip Soldering

Items Preheating temperature 100°Cmax.

Preheating time 60s max.

Dip soldering Soldering temperature 255±5°C

Duration of immersion 5±1s

### Reference for Hand Soldering

Soldering temperature 350±5°C

Soldering time 5s max.

Notes are common to this series/models.

1. This site catalog shows only outline specifications. When using the products, please obtain formal specifications for supply.
2. Please place purchase orders per minimum order unit (integer).
3. This products can be used in vehicles.  
Although these products are designed to perform over a wide operating temperature range, please

ensure that you receive and read the formal delivery specifications before use.

## Inquiries about Products

 [Inquiry](#)

---

COPYRIGHT© 2017 ALPS ELECTRIC CO., LTD

## X-ON Electronics

Largest Supplier of Electrical and Electronic Components

*Click to view similar products for [Detector Switches](#) category:*

*Click to view products by [ALPS](#) manufacturer:*

Other Similar products are found below :

[E3S-LS5C4S](#) [SPVQ850300](#) [21075-6](#) [SPVQ860100](#) [K2CU-F20A-F AC220](#) [D3DM0005H](#) [D3DM0001E](#) [D3DM0003A](#) [HARB0012](#) [PP2-7H1-2D2](#) [PP1-FB7-2D2](#) [PP2-7U1-2B2](#) [PP1-ET7-2B2](#) [MR1000AWA](#) [MR1000BWA](#) [ESE-24SH6](#) [ESE-31R11T](#) [ESE-23F101](#) [ESE-13V01D](#) [ESE-13V01C](#) [ESE-13V01A](#) [ESE-13H01B](#) [ESE-11MH1T](#) [ESE-11MH2T](#) [ESE-11MV1](#) [ESE-31L11T](#) [HDS001R](#) [SPVL110102](#) [ESE-13V01B](#) [ESE-23J101](#) [SPPW811200](#) [ESE-58R61B](#) [SPVQ361300](#) [ESE-58R11B](#) [SPVT210201](#) [SPVL120101](#) [ESE-24CMV9T](#) [DS080](#) [DS0900502RP](#) [T0-SCB22MP1NC1](#) [T0-SCB22MP1NSX](#) [ESE-13H01A](#) [ESE-13H01C](#) [ESE-13H01D](#) [SPVN210101](#) [SPPB110300](#) [SPPB120200](#) [SPPB1A0100](#) [SPPB1A0101](#) [SPPB2A0100](#)