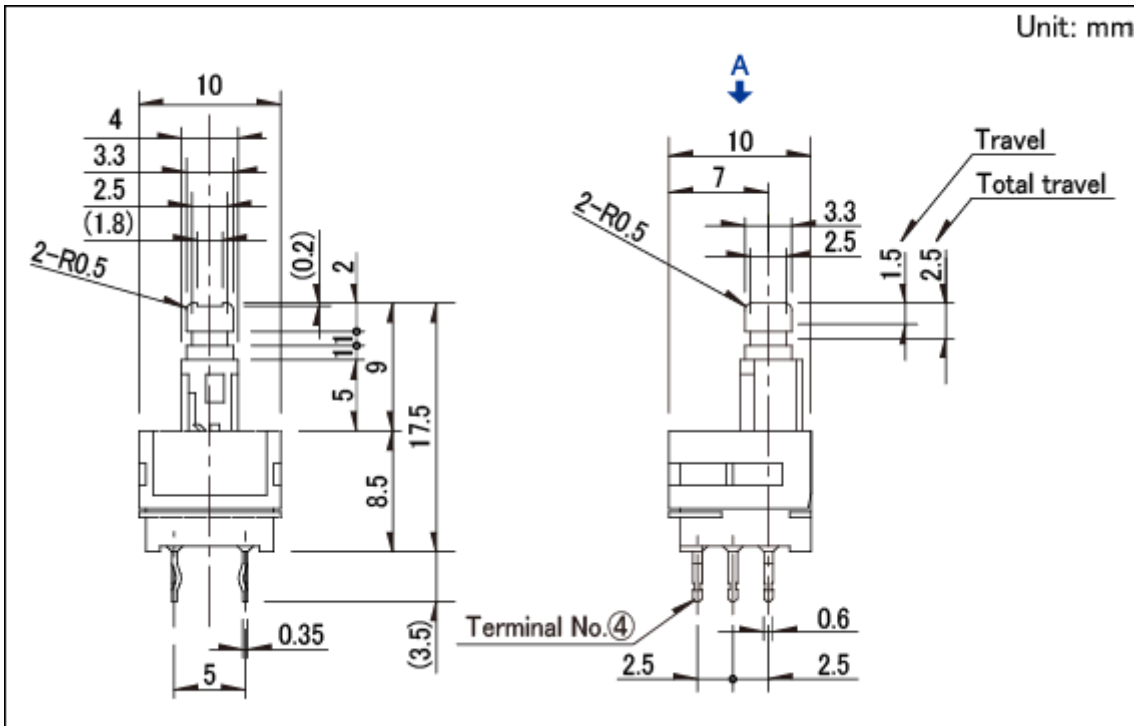




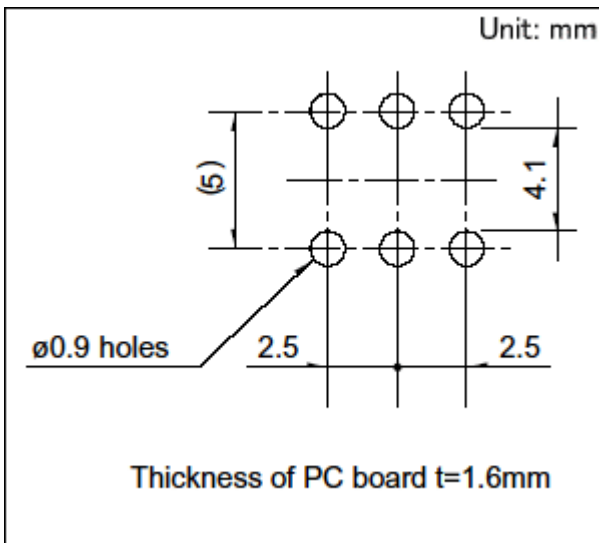
1.5mm-travel Vertical Type SPPH1 Series

Changeover timing	Non shorting	
Travel	1.5mm	
Total travel	2.5mm	
Operating force	2(+1, -0.7)N	
Mounting method	PC board	
Poles	2	
Knob style	Standard	
Operation	Latching	
Terminal type	Snap-in	
Operating temperature range	-10°C to +60°C	
Rating (max.)/(min.) (Resistive load)	0.1A 30V DC/50μA 3V DC	
Electrical performance	Contact resistance (Initial performance/After lifetime)	20mΩ max./40mΩ max.
	Insulation resistance	100MΩ min. 500V DC
	Voltage proof	500V AC for 1 minute
Mechanical performance	Terminal strength	5N for 1 minute
	Actuator strength Operating direction	50N
Durability	Operating life without load	10,000 cycles 40mΩ max.
	Operating life with load (at max. rated load)	10,000 cycles 40mΩ max.
Environmental performance	Cold	-20°C 96h
	Dry heat	85°C 96h
	Damp heat	40°C, 90 to 95%RH 96h
Minimum order unit (pcs.)	Japan	800

Dimensions

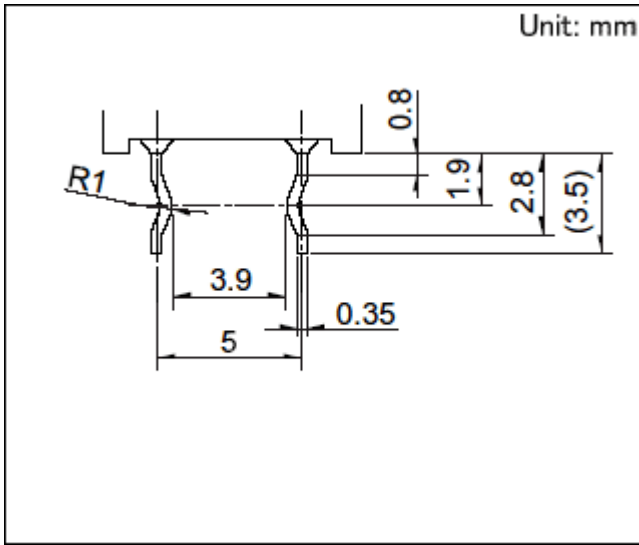


Mounting Hole Dimensions

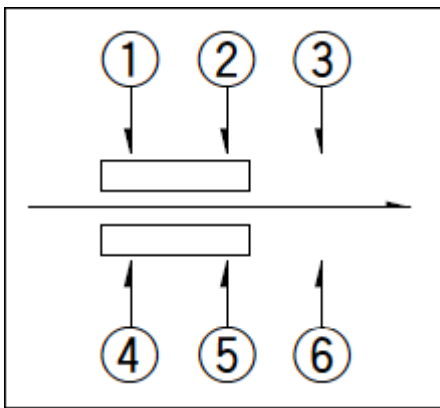


Viewed from direction A in the dimensions.

Terminal Configuration



Circuit Diagram



Packing Specifications

Bulk

Number of packages 1 case / Japan 800
(pcs.)

1 case / export 4,000
packing

Export package measurements (mm) 400×270×290

Soldering Conditions

Reference for Dip Soldering

Items Preheating temperature -
Preheating time -

Dip soldering Soldering temperature 260±5°C
Duration of immersion 10±1s

Reference for Hand Soldering

Soldering temperature 350±5°C

Soldering time

3+1/0s

Notes are common to this series/models.

1. This site catalog shows only outline specifications. When using the products, please obtain formal specifications for supply.
2. Please place purchase orders per minimum order unit (integer).
3. Products other than those listed in the above chart are also available. Please contact us for details.
4. This products can be used in vehicles.

Although these products are designed to perform over a wide operating temperature range, please ensure that you receive and read the formal delivery specifications before use.

X-ON Electronics

Largest Supplier of Electrical and Electronic Components

Click to view similar products for [Pushbutton Switches](#) category:

Click to view products by [ALPS](#) manufacturer:

Other Similar products are found below :

[LW1L-M1C10V-A](#) [LW2L-A1C20M-GD](#) [LW2L-M1C20M-A](#) [60324L](#) [M7E-HRN2](#) [67021K512](#) [67081K512X](#) [701PB580](#) [719-5504-000](#)
[MDPSSGLFS](#) [810KSV30B](#) [FLT 2U EE 01A](#) [MML21KA3ABK](#) [MML23KA3AC05K-001](#) [MML23KW3AA01W](#) [8418K2](#) [8646AB6X718UL](#)
[8646ABUL](#) [FSDWH](#) [9001KXRK](#) [9001T8BK](#) [9533CD4+U574+U4922](#) [1203MRA](#) [A22EM01S](#) [A595](#) [1202A6](#) [12037A2ULCSA](#) [1203A2UL](#)
[ABD122N-B](#) [1211390004](#) [ABN111-Y](#) [ABN400-R](#) [1211500044](#) [1211580012](#) [1212MRA](#) [1232A6NF](#) [RA3CSH6A](#) [1241.1183.7047](#)
[1241.2511](#) [1241.3428](#) [1223A2ULCSA](#) [1223MRA](#) [1232AX2119](#) [1241.1183.8000](#) [1241.1183.8029](#) [1241.2506](#) [1241.2606](#) [12MA6](#)
[1301940184](#) [RELBARF6X10\(PLASTIC\)](#)