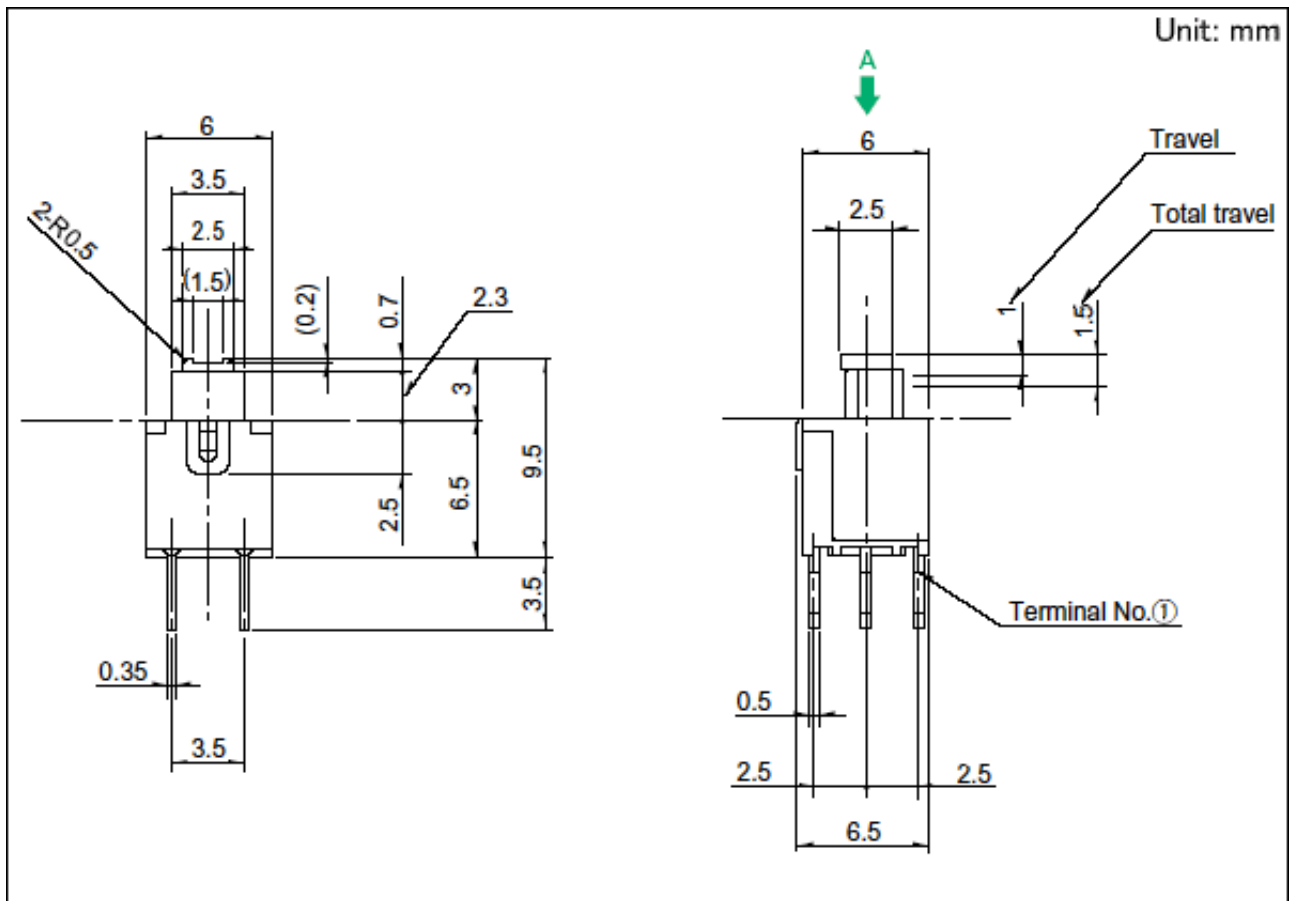


## 1.0mm-travel Compact-sized Vertical Type SPPH2 Series

Part number	<b>SPPH240100</b>	
Changeover timing	Non shorting	
Travel	1mm	
Total travel	1.5mm	
Operating force	2±1N	
Mounting method	PC board	
Poles	2	
Knob style	Short	
Operation	Latching	
Terminal type	Snap-in	
Operating temperature range	-10°C to +60°C	
Rating (max.)/(min.) (Resistive load)	0.1A 12V DC/50µA 3V DC	
Electrical performance	Contact resistance (Initial performance/After lifetime)	30mΩ max./50mΩ max.
	Insulation resistance	100MΩ min. 500V DC
	Voltage proof	500V AC for 1 minute
Mechanical performance	Terminal strength	5N for 1 minute
	Actuator strength    Operating direction	30N
Durability	Operating life without load	10,000 cycles
		50mΩ max.

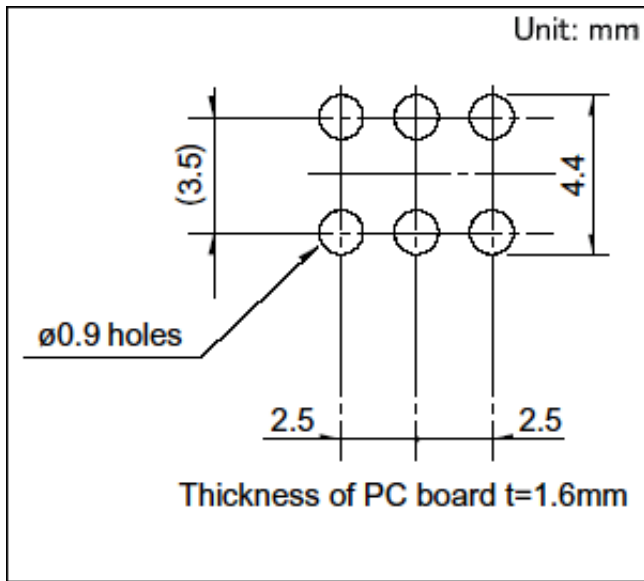
	Operating life with load (at max. rated load)	10,000 cycles 50mΩ max.
Environmental performance	Cold	-20±2°C for 96h
	Dry heat	85±2°C for 96h
	Damp heat	40±2°C, 90 to 95%RH for 96h
Minimum order unit (pcs.)	Japan	100
	Export	10,000

## Dimensions



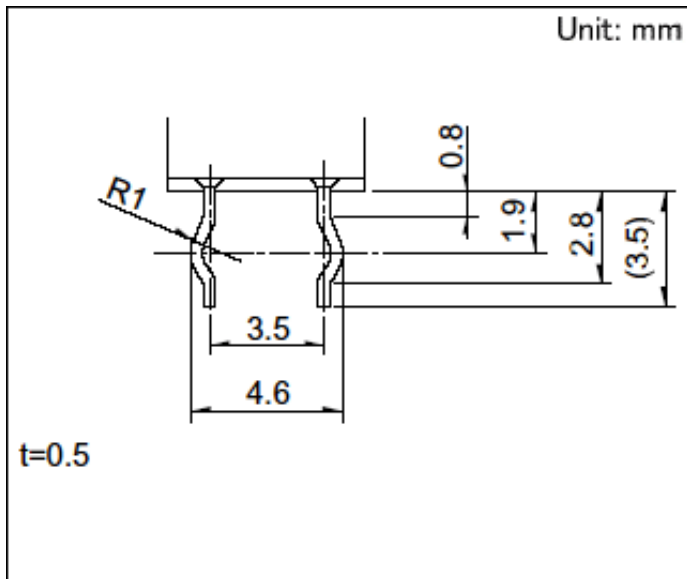
Only the configurations with the straight terminal are indicated in the dimensions.

## Mounting Hole Dimensions

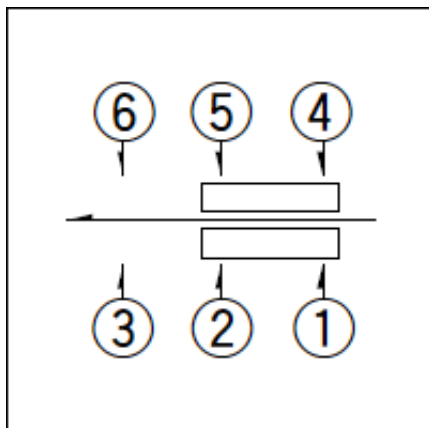


Viewed from direction A in the dimensions.

### Terminal Configuration



### Circuit Diagram



### Packing Specifications

## Bulk

---

Number of packages (pcs.)	1 case / Japan	2,000
	1 case / export packing	10,000
Export package measurements (mm)		400×270×290

---

## Soldering Conditions

### Reference for Dip Soldering

---

Items	Preheating temperature	-
	Preheating time	-
Dip soldering	Soldering temperature	260±5℃
	Duration of immersion	5±1s

---

### Reference for Hand Soldering

---

Soldering temperature	350±10℃
Soldering time	3s max.

---

## Notes are common to this series/models.

1. This site catalog shows only outline specifications. When using the products, please obtain formal specifications for supply.
2. Please place purchase orders per minimum order unit (integer).
3. Products other than those listed in the above chart are also available. Please contact us for details.

## X-ON Electronics

Largest Supplier of Electrical and Electronic Components

*Click to view similar products for [Pushbutton Switches](#) category:*

*Click to view products by [ALPS](#) manufacturer:*

Other Similar products are found below :

[8940K2012](#) [LW1L-M1C10V-A](#) [LW1L-M1C70-A](#) [LW2L-A1C20M-GD](#) [LW2L-M1C20M-A](#) [60324L](#) [M22-D-R-GB0/K11](#) [M7E-HRN2](#)  
[67021K512](#) [67081K512X](#) [701PB580](#) [7190K101](#) [7199K101](#) [810K12910](#) [810KSV30B](#) [MML21EA2ADK](#) [MML21KA3ABK](#)  
[MML23KA3AC05K-001](#) [MML23KW3AA01W](#) [8418K2](#) [8442K3](#) [8450K1](#) [860K11911T01A](#) [861901](#) [861K11911T01A07](#)  
[861K13810T00A14](#) [861K13911](#) [8646AB6X718UL](#) [8646ABUL](#) [9001KXRK](#) [907AYY100](#) [PMHD155A1](#) [95-313.000](#)  
[9533CD4+U574+U4922](#) [95-414.000](#) [99-450.837](#) [99-453.837](#) [PV3H2B0NN-341](#) [1203MRA](#) [A22NZBGANGA](#) [A22NZBMMNGA](#)  
[A22NZBNANGA](#) [A22NZMPATRA](#) [A2PMA1X03EC56](#) [A3A-5123-02](#) [A3A-7140](#) [A3A-7310](#) [A3A-7340](#) [A3U-TMW-A2C-5M](#) [A595](#)