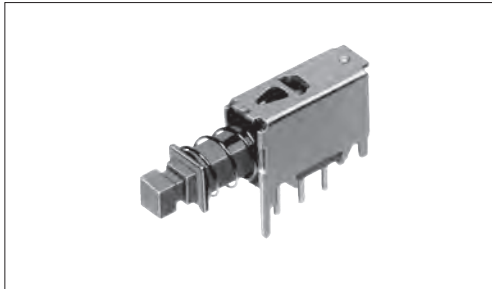


SPPJ3 2.5mm-travel Compact-sized Horizontal Type

Lever height 4.7mm, small sized horizontal type



Typical Specifications

Items		Specifications
Rating (max.)/(min.) (Resistive load)		0.2A 30V DC / 50μA 3V DC
Contact resistance (Initial/After operating life)		20mΩ max. / 40mΩ max.
Operating force	1-pole	2.3±1N
	2-pole	3.3±1N
Operating life	Without load	10,000 cycles
	With load	10,000 cycles (0.2A 30V DC)

Product Line

Changeover timing	Travel (mm)	Total travel (mm)	Mounting method	Poles	Operation	Terminal type	Minimum order unit (pcs.)		Product No.	Drawing No.
							Japan	Export		
Non shorting	2.5	3.5	PC board	1	Latching	For PC board	900	4,500	SPPJ310500	1
					Momentary					
				2	Latching				SPPJ320600	2
					Momentary					

Packing Specifications

Bulk

Number of packages (pcs.)		Export package measurements (mm)
1 case / Japan	1 case / export packing	
900	4,500	400×270×290

Dimensions

Unit:mm

No.	Style	PC board mounting hole dimensions (Viewed from the direction A)
1	<p>1-pole, 2-position</p>	

SPPJ3 2.5mm-travel Compact-sized Horizontal Type

Detector

Slide

Push

Rotary

Power

Dual-in-line
Package Type

Horizontal
Type

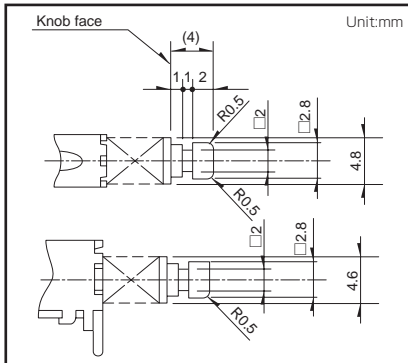
Vertical
Type

■ Dimensions

Unit:mm

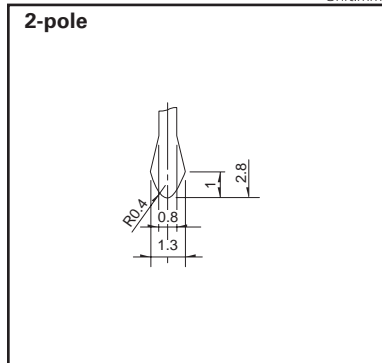
No.	Style	PC board mounting hole dimensions (Viewed from the direction A)
2	2-pole, 2-position 	

■ Actuator Configuration at Front Edge



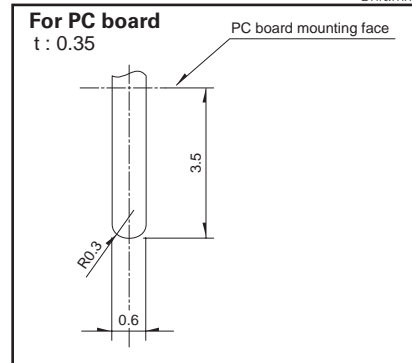
■ Detail of ①

Unit:mm

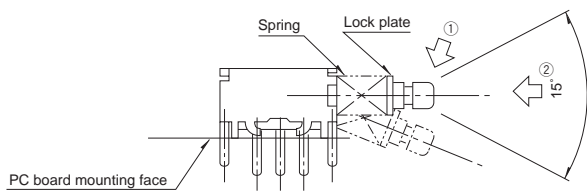
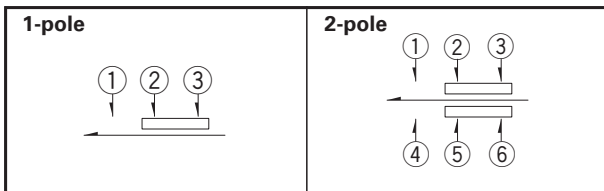


■ Terminal Configuration

Unit:mm



■ Circuit Diagram (Viewed from Direction A)



Note

The SPPJ3 series should be operated in arrow 2 direction as shown in the following figure and applied within an angle of 15° based from the center. If excessive force is applied to the lever from arrow ① direction, it may fall down as illustrated and cause malfunctions.

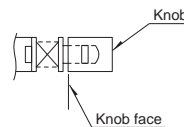
■ Knob Lineup

Unit:mm

Knob outline drawing	Model
	UJ206022

Notes

We recommend the use of adhesive to secure the knob when mounting onto switches.













Push Switches

List of Varieties

Detector
Slide
Push
Rotary
Power
Push-line Package Type

Horizontal Type
Vertical Type

Series		Horizontal					
		SPPJ3	SPPJ2	SPUJ	SPUN	SPUN medium current	
Photo							
Dimensions (mm)	W	5 or 6.6	7.2	7.5	10		
	D	12		15.2 22.7	24 36		
	H	8.3	9.6	8.8	13		
Travel (mm)		2.5		2	2.5		
Total travel (mm)		3.5		3	3.5		
Number of poles		1 2	2	2 4			
Operating temperature range		-40°C to +85°C		-10°C to +60°C			
Automotive use		●	●	—	—	—	
Life cycle							
Rating (max.) (Resistive load)		0.2A 30V DC		0.1A 30V DC		1A 25V DC	
Rating (min.) (Resistive load)		50μA 3V DC				—	
Durability	Operating life without load	10,000 cycles 40mΩ max.			30,000 cycles 40mΩ max.	10,000 cycles 40mΩ max.	
	Operating life with load (at max. rated load)	10,000 cycles 40mΩ max.				5,000 cycles 40mΩ max.	
Electrical performance	Initial contact resistance	20mΩ max.					
	Insulation resistance	100MΩ min. 500V DC					
	Voltage proof	500V AC for 1minute					
Mechanical performance	Terminal strength	5N for 1minute					
	Actuator strength	Operating direction	50N	30N	50N		
		Pulling direction	—	—	50N		
Environmental performance	Cold	-40°C 96h	-20°C 96h				
	Dry heat	85°C 96h					
	Damp heat	40°C, 90 to 95%RH 96h					
Page		111	113	115	117		

Push Switches Soldering Conditions	130
Push Switches Cautions	131

Note

● Indicates applicability to all products in the series.

Push Switches / Soldering Conditions

Detector

Slide

Push

Rotary

Power

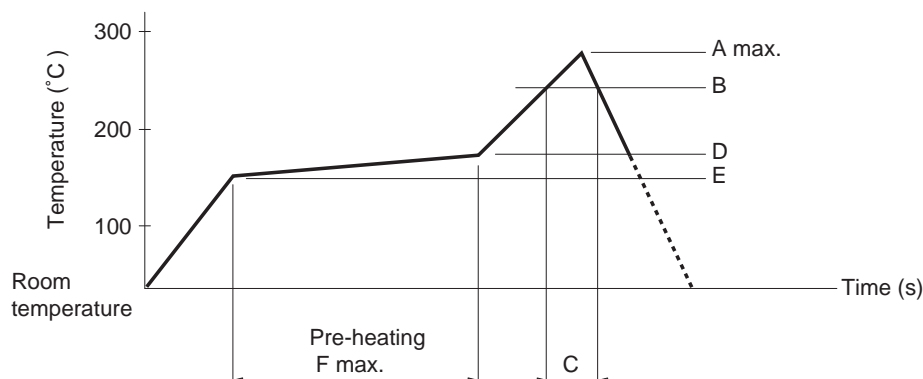
Dual-in-line
Package Type

Horizontal
Type

Vertical
Type

Example of Reflow Soldering Condition

1. Heating method: Double heating method with infrared heater.
2. Temperature measurement: Thermocouple ϕ 0.1 to 0.2 CA (K) or CC (T) at soldering portion (copper foil surface).
A heat resisting tape should be used for fixed measurement.
3. Temperature profile



Series (Reflow type)	A (°C) 3s max.	B (°C)	C (s)	D (°C)	E (°C)	F (s)
SPEJ	260	230	40	180	150	120
SPEF						
SPEH						

Notes

1. The condition mentioned above is the temperature on the mounting surface of a PC board. There are cases where the PC board's temperature greatly differs from that of the switch, depending on the PC board's material, size, thickness, etc.
The above-stated conditions shall also apply to switch surface temperatures.
2. Soldering conditions differ depending on reflow soldering machines. Prior verification of soldering condition is highly recommended.

Reference for Hand Soldering

Series	Soldering temperature	Soldering time
SPPJ3, SPPJ2, SPUN, SPUJ, SPPH4, SPPH1	350±10°C	3+1/0s
SPED2, SPED4	350±10°C	3±0.5s
SPEJ	350±10°C	4s max.
SPEF	350±5°C	3s max.
SPEH	350°C max.	3s max.

Reference for Dip Soldering

(For PC board terminal types)

Series	Items		Dip soldering	
	Preheating temperature	Preheating time	Soldering temperature	Duration of immersion
SPPJ3	100°C max.	60s max.	260±5°C	5±1s
SPUN	100°C max.	60s max.	260±5°C	10±1s
SPUJ, SPPH4	—		260±5°C	5±1s
SPPJ2, SPPH1, SPED2, SPED4, SPEF	—		260±5°C	10±1s

X-ON Electronics

Largest Supplier of Electrical and Electronic Components

Click to view similar products for [Pushbutton Switches](#) category:

Click to view products by [ALPS](#) manufacturer:

Other Similar products are found below :

[8940K2012](#) [LW1L-M1C10V-A](#) [LW1L-M1C70-A](#) [LW2L-A1C20M-GD](#) [LW2L-M1C20M-A](#) [60324L](#) [M22-D-R-GB0/K11](#) [M7E-HRN2](#)
[67021K512](#) [67081K512X](#) [701PB580](#) [7190K101](#) [7199K101](#) [810K12910](#) [810KSV30B](#) [MML21EA2ADK](#) [MML21KA3ABK](#)
[MML23KA3AC05K-001](#) [MML23KW3AA01W](#) [8418K2](#) [8442K3](#) [8450K1](#) [860K11911T01A](#) [861901](#) [861K11911T01A07](#)
[861K13810T00A14](#) [861K13911](#) [8646AB6X718UL](#) [8646ABUL](#) [9001KXRK](#) [907AYY100](#) [PMHD155A1](#) [95-313.000](#)
[9533CD4+U574+U4922](#) [95-414.000](#) [99-450.837](#) [99-453.837](#) [PV3H2B0NN-341](#) [1203MRA](#) [A22NZBGANGA](#) [A22NZBMMNGA](#)
[A22NZBNANGA](#) [A22NZMPATRA](#) [A2PMA1X03EC56](#) [A3A-5123-02](#) [A3A-7140](#) [A3A-7310](#) [A3A-7340](#) [A3U-TMW-A2C-5M](#) [A595](#)