

One-way Operation Type SPPW8 Series

| Photo | Dimensions | Land Dimensions | Terminal Layout | Circuit Diagram | Packing Specifications |
 | Soldering Conditions |

PRINT

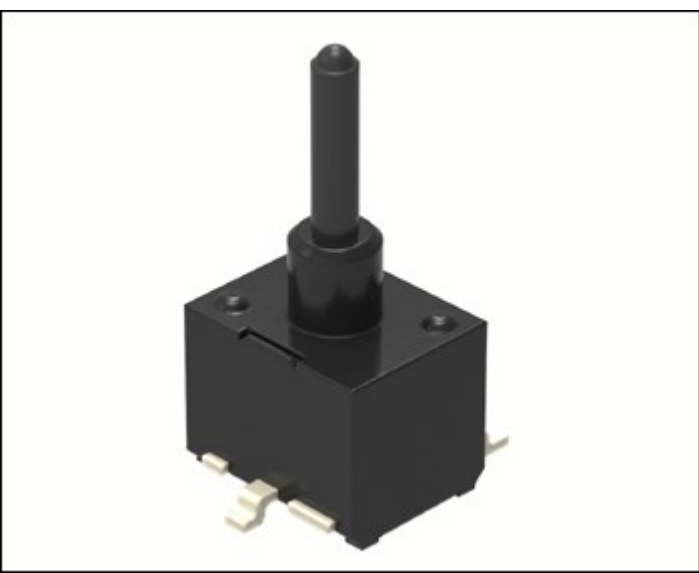
Part number	SPPW810401	
Poles	1	
Positions	1	
Terminal type	For PC board (Reflow)	
Operating force	0.3N max.	
Slider height (mm)	10.3	
ON start position (mm)	9.8	
Total travel position (mm)	8.6	
Operating temperature range	-10°C to +60°C	
Rating (max.)/(min.) (Resistive load)	0.1A 30V DC/100μA 3V DC	
Electrical performance	Contact resistance (Initial/After operating life)	1Ω max./2Ω max.
	Insulation resistance	100MΩ min. 100V DC
	Voltage proof	100V AC for 1 minute
Mechanical performance	Terminal strength	3N for 1 minute
	Actuator strength	10N
Durability	Operating life without load	100,000 cycles 2Ω max.
	Operating life with load Rating (max.) (Resistive load)	100,000 cycles 2Ω max..
Environmental performance	Cold	-20°C 96h
	Dry heat	85°C 96h
	Damp heat	40°C, 90 to 95%RH 96h

Minimum order unit (pcs.)	Japan	100
	Export	20,000

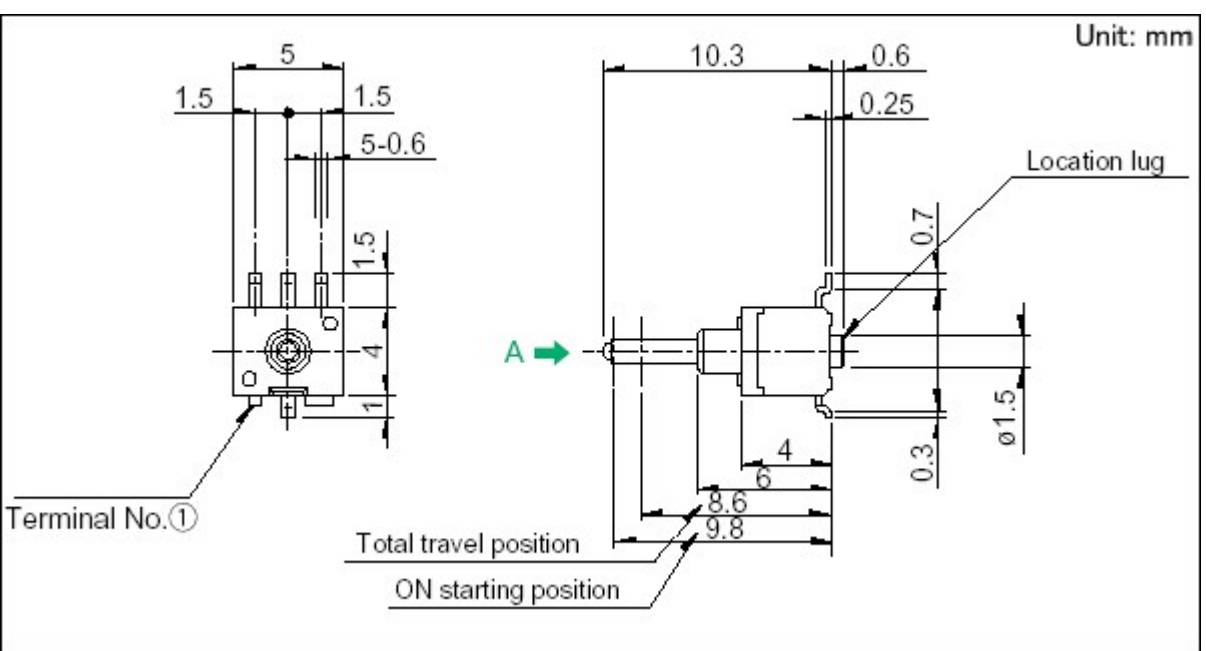
3D CAD (STEP) [↓](#)

Certificate of Compliance to RoHS regulations [↓](#)

Photo

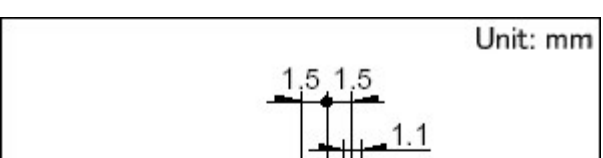


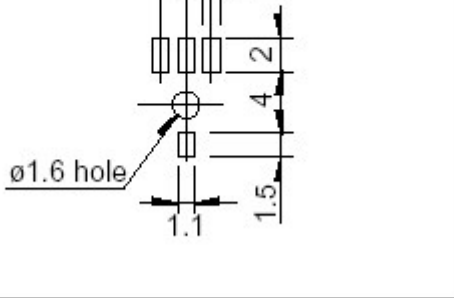
Dimensions



1. Products without location lug are also available.
2. Contact us for other slider height variations.
3. Contact us for other terminal types.

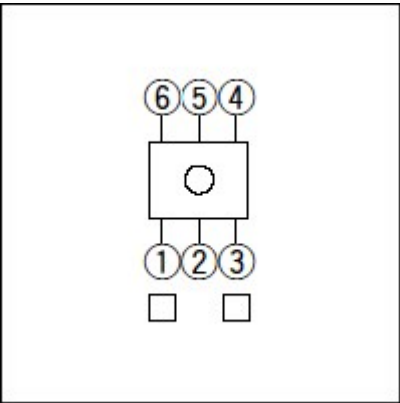
Land Dimensions





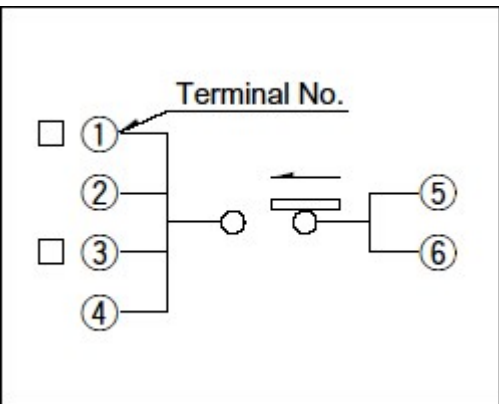
Viewed from direction A in the dimensions.

Terminal Layout



□ mark shows a cutting terminal.

Circuit Diagram



Packing Specifications

Bulk

Number of packages (pcs.)	1 case / Japan	4,000
	1 case / export packing	20,000
Export package measurements (mm)	400×270×290	

Soldering Conditions

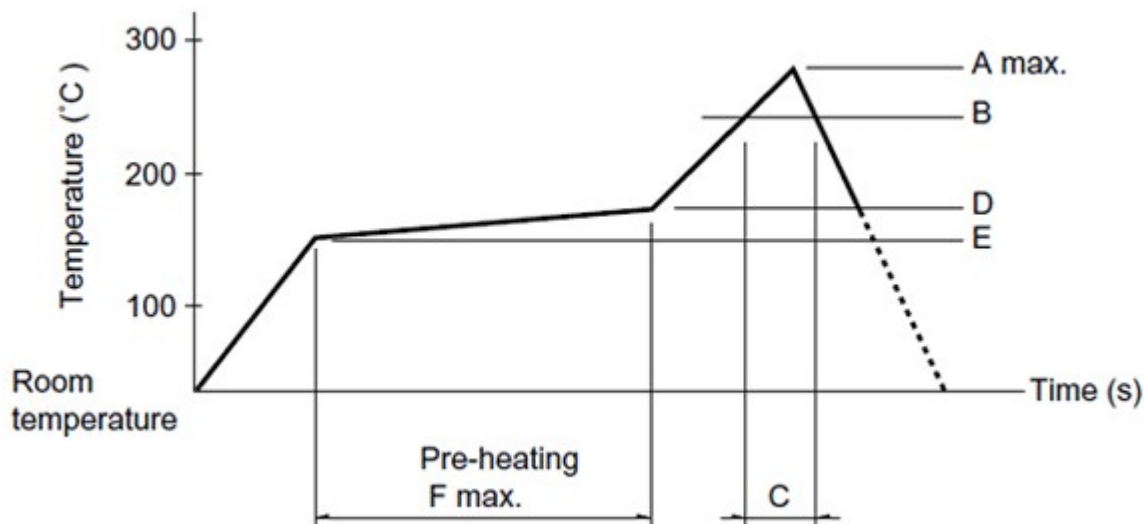
Example of Reflow Soldering Condition

1. Heating method
Double heating method with infrared heater.

2. Temperature measurement

Thermocouple 0.1 to 0.2VCA (K) or CC (T) at soldering portion (copper foil surface) . A heat resisting tape should be used for fixed measurement.

3. Temperature profile



A(°C)	B(°C)	C(s)	D(°C)	E(°C)	F(s)
250	230	35	180	150	120

(1) The condition mentioned above is the temperature on the mounting surface of a PC board. There are cases where the PC board's temperature greatly differs from that of the switch, surface depending on the PC board's material, size, thickness, etc. The above-stated conditions shall also apply to switch surface temperatures.

(2) Soldering conditions differ depending on reflow soldering machines. Prior verification of soldering condition is highly recommended.

Reference for Hand Soldering

Soldering temperature	350±5°C
Soldering time	3s max.

Notes are common to this series/models.

1. This site catalog shows only outline specifications. When using the products, please obtain formal specifications for supply.
2. Standard type dimensions indicate "with location lug." version.
3. Please place purchase orders per minimum order unit (integer).
4. Products other than those listed in the above chart are also available. Please contact us for details.

Inquiries about Products

[Inquiry](#)

X-ON Electronics

Largest Supplier of Electrical and Electronic Components

Click to view similar products for [Detector Switches](#) category:

Click to view products by [ALPS](#) manufacturer:

Other Similar products are found below :

[E3S-LS5C4S](#) [SPVQ850300](#) [21075-6](#) [SPVQ860100](#) [K2CU-F20A-F AC220](#) [D3DM0005H](#) [D3DM0001E](#) [D3DM0003A](#) [HARB0012](#) [PP2-7H1-2D2](#) [PP1-FB7-2D2](#) [PP2-7U1-2B2](#) [PP1-ET7-2B2](#) [MR1000AWA](#) [MR1000BWA](#) [ESE-24SH6](#) [ESE-31R11T](#) [ESE-23F101](#) [ESE-13V01D](#) [ESE-13V01C](#) [ESE-13V01A](#) [ESE-13H01B](#) [ESE-11MH1T](#) [ESE-11MH2T](#) [ESE-11MV1](#) [ESE-31L11T](#) [HDS001R](#) [SPVL110102](#) [ESE-13V01B](#) [ESE-23J101](#) [SPPW811200](#) [ESE-58R61B](#) [SPVQ361300](#) [ESE-58R11B](#) [SPVT210201](#) [SPVL120101](#) [ESE-24CMV9T](#) [DS080](#) [DS0900502RP](#) [T0-SCB22MP1NC1](#) [T0-SCB22MP1NSX](#) [ESE-13H01A](#) [ESE-13H01C](#) [ESE-13H01D](#) [SPVN210101](#) [SPPB110300](#) [SPPB120200](#) [SPPB1A0100](#) [SPPB1A0101](#) [SPPB2A0100](#)