

One-way Operation Type SPPW8 Series

| Photo | Dimensions | Mounting Hole Dimensions | Terminal Layout | Circuit Diagram |
 | Packing Specifications | Soldering Conditions |

PRINT

| | | |
|---------------------------------------|---|-------------------------|
| Part number | SPPW811200 | |
| Poles | 1 | |
| Positions | 1 | |
| Terminal type | For PC board (Dip) | |
| Operating force | 0.3N max. | |
| Slider height (mm) | 7.6 | |
| ON start position (mm) | 7.1 | |
| Total travel position (mm) | 5.9 | |
| Operating temperature range | -10°C to +60°C | |
| Rating (max.)/(min.) (Resistive load) | 0.1A 30V DC/100μA 3V DC | |
| Electrical performance | Contact resistance (Initial/After operating life) | 1Ω max./2Ω max. |
| | Insulation resistance | 100MΩ min. 100V DC |
| | Voltage proof | 100V AC for 1 minute |
| Mechanical performance | Terminal strength | 3N for 1 minute |
| | Actuator strength | 10N |
| Durability | Operating life without load | 100,000 cycles 2Ω max. |
| | Operating life with load Rating (max.) (Resistive load) | 100,000 cycles 2Ω max.. |
| Environmental performance | Cold | -20°C 96h |
| | Dry heat | 85°C 96h |
| | Damp heat | 40°C, 90 to 95%RH 96h |

| | | |
|---------------------------|--------|--------|
| Minimum order unit (pcs.) | Japan | 100 |
| | Export | 20,000 |

3D CAD (STEP)



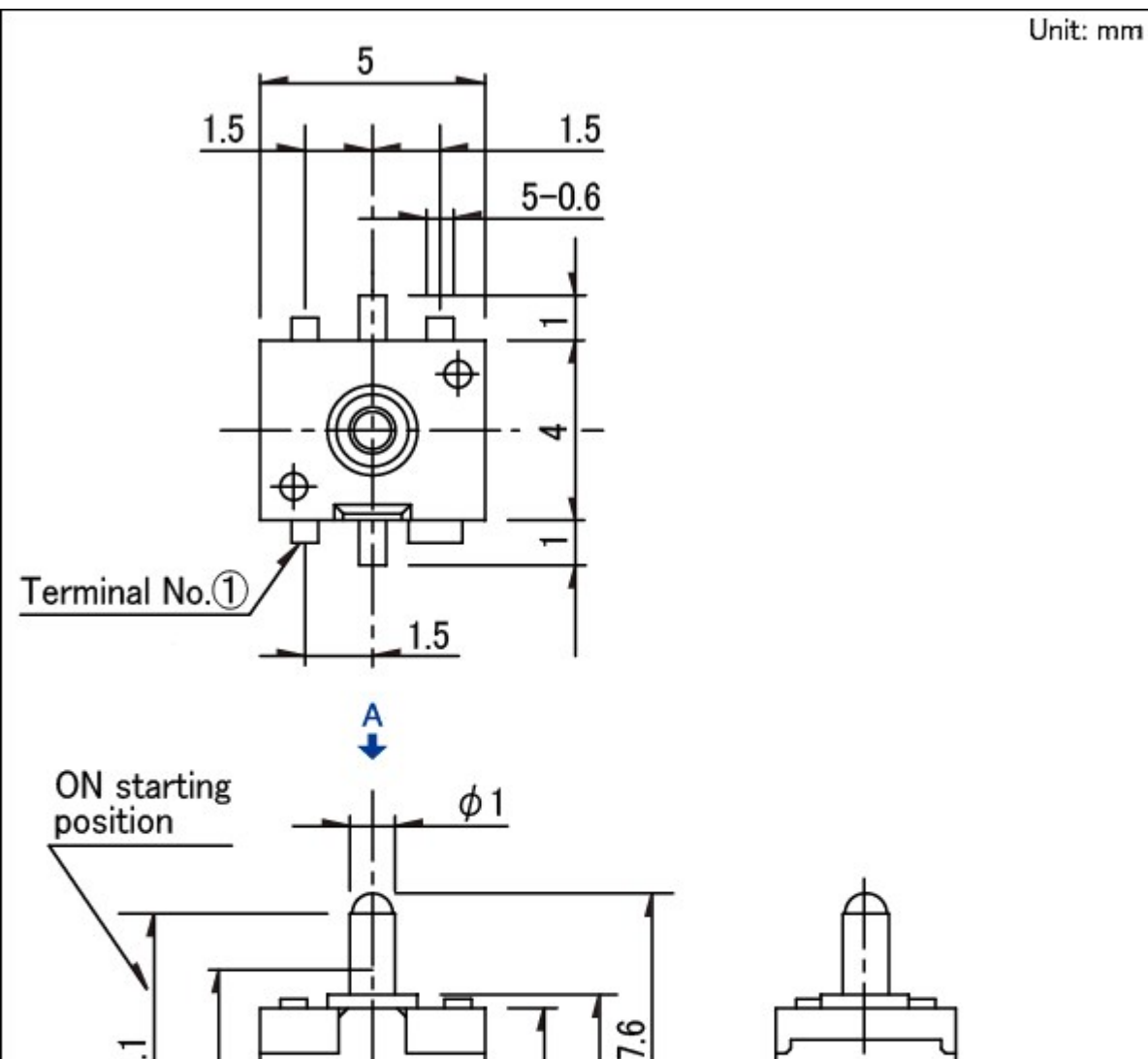
Certificate of Compliance to RoHS regulations

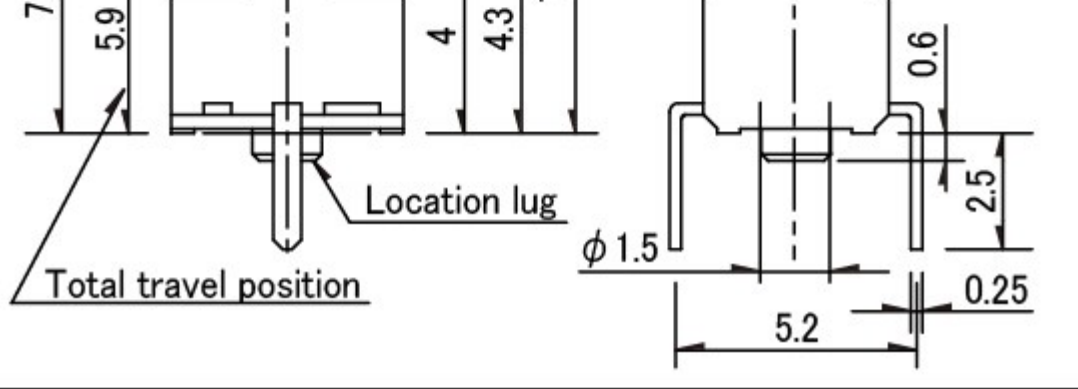


Photo

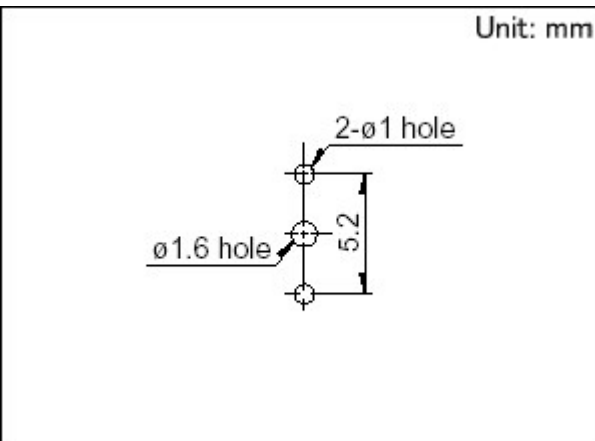


Dimensions

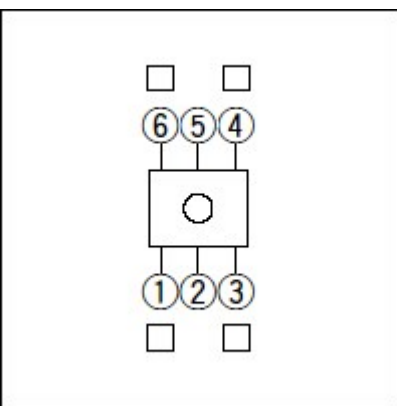




Mounting Hole Dimensions

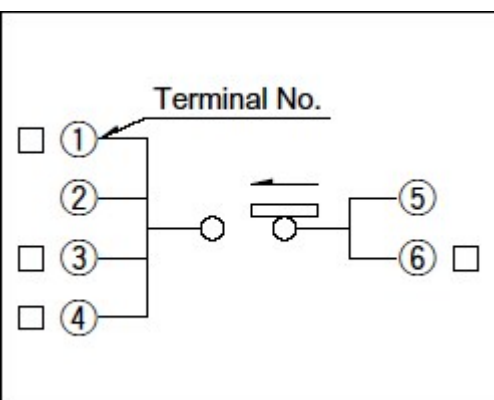


Terminal Layout



□ mark shows a cutting terminal.

Circuit Diagram



Packing Specifications

Bulk

| | | |
|----------------------------------|-------------------------|--------|
| Number of packages (pcs.) | 1 case / Japan | 4,000 |
| | 1 case / export packing | 20,000 |
| Export package measurements (mm) | 400×270×290 | |

Soldering Conditions

Reference for Dip Soldering

| | | |
|---------------|------------------------|-----------|
| Items | Preheating temperature | 100°Cmax. |
| | Preheating time | 60s max. |
| Dip soldering | Soldering temperature | 255±5°C |
| | Duration of immersion | 5±1s |

Reference for Hand Soldering

| | |
|-----------------------|---------|
| Soldering temperature | 350±5°C |
| Soldering time | 3s max. |

Notes are common to this series/models.

1. This site catalog shows only outline specifications. When using the products, please obtain formal specifications for supply.
2. Standard type dimensions indicate "with location lug." version.
3. Please place purchase orders per minimum order unit (integer).
4. Products other than those listed in the above chart are also available. Please contact us for details.

Inquiries about Products

 [Inquiry](#)

X-ON Electronics

Largest Supplier of Electrical and Electronic Components

Click to view similar products for [Detector Switches](#) category:

Click to view products by [ALPS](#) manufacturer:

Other Similar products are found below :

[E3S-LS5C4S](#) [SPVQ850300](#) [21075-6](#) [SPVQ860100](#) [K2CU-F20A-F AC220](#) [D3DM0005H](#) [D3DM0001E](#) [D3DM0003A](#) [HARB0012](#) [PP2-7H1-2D2](#) [PP1-FB7-2D2](#) [PP2-7U1-2B2](#) [PP1-ET7-2B2](#) [MR1000AWA](#) [MR1000BWA](#) [ESE-24SH6](#) [ESE-31R11T](#) [ESE-23F101](#) [ESE-13V01D](#) [ESE-13V01C](#) [ESE-13V01A](#) [ESE-13H01B](#) [ESE-11MH1T](#) [ESE-11MH2T](#) [ESE-11MV1](#) [ESE-31L11T](#) [HDS001R](#) [SPVL110102](#) [ESE-13V01B](#) [ESE-23J101](#) [SPPW811200](#) [ESE-58R61B](#) [SPVQ361300](#) [ESE-58R11B](#) [SPVT210201](#) [SPVL120101](#) [ESE-24CMV9T](#) [DS080](#) [DS0900502RP](#) [T0-SCB22MP1NC1](#) [T0-SCB22MP1NSX](#) [ESE-13H01A](#) [ESE-13H01C](#) [ESE-13H01D](#) [SPVN210101](#) [SPPB110300](#) [SPPB120200](#) [SPPB1A0100](#) [SPPB1A0101](#) [SPPB2A0100](#)