

# Water-proof Type SPVQ1 Series

| Photo | Dimensions | Circuit Diagram | Packing Specifications | Soldering Conditions |

PRINT

Part number	<b>SPVQ130200</b>	
Poles	1	
Positions	2	
Changeover timing	Non shorting	
Operation part shape	Actuator A	
Terminal type	For PC board	
Operating force	5.9N max.	
Main body form	Without boss	
Operating temperature range	-40°C to +85°C	
Rating (max.)/(min.) (Resistive load)	0.1A 12V DC/50μA 3V DC	
Electrical performance	Contact resistance (Initial/After operating life)	500mΩ max./1Ω max.
	Insulation resistance	100MΩ min. 500V DC
	Voltage proof	500V AC for 1 minute
Mechanical performance	Terminal strength	3N for 1 minute
	Actuator strength	20N
Durability	Operating life without load	300,000 cycles 1Ω max.
	Operating life with load Rating (max.) (Resistive load)	300,000 cycles 1Ω max.
Environmental performance	Cold	-40°C 500h
	Dry heat	85°C 500h
	Damp heat	60°C, 90 to 95%RH 500h

Minimum order unit (pcs.)	Japan	600
	Export	2,400

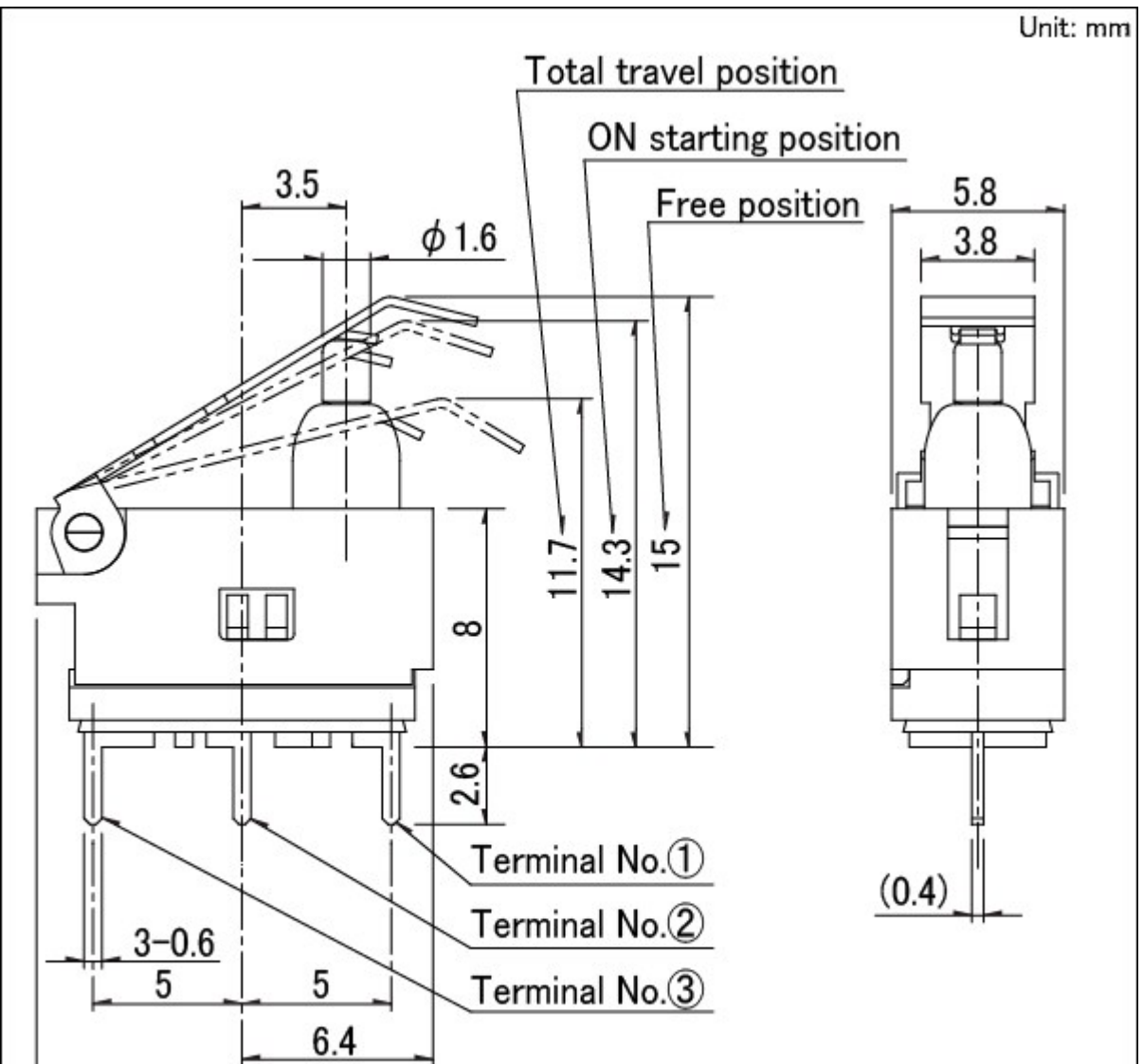
3D CAD (STEP) [↓](#)

Certificate of Compliance to RoHS regulations [↓](#)

### Photo

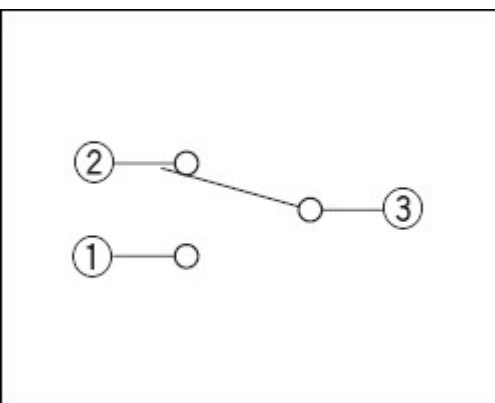


### Dimensions



13.3

## Circuit Diagram



## Packing Specifications

### Tray

Number of packages (pcs.)	1 case / Japan	600
	1 case / export packing	2,400
Export package measurements (mm)	540×360×230	

## Soldering Conditions

### Reference for Dip Soldering

Items	Preheating temperature	100±10°C
	Preheating time	60s max.
Dip soldering	Soldering temperature	260±5°C
	Duration of immersion	5±1s

### Reference for Hand Soldering

Soldering temperature	300±10°C
Soldering time	3+1/0s

Notes are common to this series/models.

1. This site catalog shows only outline specifications. When using the products, please obtain formal specifications for supply.
2. The length of lead wire is 250mm. For length modification, please contact us.

3. This unit cannot be used in water (IP67 rating, except for terminal).
4. Please place purchase orders per minimum order unit (integer).
5. This products can be used in vehicles.  
Although these products are designed to perform over a wide operating temperature range, please ensure that you receive and read the formal delivery specifications before use.

## Inquiries about Products

 **Inquiry**

## X-ON Electronics

Largest Supplier of Electrical and Electronic Components

*Click to view similar products for [Detector Switches](#) category:*

*Click to view products by [ALPS](#) manufacturer:*

Other Similar products are found below :

[E3S-LS5C4S](#) [SPVQ850300](#) [21075-6](#) [SPVQ860100](#) [K2CU-F20A-F AC220](#) [D3DM0005H](#) [D3DM0001E](#) [D3DM0003A](#) [HARB0012](#) [PP2-7H1-2D2](#) [PP1-FB7-2D2](#) [PP2-7U1-2B2](#) [PP1-ET7-2B2](#) [MR1000AWA](#) [MR1000BWA](#) [ESE-24SH6](#) [ESE-31R11T](#) [ESE-23F101](#) [ESE-13V01D](#) [ESE-13V01C](#) [ESE-13V01A](#) [ESE-13H01B](#) [ESE-11MH1T](#) [ESE-11MH2T](#) [ESE-11MV1](#) [ESE-31L11T](#) [HDS001R](#) [SPVL110102](#) [ESE-13V01B](#) [ESE-23J101](#) [SPPW811200](#) [ESE-58R61B](#) [SPVQ361300](#) [ESE-58R11B](#) [SPVT210201](#) [SPVL120101](#) [ESE-24CMV9T](#) [DS080](#) [DS0900502RP](#) [T0-SCB22MP1NC1](#) [T0-SCB22MP1NSX](#) [ESE-13H01A](#) [ESE-13H01C](#) [ESE-13H01D](#) [SPVN210101](#) [SPPB110300](#) [SPPB120200](#) [SPPB1A0100](#) [SPPB1A0101](#) [SPPB2A0100](#)