

Water-proof Type SPVQ1 Series

| Photo | Dimensions | Circuit Diagram | Packing Specifications | Soldering Conditions |

PRINT

| | | |
|---------------------------------------|---|------------------------|
| Part number | SPVQ130300 | |
| Poles | 1 | |
| Positions | 2 | |
| Changeover timing | Non shorting | |
| Operation part shape | Actuator B | |
| Terminal type | For PC board | |
| Operating force | 5.9N max. | |
| Main body form | Without boss | |
| Operating temperature range | -40°C to +85°C | |
| Rating (max.)/(min.) (Resistive load) | 0.1A 12V DC/50μA 3V DC | |
| Electrical performance | Contact resistance (Initial/After operating life) | 500mΩ max./1Ω max. |
| | Insulation resistance | 100MΩ min. 500V DC |
| | Voltage proof | 500V AC for 1 minute |
| Mechanical performance | Terminal strength | 3N for 1 minute |
| | Actuator strength | 20N |
| Durability | Operating life without load | 300,000 cycles 1Ω max. |
| | Operating life with load Rating (max.) (Resistive load) | 300,000 cycles 1Ω max. |
| Environmental performance | Cold | -40°C 500h |
| | Dry heat | 85°C 500h |
| | Damp heat | 60°C, 90 to 95%RH 500h |

| | | |
|---------------------------|--------|-------|
| Minimum order unit (pcs.) | Japan | 600 |
| | Export | 2,400 |

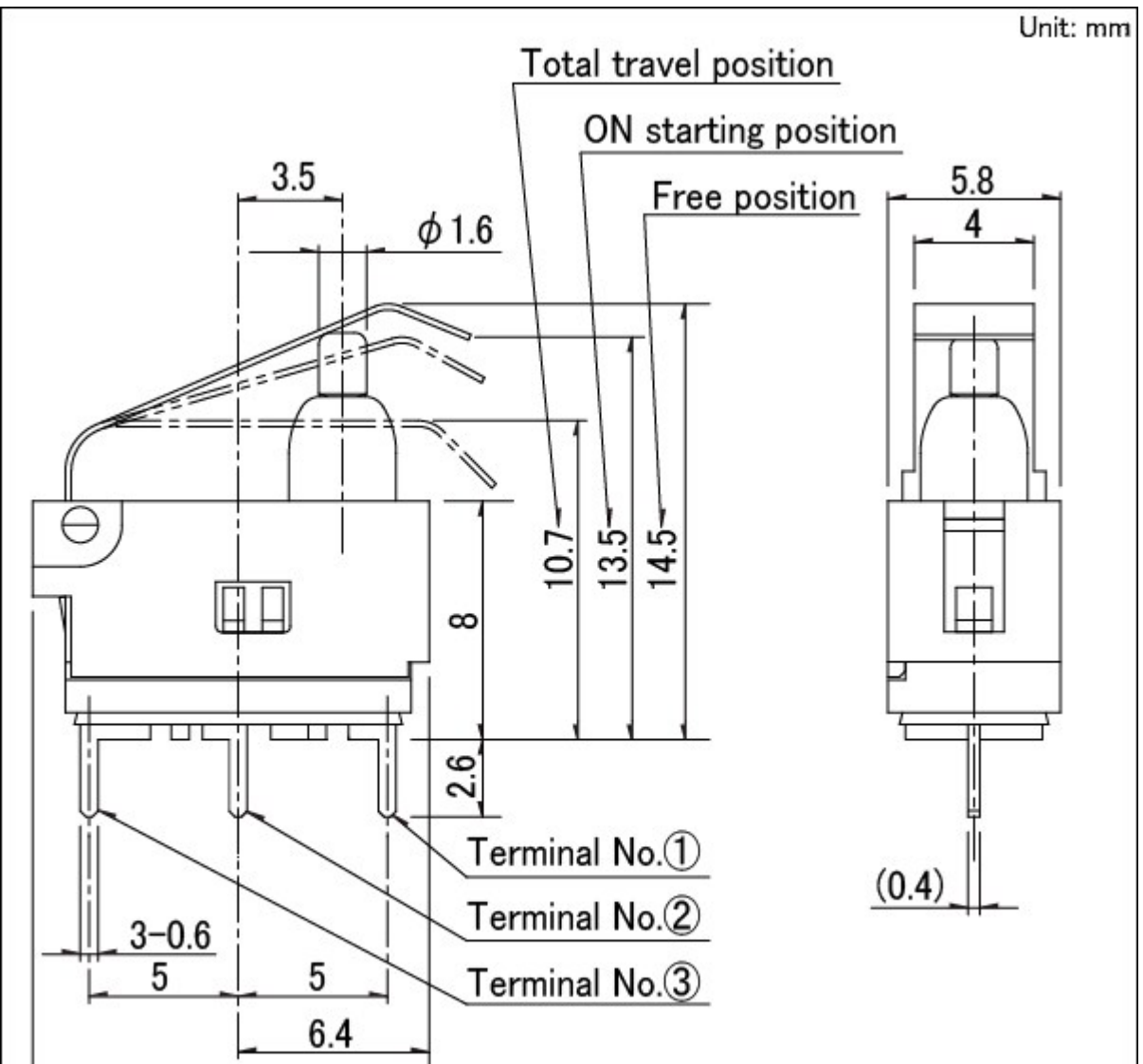
3D CAD (STEP) [↓](#)

Certificate of Compliance to RoHS regulations [↓](#)

Photo

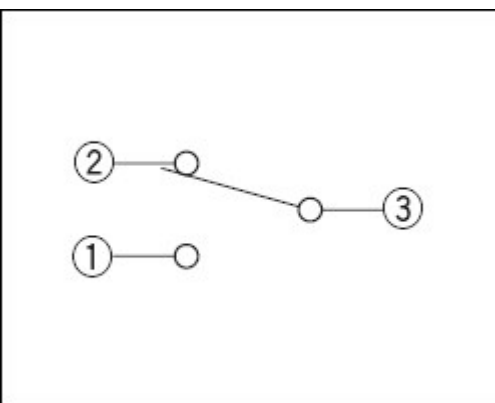


Dimensions



13.3

Circuit Diagram



Packing Specifications

Tray

| | | |
|------------------------------|----------------------------|-------|
| Number of packages (pcs.) | 1 case / Japan | 600 |
| | 1 case / export packing | 2,400 |

| | |
|----------------------------------|-------------|
| Export package measurements (mm) | 540×360×230 |
|----------------------------------|-------------|

Soldering Conditions

Reference for Dip Soldering

| | | |
|---------------|------------------------|----------|
| Items | Preheating temperature | 100±10°C |
| | Preheating time | 60s max. |
| Dip soldering | Soldering temperature | 260±5°C |
| | Duration of immersion | 5±1s |

Reference for Hand Soldering

| | |
|-----------------------|----------|
| Soldering temperature | 300±10°C |
| Soldering time | 3+1/0s |

Notes are common to this series/models.

1. This site catalog shows only outline specifications. When using the products, please obtain formal specifications for supply.
2. The length of lead wire is 250mm. For length modification, please contact us.
3. This unit cannot be used in water (IP67 rating, except for terminal).

4. Please place purchase orders per minimum order unit (integer).

5. This products can be used in vehicles.

Although these products are designed to perform over a wide operating temperature range, please ensure that you receive and read the formal delivery specifications before use.

Inquiries about Products

 [Inquiry](#)

X-ON Electronics

Largest Supplier of Electrical and Electronic Components

Click to view similar products for [Detector Switches](#) category:

Click to view products by [ALPS](#) manufacturer:

Other Similar products are found below :

[E3S-LS5C4S](#) [SPVQ850300](#) [21075-6](#) [SPVQ860100](#) [K2CU-F20A-F AC220](#) [D3DM0005H](#) [D3DM0001E](#) [D3DM0003A](#) [HARB0012](#) [PP2-7H1-2D2](#) [PP1-FB7-2D2](#) [PP2-7U1-2B2](#) [PP1-ET7-2B2](#) [MR1000AWA](#) [MR1000BWA](#) [ESE-24SH6](#) [ESE-31R11T](#) [ESE-23F101](#) [ESE-13V01D](#) [ESE-13V01C](#) [ESE-13V01A](#) [ESE-13H01B](#) [ESE-11MH1T](#) [ESE-11MH2T](#) [ESE-11MV1](#) [ESE-31L11T](#) [HDS001R](#) [SPVL110102](#) [ESE-13V01B](#) [ESE-23J101](#) [SPPW811200](#) [ESE-58R61B](#) [SPVQ361300](#) [ESE-58R11B](#) [SPVT210201](#) [SPVL120101](#) [ESE-24CMV9T](#) [DS080](#) [DS0900502RP](#) [T0-SCB22MP1NC1](#) [T0-SCB22MP1NSX](#) [ESE-13H01A](#) [ESE-13H01C](#) [ESE-13H01D](#) [SPVN210101](#) [SPPB110300](#) [SPPB120200](#) [SPPB1A0100](#) [SPPB1A0101](#) [SPPB2A0100](#)