

Water-proof Type SPVQ3 Series

| Photo | Dimensions | Circuit Diagram | Packing Specifications |

PRINT

Normal type: 300,000 cycles

Part number	SPVQ350800	
Poles	1	
Positions	1	
Changeover timing	Non shorting	
Operation part shape	Actuator A	
Terminal type	With wire (Right side)	
Operating force	3N max.	
Main body form	Boss - both sides	
Operating temperature range	-40°C to +85°C	
Rating (max.)/(min.) (Resistive load)	0.1A 12V DC/50μA 5V DC	
Electrical performance	Contact resistance (Initial/After operating life)	500mΩ max./1Ω max.
	Insulation resistance	100MΩ min. 500V DC
	Voltage proof	500V AC for 1 minute
Mechanical performance	Wire strength	30N for 1 minute
	Actuator strength	20N
Durability	Operating life without load	300,000 cycles 1Ω max.
	Operating life with load Rating (max.) (Resistive load)	300,000 cycles 1Ω max.
Environmental performance	Cold	-40°C 500h
	Dry heat	85°C 500h
	Damp heat	60°C, 90 to 95%RH 500h

Minimum order unit Japan 168
(pcs.)

Export 672

3D CAD (STEP)



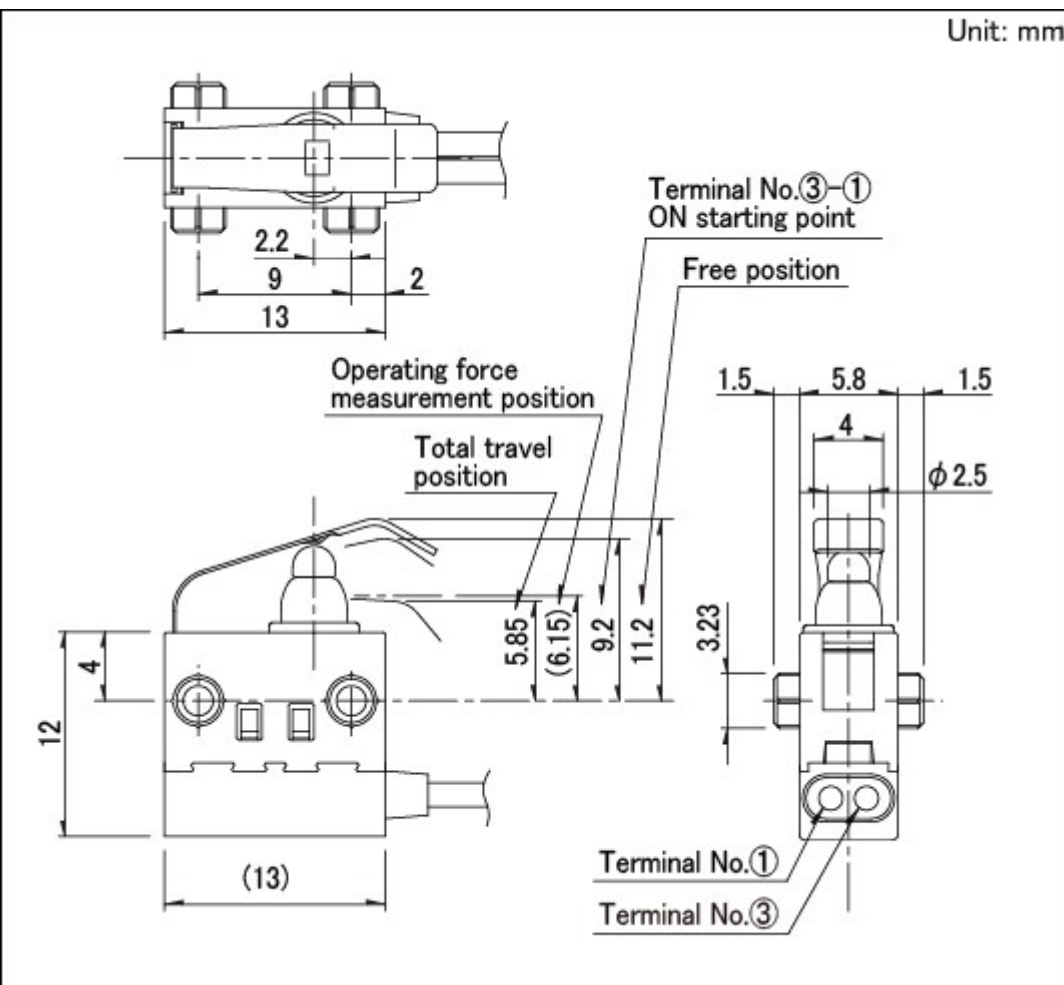
Certificate of Compliance to RoHS regulations



Photo

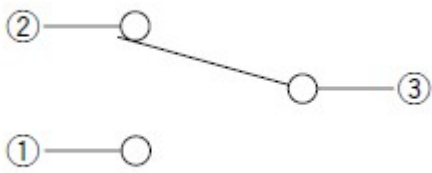


Dimensions



Circuit Diagram





Packing Specifications

Bulk

Number of packages (pcs.)	1 case / Japan	168
	1 case / export packing	672
Export package measurements (mm)		555×375×223

Notes are common to this series/models.

1. This site catalog shows only outline specifications. When using the products, please obtain formal specifications for supply.
2. Unless specified, the length of the lead wire is 250mm. Color is either Red, Black or Yellow. For length modification, please contact us.
3. This unit cannot be used in water (IP67 rating, except for terminal).
4. Unless circuit is specified, wired (downward) types will apply three wires.
5. Please specify circuit (N. O. or N. C.) for wired (side) types. Unless specified, the circuit will apply N. O.
6. Please place purchase orders per minimum order unit (integer).
7. This products can be used in vehicles.
Although these products are designed to perform over a wide operating temperature range, please ensure that you receive and read the formal delivery specifications before use.

Inquiries about Products

[▶ Inquiry](#)

X-ON Electronics

Largest Supplier of Electrical and Electronic Components

Click to view similar products for [Detector Switches](#) category:

Click to view products by [ALPS](#) manufacturer:

Other Similar products are found below :

[E3S-LS5C4S](#) [SPVQ850300](#) [21075-6](#) [SPVQ860100](#) [K2CU-F20A-F AC220](#) [D3DM0005H](#) [D3DM0001E](#) [D3DM0003A](#) [HARB0012](#) [PP2-7H1-2D2](#) [PP1-FB7-2D2](#) [PP2-7U1-2B2](#) [PP1-ET7-2B2](#) [MR1000AWA](#) [MR1000BWA](#) [ESE-24SH6](#) [ESE-31R11T](#) [ESE-23F101](#) [ESE-13V01D](#) [ESE-13V01C](#) [ESE-13V01A](#) [ESE-13H01B](#) [ESE-11MH1T](#) [ESE-11MH2T](#) [ESE-11MV1](#) [ESE-31L11T](#) [HDS001R](#) [SPVL110102](#) [ESE-13V01B](#) [ESE-23J101](#) [SPPW811200](#) [ESE-58R61B](#) [SPVQ361300](#) [ESE-58R11B](#) [SPVT210201](#) [SPVL120101](#) [ESE-24CMV9T](#) [DS080](#) [DS0900502RP](#) [T0-SCB22MP1NC1](#) [T0-SCB22MP1NSX](#) [ESE-13H01A](#) [ESE-13H01C](#) [ESE-13H01D](#) [SPVN210101](#) [SPPB110300](#) [SPPB120200](#) [SPPB1A0100](#) [SPPB1A0101](#) [SPPB2A0100](#)