

6-positions Vertical Type SRRN Series

| Photo | Dimensions | Terminal Configuration | Circuit Diagram | Packing Specifications |
 | Shaft Style | Attached Parts | Soldering Conditions |

PRINT

Part number	SRRN161100			
Number of wafer	1			
Poles	2			
Positions	6			
Changeover angle	30±3°			
Changeover timing	Non shorting			
Rotational torque	70±30mN·m			
Actuator configuration	18-tooth serration			
Actuator length	L: 20mm			
Operating temperature range	-30°C to +65°C			
Rating (max.)/(min.) (Resistive load)	0.15A 12V DC/50µA 3V DC			
Electrical performance	Contact resistance (Initial performance/After lifetime)	50mΩ max./100mΩ max.		
	Insulation resistance	100MΩ min. 500V DC		
	Voltage proof	500V AC for 1 minute		
Mechanical performance	Terminal strength	5N for 1 minute		
	Actuator strength	Rotational direction	1N·m	
		Push direction	100N	
	Wobble of actuator (load at the tip of shaft: 5N)	Measuring position from mounting surface	15mm	
		Shaft wobble (max. value)	0.25mm max.	
	Applicable mounting dimension	20mm		

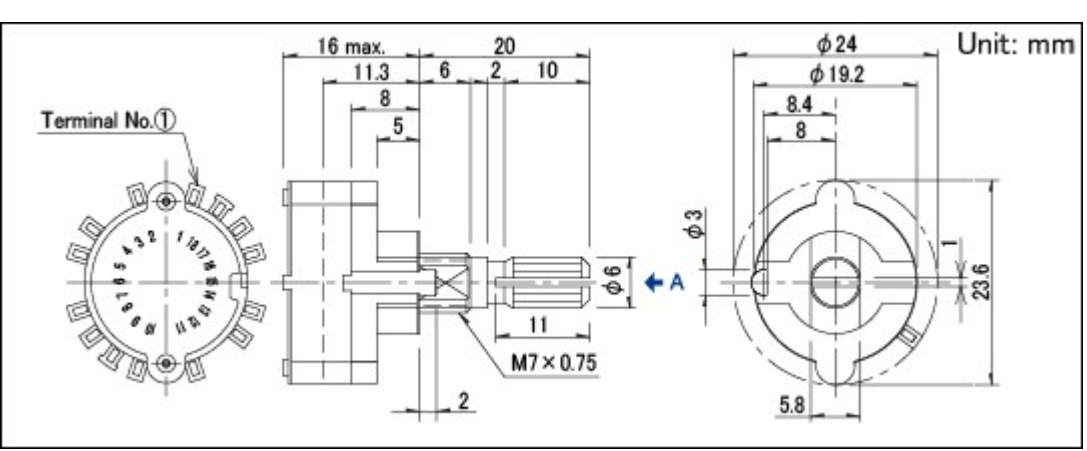
Durability	Operating life without load	10,000 cycles 70mΩ max.
	Operating life with load (at max. rated load)	10,000 cycles 100mΩ max.
Environmental performance	Cold	-40±2°C for 96h
	Dry heat	85±2°C for 96h
	Damp heat	40±2°C, 90 to 95%RH for 96h
Minimum order unit (pcs.)	Japan	100
	Export	600

- 3D CAD (STEP) [↓](#)
- Certificate of Compliance to RoHS regulations [↓](#)

Photo



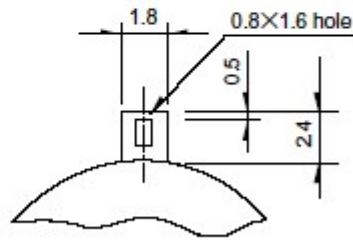
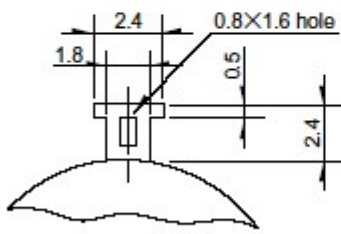
Dimensions



Terminal Configuration

Unit : mm

Common terminal	Terminal
-----------------	----------



Circuit Diagram

Number of poles	2	
Circuit diagram		
Dummy terminals	6-positions	—

1. Standard poles per step.
2. The following mark in the above table indicate a stopper with the shaft turned fully counterclockwise when viewed from direction A of the diagrams.

Packing Specifications

Bulk

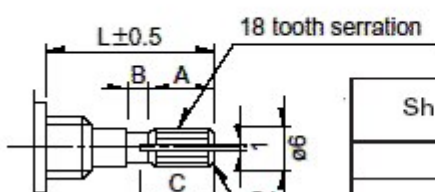
Number of packages (pcs.)	1 case / Japan	100
	1 case / export packing	600
Export package measurements (mm)	369×349×367	

Shaft Style

* 18-tooth Serration Shaft

The shaft shows the position in which it is turned fully counterclockwise.

Cutting Shaft



Unit : mm

Shaft length L	A	B	C
15	6	1	7
20	10	2	11

Details About Serration

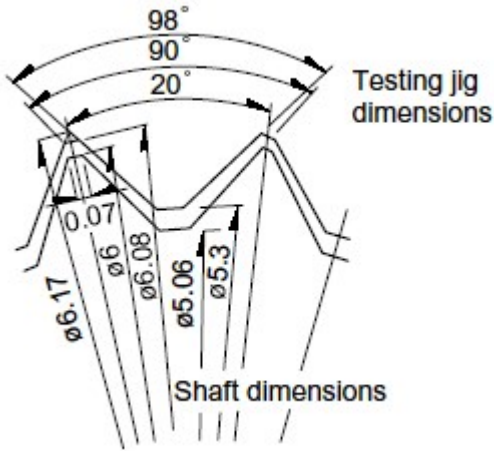
(1) The mold dimensions of standard serration and the dimensions of test jigs are as shown in the figure at left.

(2) Position of the serration bottom

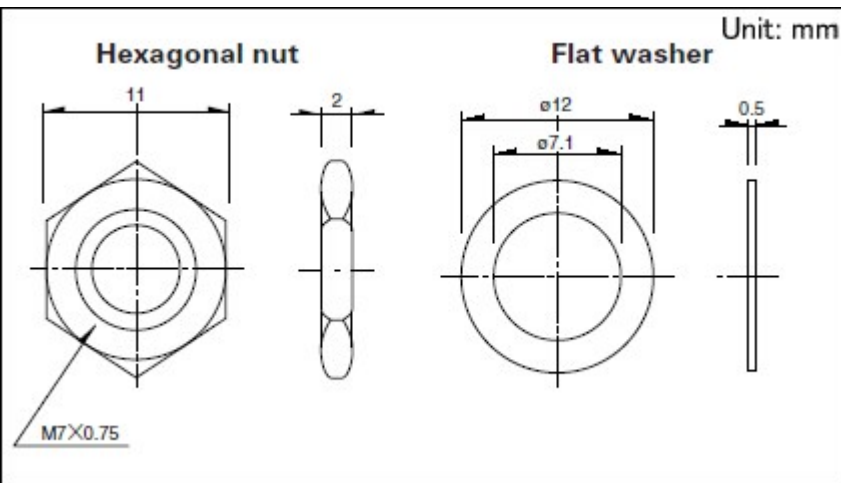
When the shaft is turned fully counterclockwise, the position of the serration bottom is on the AA line.

(3) Slitting angle

The slitting angle (position) is not specified.



Attached Parts



The following parts are included with the product.

Soldering Conditions

Reference for Dip Soldering

Items	Preheating temperature	-
	Preheating time	-
Dip soldering	Soldering temperature	260±5°C
	Duration of immersion	10±1s

Reference for Hand Soldering

Soldering temperature	350±10°C
Soldering time	3+1/0s

Notes are common to this series/models.

1. This site catalog shows only outline specifications. When using the products, please obtain formal specifications for supply.
2. All the axis are cutting shafts.
3. Please place purchase orders per minimum order unit (integer).
4. Products other than those listed in the above chart are also available. Please contact us for details.

Inquiries about Products

 **Inquiry**

X-ON Electronics

Largest Supplier of Electrical and Electronic Components

Click to view similar products for [Rotary Switches](#) category:

Click to view products by [ALPS](#) manufacturer:

Other Similar products are found below :

[57HS22-02-2-06N](#) [57M22-02B16N](#) [57M22-09A16N](#) [M3786/4-0881](#) [M3786/4-3267](#) [M3786/4-5568](#) [M3786/4-6029](#) [71ESF30-05204N](#)
[MC06L1NCGF](#) [84986-26](#) [9003K2C003GA](#) [PLR3251](#) [PLR3262](#) [PS3](#) [A0142M2SP](#) [A029303](#) [R2AA4455NNNN](#) [R2BB4455NNNN](#) [DR75-](#)
[AMSF-10R-B](#) [1703.3201](#) [HW1MS-0202-101](#) [24002-03S](#) [A029101](#) [ACSNO-129-YB-C1014](#) [ACSNO-134-RR-YB-C1005](#) [ACSNO-353-SB-](#)
[C3016](#) [1825537-4](#) [T505](#) [T505E](#) [24005-03N](#) [H10207RR01Q](#) [M3786/39-4ZC](#) [M3786/4-0002](#) [M3786/4-0630](#) [M3786/4-1028L](#) [M3786/4-](#)
[1233L](#) [M3786/4-3044](#) [M3786/4-3129](#) [M3786/4-5008L](#) [M3786/4-5256](#) [MC6CX1A502X009](#) [42HS36-01-1-06N](#) [42P36-03B10S](#) [44MBS60-](#)
[04-2-03N](#) [44MG90-02-1-02N](#) [50KMT90-01-2-02N](#) [51A22-01-1-16S](#) [51CDP30-01PAJN](#) [51KSP30-01D04N](#) [51P30-01B12N](#)