

# TK 1313 – Polystyrene and Polycarbonate – 130 x 130 mm (5.12 x 5.12 in.)

## Standard Features

- **Protection Level:** IP66 (NEMA Type: 4X with gray cover, 12K with transparent cover)
- **Technical:** Smooth or Knockout Sidewalls  
Gray or Tinted Transparent Cover  
Multiple Enclosure Mounting Options
- **UL Recognized**  
**Enclosure Materials:** Polystyrene or Polycarbonate
- **Gasket Material:** Polyurethane
- **Color:** Light Gray
- **Material**  
**Temperature Range:** Polystyrene  
-40°C to 70°C (-40°F to 158°F)  
Polycarbonate  
-40°C to 120°C (-40°F to 248°F)
- **Accessories:** See section below



### Smooth Sidewalls

Ordering Information	Height mm (in)	Polystyrene				Polycarbonate			
		Cat. No.	Type	Cover Color	Std. Pk.	Cat. No.	Type	Cover Color	Std. Pk.
☐ Enclosure - low cover	75 mm (2.95 in)	110-405	PS 1313-7-o	gray	2	120-405	PC 1313-7-o	gray	2
☐ Enclosure - high cover	99 mm (3.90 in)	110-905	PS 1313-10-o	gray	2	120-905	PC 1313-10-o	gray	2
☐ Enclosure - low cover	75 mm (2.95 in)	111-005	PS 1313-7-to	trans.	2	130-005	PC 1313-7-to	trans.	2
☐ Enclosure - high cover	99 mm (3.90 in)	111-505	PS 1313-10-to	trans.	2	130-505	PC 1313-10-to	trans.	2

### Sidewalls with Metric Knockouts

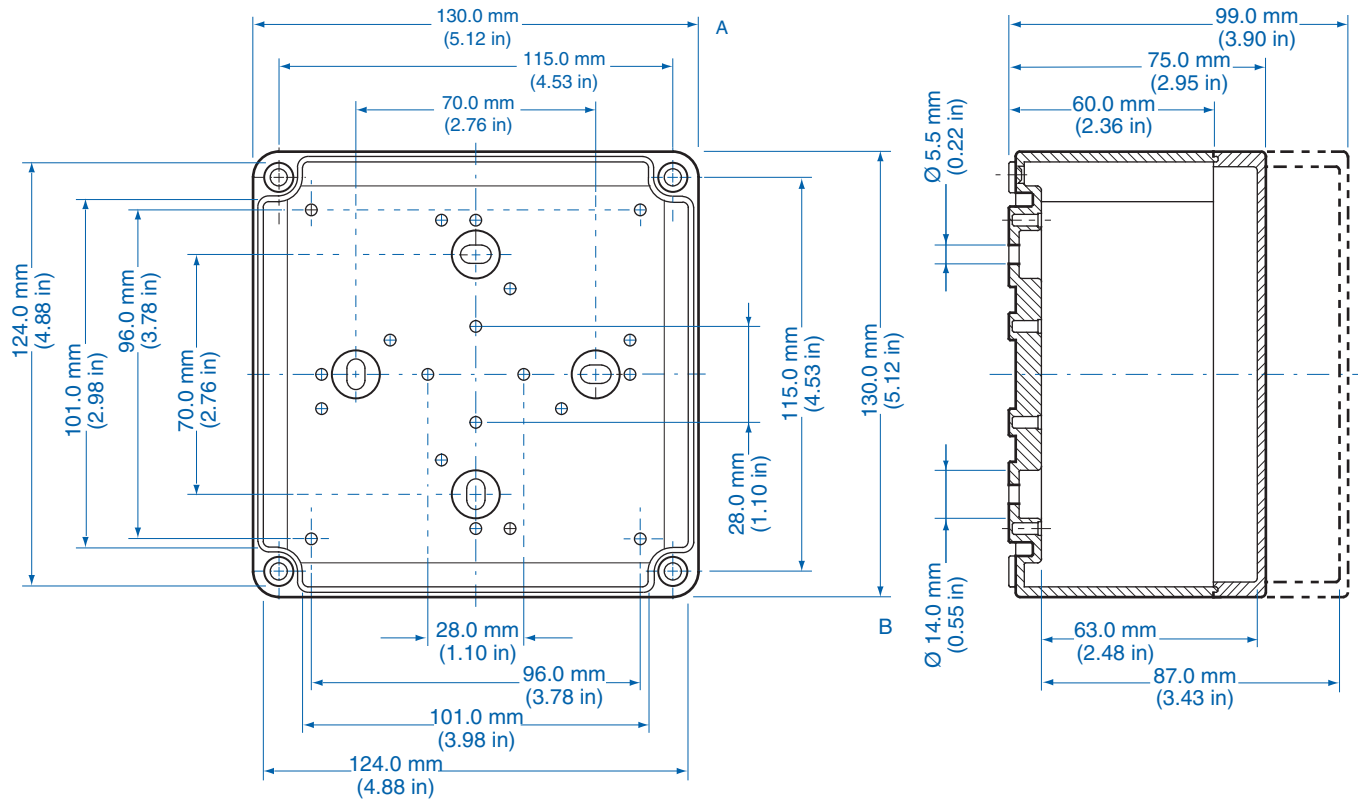
Ordering Information	Height mm (in)	Polystyrene				Polycarbonate			
		Cat. No.	Type	Cover Color	Std. Pk.	Cat. No.	Type	Cover Color	Std. Pk.
☐ Enclosure - low cover	75 mm (2.95 in)	105-405	PS 1313-7-m	gray	2	127-405	PC 1313-7-m	gray	2
☐ Enclosure - high cover	99 mm (3.90 in)	105-905	PS 1313-10-m	gray	2	127-905	PC 1313-10-m	gray	2
☐ Enclosure - low cover	75 mm (2.95 in)	106-005	PS 1313-7-tm	trans.	2	137-005	PC 1313-7-tm	trans.	2
☐ Enclosure - high cover	99 mm (3.90 in)	106-505	PS 1313-10-tm	trans.	2	137-505	PC 1313-10-tm	trans.	2

### Accessories

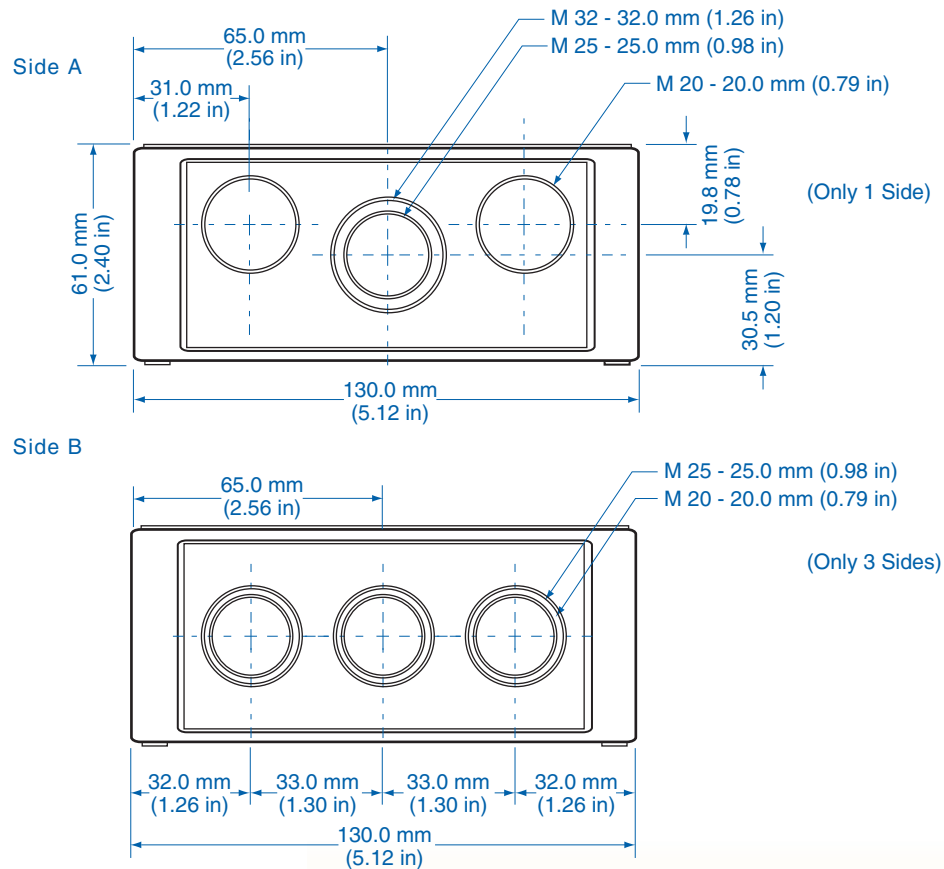
Ordering Information	Cat. No.	Type	Std. Pk.
Mounting Plate (plastic)	195-005	TKMPI-1313	1
Mounting Plate (steel)	197-005	TKMPS-1313	1
DIN Rail TS35-106mm	198-106	TS 35/106	1
DIN Rail TS15-111mm	197-111	TS 15/111	1
Hinge Kit Set	190-002	HK1	1
Mounting Tab Kit	194-001	MT1	1

Please refer to pages 149-152 for additional accessories and detailed information.

Dimensions



Knockout Positions



## X-ON Electronics

Largest Supplier of Electrical and Electronic Components

*Click to view similar products for [Electrical Enclosures](#) category:*

*Click to view products by [Altech](#) manufacturer:*

Other Similar products are found below :

[120-401](#) [120-905](#) [120-909](#) [120-403](#) [130-004](#) [MR-25L+](#) [30-8739](#) [PIP-11774SCREW](#) [30-9715](#) [30-9777-BU](#) [105-905](#) [110-901](#) [A16N12BLP](#)  
[110-406](#) [110-401](#) [110-403](#) [110-404](#) [120-405](#) [34861601](#) [106-009](#) [106-505](#) [111-005](#) [127-909](#) [106-502](#) [130-503](#) [127-401](#) [127-455](#) [9511150](#)  
[9820011](#) [137-455](#) [130-001](#) [105-904](#) [120-404](#) [137-005](#) [130-505](#) [127-406](#) [AB 1,5.0](#) [AB2.0](#) [ABM.0](#) [73345601](#) [F-MP](#) [M-MP](#) [PAT 12040](#)  
[9121230](#) [79541301](#) [19001001](#) [19001101](#) [TM 1224](#) [79503401](#) [79506401](#)