

# TK 1818 – Polystyrene and Polycarbonate – 182 x 180 mm (7.17 x 7.09 in.)

## Standard Features

- **Protection Level:** IP66 (NEMA Type: 4X with gray cover, 12K with transparent cover)
- **Technical:** Smooth or Knockout Sidewalls  
Gray or Tinted Transparent Cover  
Multiple Enclosure Mounting Options
- **UL Recognized**  
**Enclosure Materials:** Polystyrene or Polycarbonate
- **Gasket Material:** Polyurethane
- **Color:** Light Gray
- **Material**  
**Temperature Range:** Polystyrene  
-40°C to 70°C (-40°F to 158°F)  
Polycarbonate  
-40°C to 120°C (-40°F to 248°F)
- **Accessories:** See section below



### Smooth Sidewalls

Ordering Information	Height mm (in)	Polystyrene				Polycarbonate			
		Cat. No.	Type	Cover Color	Std. Pk.	Cat. No.	Type	Cover Color	Std. Pk.
Enclosure - low cover	90 mm (3.54 in)	110-407	PS 1818-9-o	gray	2	120-407	PC 1818-9-o	gray	2
Enclosure - high cover	111 mm (4.37 in)	110-907	PS 1818-11-o	gray	2	120-907	PC 1818-11-o	gray	2
Enclosure - top hat cover	165 mm (6.50 in)	109-407	PS 1818-16-o	gray	1	121-407	PC 1818-16-o	gray	1
Enclosure - low cover	90 mm (3.54 in)	111-007	PS 1818-9-to	trans.	2	130-007	PC 1818-9-to	trans.	2
Enclosure - high cover	111 mm (4.37 in)	111-507	PS 1818-11-to	trans.	2	130-507	PC 1818-11-to	trans.	2
Enclosure - top hat cover	165 mm (6.50 in)	112-007	PS 1818-16-to	trans.	1	131-007	PC 1818-16-to	trans.	1

### Sidewalls with Metric Knockouts

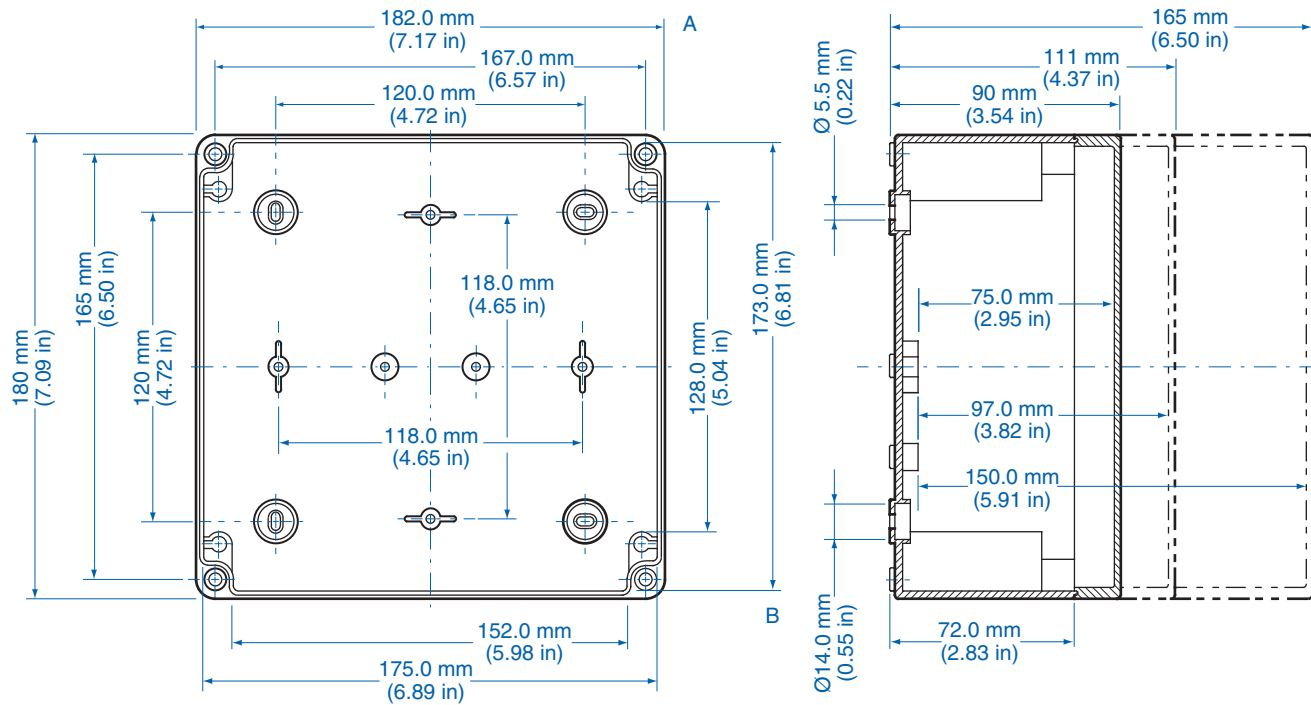
Ordering Information	Height mm (in)	Polystyrene				Polycarbonate			
		Cat. No.	Type	Cover Color	Std. Pk.	Cat. No.	Type	Cover Color	Std. Pk.
Enclosure - low cover	90 mm (3.54 in)	105-407	PS 1818-9-m	gray	2	127-407	PC 1818-9-m	gray	2
Enclosure - high cover	111 mm (4.37 in)	105-907	PS 1818-11-m	gray	2	127-907	PC 1818-11-m	gray	2
Enclosure - top hat cover	165 mm (6.50 in)	104-407	PS 1818-16-m	gray	1	128-407	PC 1818-16-m	gray	1
Enclosure - low cover	90 mm (3.54 in)	106-007	PS 1818-9-tm	trans.	2	137-007	PC 1818-9-tm	trans.	2
Enclosure - high cover	111 mm (4.37 in)	106-507	PS 1818-11-tm	trans.	2	137-507	PC 1818-11-tm	trans.	2
Enclosure - top hat cover	165 mm (6.50 in)	107-007	PS 1818-16-tm	trans.	1	138-007	PC 1818-16-tm	trans.	1

### Accessories

Ordering Information	Cat. No.	Type	Std. Pk.
Mounting Plate (plastic)	195-007	TKMPI-1818	1
Mounting Plate (steel)	197-007	TKMPS-1818	1
DIN Rail TS35-144mm	198-144	TS 35/144	1
Hinge Kit Set	190-005	HK2	1
Mounting Tab Kit	194-001	MT1	1

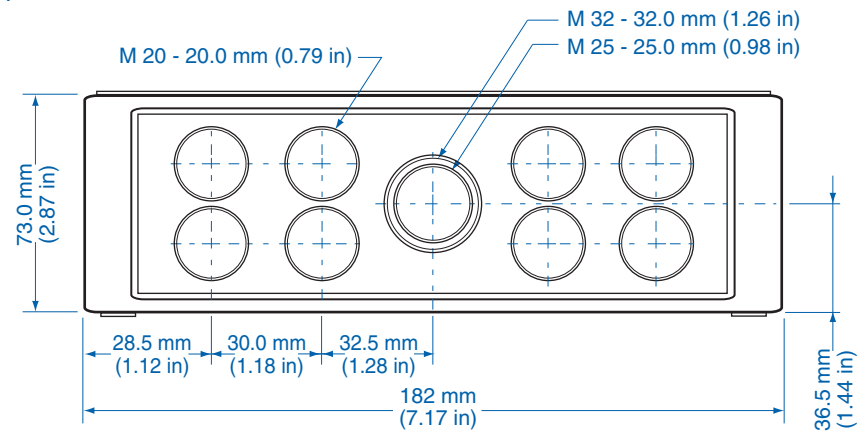
Please refer to pages 149-152 for additional accessories and detailed information.

Dimensions

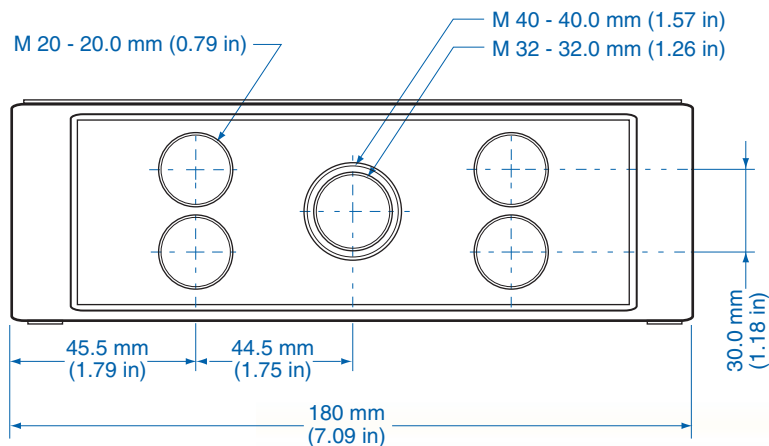


Knockout Positions

Side A



Side B



## X-ON Electronics

Largest Supplier of Electrical and Electronic Components

*Click to view similar products for [Enclosures, Boxes & Cases](#) category:*

*Click to view products by [Altech](#) manufacturer:*

Other Similar products are found below :

[585-R-WH-PK](#) [014415](#) [M-10-PLATED](#) [60221-01](#) [60566-01-000](#) [HPL-9VB BATT DOOR](#) [M18-PLTD](#) [M-21-PLATED](#) [63310-01-000](#)  
[6711GSKT](#) [71884-29-028](#) [LH45-100 Black](#) [7200B](#) [72868-510-000](#) [CNS-0000 Black](#) [72883-510-000](#) [CNS-0101 Black](#) [72906-510-000](#) [CNS-](#)  
[0407 Black](#) [73092-510-000](#) [CNM-0101 Black](#) [73105-510-000](#) [CNL-0101 Black](#) [73108-510-000](#) [CNL-0303 Black](#) [73395-510-039](#) [CNS-0006](#)  
[Bone](#) [74257-510-000](#) [CNL-0004](#) [MDC-1183-PLAIN-ALUM](#) [MDC-1183-PTD](#) [MDC-13104-PTD](#) [MDC-321-PTD](#) [MDC-973-PTD](#) [76](#)  
[77153-01-028](#) [FLX6030](#) [83535-01-508](#) [90026-501-000](#) [PS36-200](#) [116-508](#) [120-407](#) [120-910](#) [127-908](#) [130-008](#) [1301170079](#) [1322GSKTEP](#)  
[1325GSKT3](#) [138-PLAIN](#) [1434-1210](#) [EAS-500 \(BLACK ANO\)](#) [1804RP-RB-PK](#) [190-005](#) [KAB3321 BLACK](#) [KAB3421](#) [2697466](#) [S52213](#)  
[2901699](#) [A0645271](#) [A20P20](#) [2106-IR](#)