

# TK 3625 – Polystyrene and Polycarbonate – 360 x 254 mm (14.2 x 10.0 in.)

## Standard Features

- **Protection Level:** IP66 (NEMA Type: 4X with gray cover, 12K with transparent cover)
- **Technical:** Smooth or Knockout Sidewalls  
Gray or Tinted Transparent Cover  
Multiple Enclosure Mounting Options
- **UL Recognized**  
**Enclosure Materials:** Polystyrene or Polycarbonate
- **Gasket Material:** Polyurethane
- **Color:** Light Gray
- **Material**  
**Temperature Range:** Polystyrene  
-40°C to 70°C (-40°F to 158°F)  
Polycarbonate  
-40°C to 120°C (-40°F to 248°F)
- **Accessories:** See section below



### Smooth Sidewalls

| Ordering Information                            | Height mm (in)   | Polystyrene |               |             |          | Polycarbonate |               |             |          |
|---|------------------|-------------|---------------|-------------|----------|---------------|---------------|-------------|----------|
|   |                  | Cat. No.    | Type          | Cover Color | Std. Pk. | Cat. No.      | Type          | Cover Color | Std. Pk. |
| <input type="checkbox"/> Enclosure - low cover  | 111 mm (4.37 in) | 110-412     | PS 3625-11-o  | gray        | 1        | 120-412       | PC 3625-11-o  | gray        | 1        |
| <input type="checkbox"/> Enclosure - high cover | 165 mm (6.50 in) | 110-912     | PS 3625-16-o  | gray        | 1        | 120-912       | PC 3625-16-o  | gray        | 1        |
| <input type="checkbox"/> Enclosure - low cover  | 111 mm (4.37 in) | 111-012     | PS 3625-11-to | trans.      | 1        | 130-012       | PC 3625-11-to | trans.      | 1        |
| <input type="checkbox"/> Enclosure - high cover | 165 mm (6.50 in) | 111-512     | PS 3625-16-to | trans.      | 1        | 130-512       | PC 3625-16-to | trans.      | 1        |

### Sidewalls with Metric Knockouts

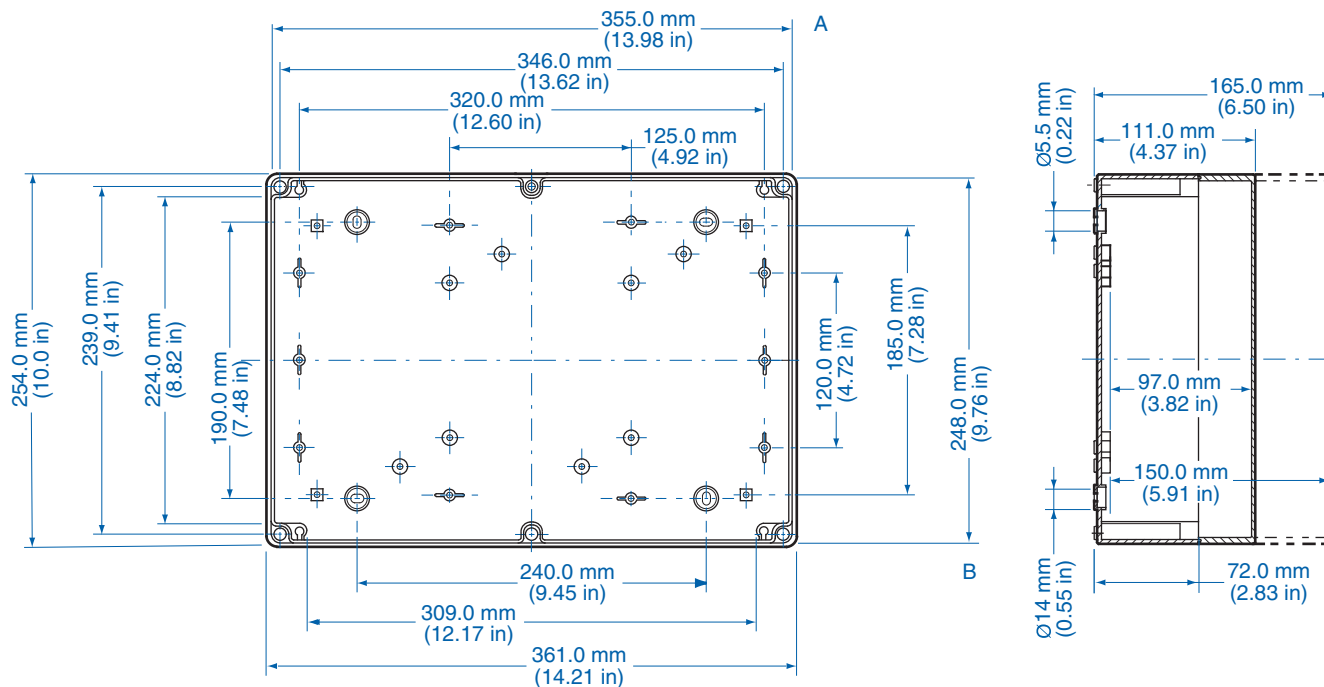
| Ordering Information                            | Height mm (in)   | Polystyrene |               |             |          | Polycarbonate |               |             |          |
|---|------------------|-------------|---------------|-------------|----------|---------------|---------------|-------------|----------|
|   |                  | Cat. No.    | Type          | Cover Color | Std. Pk. | Cat. No.      | Type          | Cover Color | Std. Pk. |
| <input type="checkbox"/> Enclosure - low cover  | 111 mm (4.37 in) | 105-412     | PS 3625-11-m  | gray        | 1        | 127-412       | PC 3625-11-m  | gray        | 1        |
| <input type="checkbox"/> Enclosure - high cover | 165 mm (6.50 in) | 105-912     | PS 3625-16-m  | gray        | 1        | 127-912       | PC 3625-16-m  | gray        | 1        |
| <input type="checkbox"/> Enclosure - low cover  | 111 mm (4.37 in) | 106-012     | PS 3625-11-tm | trans.      | 1        | 137-012       | PC 3625-11-tm | trans.      | 1        |
| <input type="checkbox"/> Enclosure - high cover | 165 mm (6.50 in) | 106-512     | PS 3625-16-tm | trans.      | 1        | 137-512       | PC 3625-16-tm | trans.      | 1        |

### Accessories

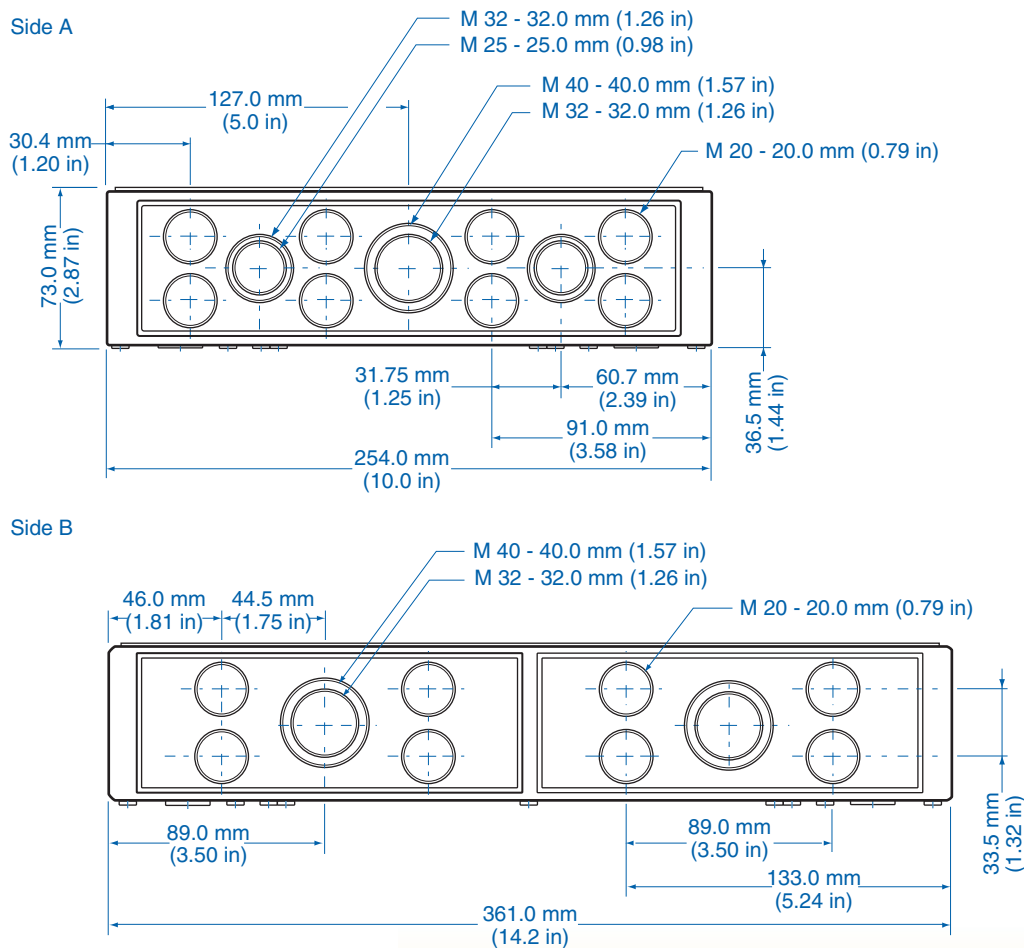
| Ordering Information     | Cat. No. | Type       | Std. Pk. |
|--------------------------|----------|------------|----------|
| Mounting Plate (plastic) | 195-012  | TKMPI-3625 | 1        |
| Mounting Plate (steel)   | 197-012  | TKMPS-3625 | 1        |
| DIN Rail TS35-336mm      | 198-336  | TS 35/ 336 | 1        |
| Hinge Kit Set            | 190-005  | HK2        | 1        |
| Mounting Tab Kit         | 194-001  | MT1        | 1        |

Please refer to pages 149-152 for additional accessories and detailed information.

Dimensions



Knockout Positions



## X-ON Electronics

Largest Supplier of Electrical and Electronic Components

*Click to view similar products for [Enclosures, Boxes & Cases](#) category:*

*Click to view products by [Altech](#) manufacturer:*

Other Similar products are found below :

[585-R-WH-PK](#) [014415](#) [M-10-PLATED](#) [60221-01](#) [60566-01-000](#) [HPL-9VB BATT DOOR](#) [M18-PLTD](#) [M-21-PLATED](#) [63310-01-000](#)  
[6711GSKT](#) [71884-29-028](#) [LH45-100 Black](#) [7200B](#) [72868-510-000](#) [CNS-0000 Black](#) [72883-510-000](#) [CNS-0101 Black](#) [72906-510-000](#) [CNS-](#)  
[0407 Black](#) [73092-510-000](#) [CNM-0101 Black](#) [73105-510-000](#) [CNL-0101 Black](#) [73108-510-000](#) [CNL-0303 Black](#) [73395-510-039](#) [CNS-0006](#)  
[Bone](#) [74257-510-000](#) [CNL-0004](#) [MDC-1183-PLAIN-ALUM](#) [MDC-1183-PTD](#) [MDC-13104-PTD](#) [MDC-321-PTD](#) [MDC-973-PTD](#) [76](#)  
[77153-01-028](#) [FLX6030](#) [83535-01-508](#) [90026-501-000](#) [PS36-200](#) [116-508](#) [120-407](#) [120-910](#) [127-908](#) [130-008](#) [1301170079](#) [1322GSKTEP](#)  
[1325GSKT3](#) [138-PLAIN](#) [1434-1210](#) [EAS-500 \(BLACK ANO\)](#) [1804RP-RB-PK](#) [190-005](#) [KAB3321 BLACK](#) [KAB3421](#) [2697466](#) [S52213](#)  
[2901699](#) [A0645271](#) [A20P20](#) [2106-IR](#)