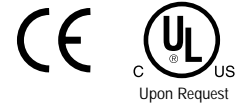


TK 1111 – Polystyrene and Polycarbonate – 110x110mm (4.33x4.33in.)

Standard Features

- **Protection Level:** IP66 (NEMA 4X)
- **Technical:** Smooth or Knockout Sidewalls
Gray or Tinted Transparent Cover ^①
Multiple Enclosure Mounting Options
- **Enclosure Material:** Polystyrene or Polycarbonate
- **Gasket Material:** Polyurethane
- **Color:** Light Gray
- **Temperature Range:** Polystyrene
-40°C to 70°C (-40°F to 158°F)
Polycarbonate
-35°C to 120°C (-31°F to 248°F)
- **Accessories:** See section below



Smooth Sidewalls

Ordering Information	Height mm (in)	Polystyrene				Polycarbonate			
		Cat. No.	Type	Cover Color	Std. Pk.	Cat. No.	Type	Cover Color	Std. Pk.
☐ Enclosure - low cover	66 mm (2.60 in)	110-404	PS 1111-7-o	gray	3	120-404	PC 1111-7-o	gray	3
☐ Enclosure - high cover	90 mm (3.54 in)	110-904	PS 1111-9-o	gray	3	120-904	PC 1111-9-o	gray	3
☐ Enclosure - low cover	66 mm (2.60 in)	111-004	PS 1111-7-to	trans.	3	130-004	PC 1111-7-to	trans.	3
☐ Enclosure - high cover	90 mm (3.54 in)	111-504	PS 1111-9-to	trans.	3	130-504	PC 1111-9-to	trans.	3

Sidewalls with PG Knockouts (metric available)

Ordering Information	Height mm (in)	Polystyrene				Polycarbonate			
		Cat. No.	Type	Cover Color	Std. Pk.	Cat. No.	Type	Cover Color	Std. Pk.
☐ Enclosure - low cover	66 mm (2.60 in)	115-404	PS 1111-7	gray	3	125-404	PC 1111-7	gray	3
☐ Enclosure - high cover	90 mm (3.54 in)	115-904	PS 1111-9	gray	3	125-904	PC 1111-9	gray	3
☐ Enclosure - low cover	66 mm (2.60 in)	116-004	PS 1111-7-t	trans.	3	135-004	PC 1111-7-t	trans.	3
☐ Enclosure - high cover	90 mm (3.54 in)	116-504	PS 1111-9-t	trans.	3	135-504	PC 1111-9-t	trans.	3

RK Enclosures with Terminal Blocks

Ordering Information	Height	Cat. No.	Type	Cover Color	Std. Pk.
Enclosure - 10 pole/10 AWG Terminal	66 mm (2.60 in)	609-404	RK1111	gray	3
Enclosure - 12 pole/12 AWG Terminal	66 mm (2.60 in)	610-404	RK1111	gray	3
Enclosure - DIN Rail only (TS35)	66 mm (2.60 in)	610-906	RK1111	gray	3

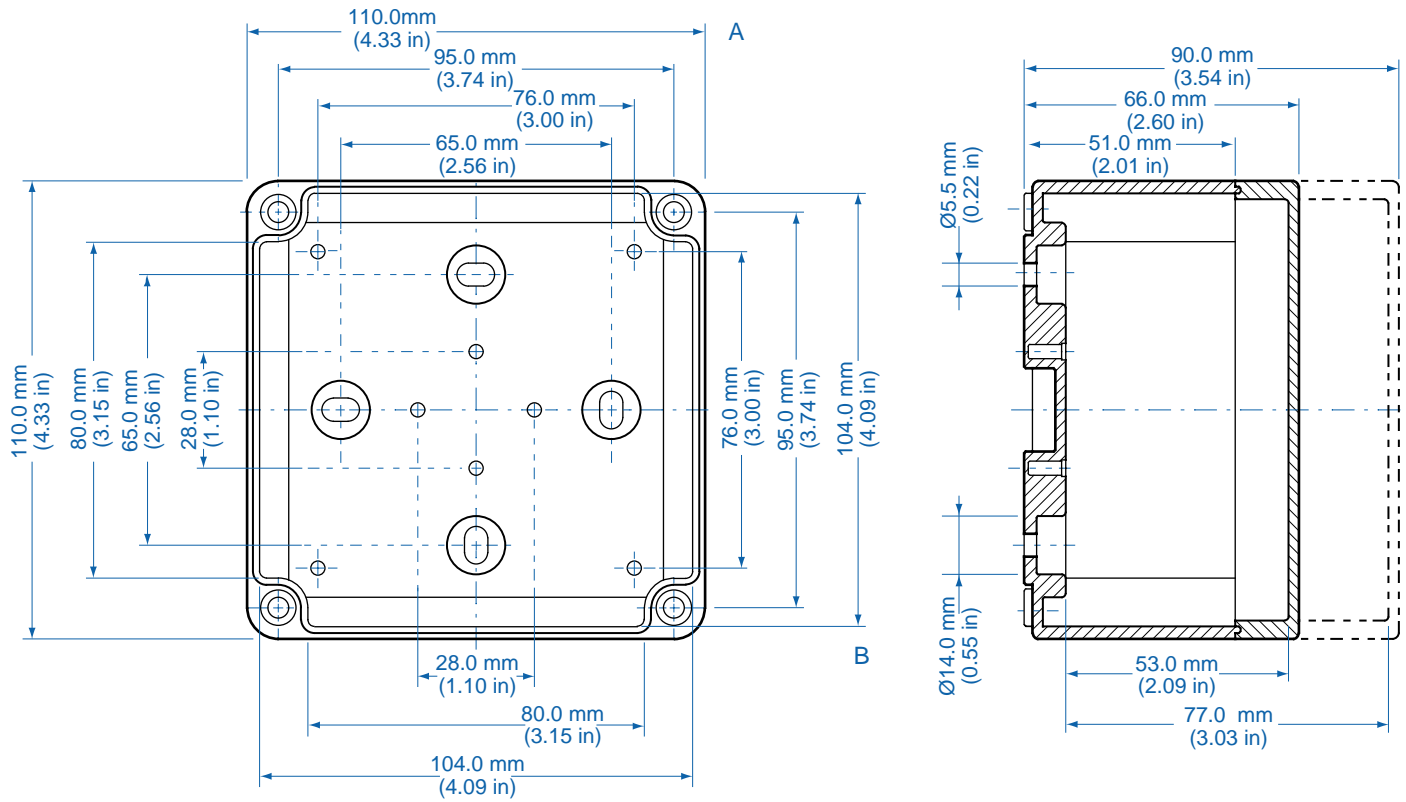
Accessories

Ordering Information	Cat. No.	Type	Std. Pk.
Mounting Plate	195-004	MP1111	1
DIN Rail TS35-81mm	Z-650	TS 35/81	1
DIN Rail TS15-92mm	Z-631	TS 15/92	1
Hinge Kit Set	190-002	HK1	1
Mounting Tab Kit	194-001	MT1	1

Please refer to pages 106-113 for additional accessories and detailed information.

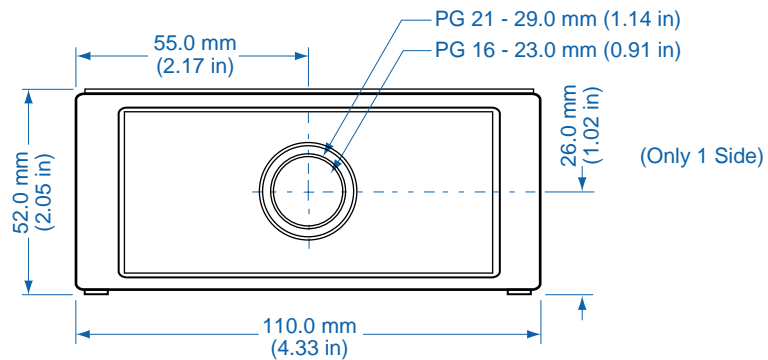
^① Clear transparent lids available upon request

Dimensions

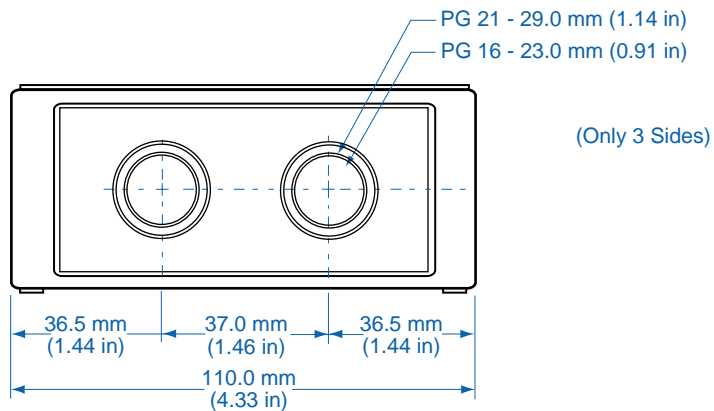


Knockout Positions [®]

Side A



Side B



[®] Metric knockouts available upon request

X-ON Electronics

Largest Supplier of Electrical and Electronic Components

Click to view similar products for [Enclosures, Boxes & Cases](#) category:

Click to view products by [Altech](#) manufacturer:

Other Similar products are found below :

[585-R-WH-PK](#) [014415](#) [M-10-PLATED](#) [60221-01](#) [60566-01-000](#) [HPL-9VB BATT DOOR](#) [M18-PLTD](#) [M-21-PLATED](#) [63310-01-000](#)
[6711GSKT](#) [71884-29-028](#) [LH45-100](#) [Black](#) [7200B](#) [72868-510-000](#) [CNS-0000](#) [Black](#) [72883-510-000](#) [CNS-0101](#) [Black](#) [72906-510-000](#) [CNS-](#)
[0407](#) [Black](#) [73092-510-000](#) [CNM-0101](#) [Black](#) [73105-510-000](#) [CNL-0101](#) [Black](#) [73108-510-000](#) [CNL-0303](#) [Black](#) [73395-510-039](#) [CNS-0006](#)
[Bone](#) [74257-510-000](#) [CNL-0004](#) [MDC-1183-PLAIN-ALUM](#) [MDC-1183-PTD](#) [MDC-13104-PTD](#) [MDC-321-PTD](#) [MDC-973-PTD](#) [76](#)
[77153-01-028](#) [FLX6030](#) [83535-01-508](#) [90026-501-000](#) [PS36-200](#) [116-508](#) [120-407](#) [120-910](#) [127-908](#) [130-008](#) [1301170079](#) [1322GSKTEP](#)
[1325GSKT3](#) [138-PLAIN](#) [1434-1210](#) [EAS-500 \(BLACK ANO\)](#) [1804RP-RB-PK](#) [190-005](#) [KAB3321](#) [BLACK](#) [KAB3421](#) [2697466](#) [S52213](#)
[2901699](#) [A0645271](#) [A20P20](#) [2106-IR](#)