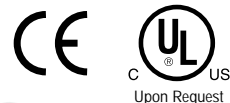


## Standard Features

- **Protection Level:** IP66 (NEMA 4X)
- **Technical:** Smooth or Knockout Sidewalls  
Gray or Tinted Transparent Cover ①  
Multiple Enclosure Mounting Options
- **Enclosure Material:** Polystyrene or Polycarbonate
- **Gasket Material:** Polyurethane
- **Color:** Light Gray
- **Temperature Range:** Polystyrene  
-40°C to 70°C (-40°F to 158°F)  
Polycarbonate  
-35°C to 120°C (-31°F to 248°F)
- **Accessories:** See section below



## Smooth Sidewalls

Ordering Information	Height mm (in)	Polystyrene				Polycarbonate			
		Cat. No.	Type	Cover Color	Std. Pk.	Cat. No.	Type	Cover Color	Std. Pk.
Enclosure - low cover	90 mm (3.54 in)	110-406	PS 1811-9-o	gray	2	120-406	PC 1811-9-o	gray	2
Enclosure - high cover	111 mm (4.37 in)	110-906	PS 1811-11-o	gray	2	120-906	PC 1811-11-o	gray	2
Enclosure - top hat cover	165 mm (6.50 in)	109-406	PS 1811-16-o	gray	2	121-406	PC 1811-16-o	gray	2
Enclosure - low cover	90 mm (3.54 in)	111-006	PS 1811-9-to	trans.	2	130-006	PC 1811-9-to	trans.	2
Enclosure - high cover	111 mm (4.37 in)	111-506	PS 1811-11-to	trans.	2	130-506	PC 1811-11-to	trans.	2
Enclosure - top hat cover	165 mm (6.50 in)	112-006	PS 1811-16-to	trans.	2	131-006	PC 1811-16-to	trans.	2

## Sidewalls with PG Knockouts (metric available)

Ordering Information	Height mm (in)	Polystyrene				Polycarbonate			
		Cat. No.	Type	Cover Color	Std. Pk.	Cat. No.	Type	Cover Color	Std. Pk.
Enclosure - low cover	90 mm (3.54 in)	115-406	PS 1811-9	gray	2	125-406	PC 1811-9	gray	2
Enclosure - high cover	111 mm (4.37 in)	115-906	PS 1811-11	gray	2	125-906	PC 1811-11	gray	2
Enclosure - top hat cover	165 mm (6.50 in)	114-406	PS 1811-16	gray	2	126-406	PC 1811-16	gray	2
Enclosure - low cover	90 mm (3.54 in)	116-006	PS 1811-9-t	trans.	2	135-006	PC 1811-9-t	trans.	2
Enclosure - high cover	111 mm (4.37 in)	116-506	PS 1811-11-t	trans.	2	135-506	PC 1811-11-t	trans.	2
Enclosure - top hat cover	165 mm (6.50 in)	117-006	PS 1811-16-t	trans.	2	136-006	PC 1811-16-t	trans.	2

## RK Enclosures with Terminal Blocks

Ordering Information	Height	Cat. No.	Type	Cover Color	Std. Pk.
Enclosure - 21 pole/10 AWG Terminal	90 mm (3.54 in)	615-404	RK1811	gray	2
Enclosure - DIN Rail only (TS35)	90 mm (3.54 in)	615-912	RK1811	gray	2

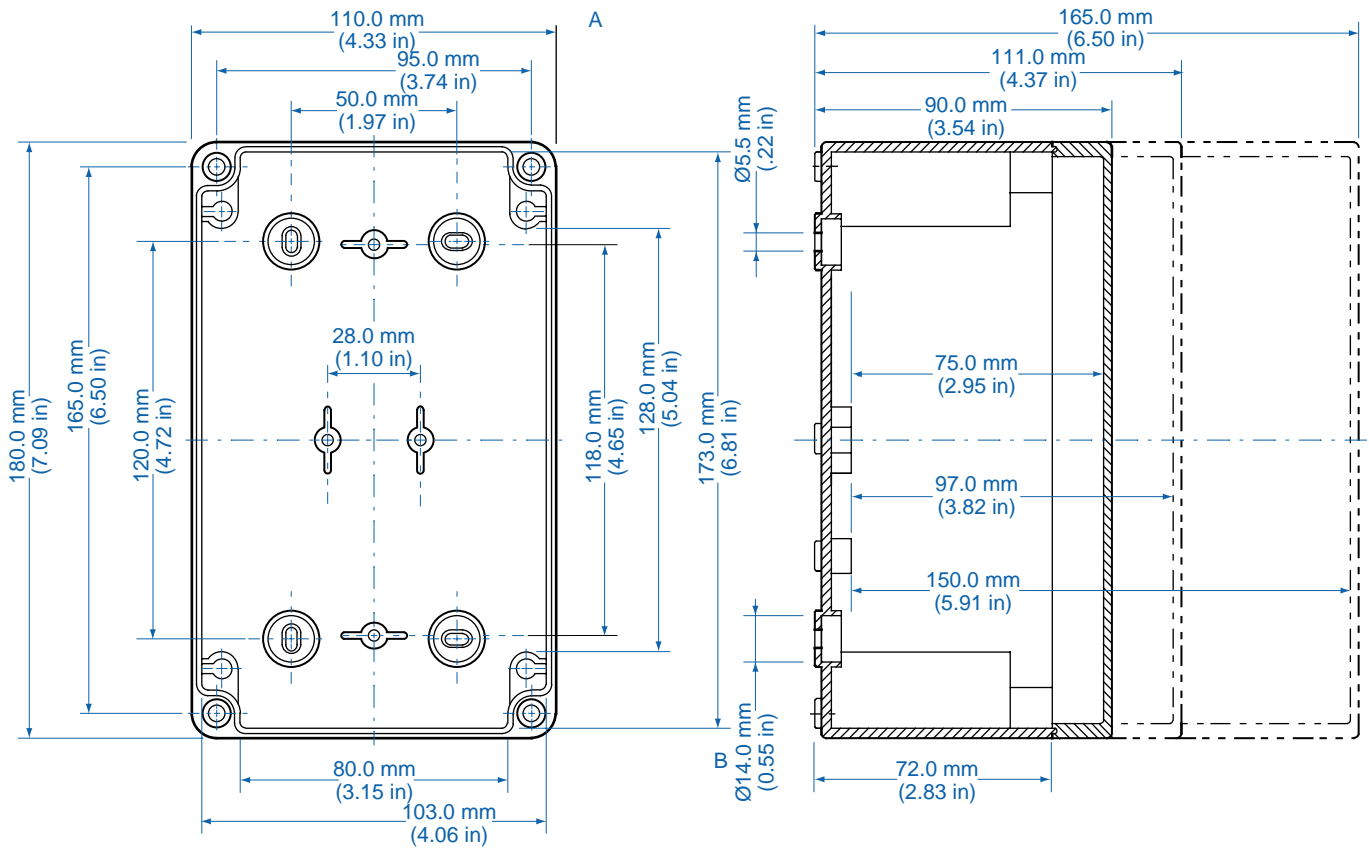
## Accessories

Ordering Information	Cat. No.	Type	Std. Pk.
Mounting Plate	195-006	MP1811	1
DIN Rail TS35-144mm	Z-655	TS 35/144	1
Hinge Kit Set	190-005	HK2	1
Mounting Tab Kit	194-001	MT1	1

Please refer to pages 106-113 for additional accessories and detailed information.

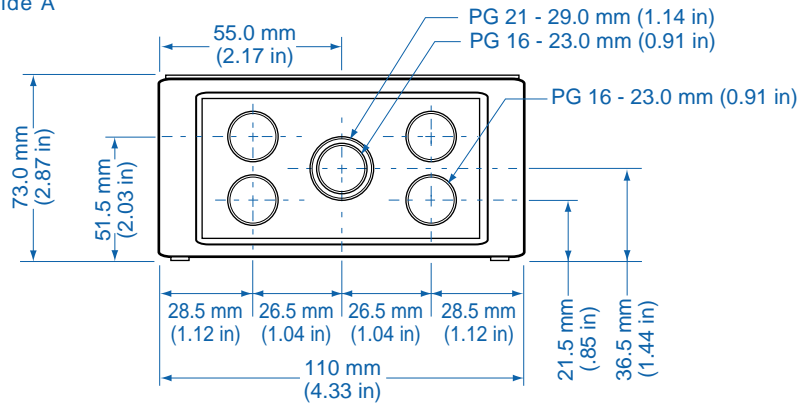
① Clear transparent lids available upon request

Dimensions

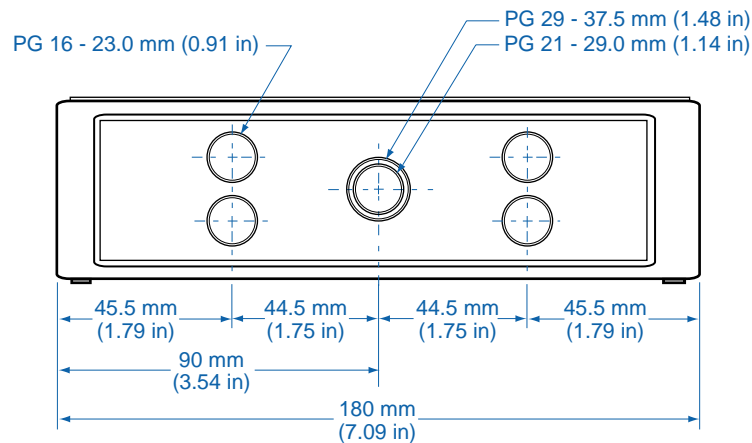


Knockout Positions <sup>®</sup>

Side A



Side B



<sup>®</sup> Metric knockouts available upon request

## X-ON Electronics

Largest Supplier of Electrical and Electronic Components

*Click to view similar products for [Enclosures for Industrial Automation](#) category:*

*Click to view products by [Altech](#) manufacturer:*

Other Similar products are found below :

[116-508](#) [130-008](#) [190-005](#) [2202307](#) [2901699](#) [2790318](#) [2906238](#) [WM011RI,BK](#) [WM052I,GY](#) [WM093RI,BK](#) [5030266](#) [WM053R,BK](#)  
[WM032I,BK](#) [2909989](#) [120-908](#) [150-007](#) [790-207](#) [2200095](#) [111-012](#) [127-408](#) [802-407](#) [115-401](#) [795-001](#) [790-211](#) [733-820](#)  
[BW67DBKCSYL](#) [CX68DBKANG](#) [CXL68DBKAYL](#) [CXL65DBKANG](#) [BW68DBKCSBL](#) [DPH-28714-C](#) [135-007](#) [721-032](#) [1103440](#)  
[1037322](#) [1167159](#) [1158978](#) [1158981](#) [1158982](#) [2202667](#) [1017444](#) [BWA-AH664](#) [100-403-91](#) [100-405-01](#) [101-003-91](#) [101-004-91](#) [101-506-](#)  
[01](#) [WM012I,GY](#) [WM013I,AL](#) [WM052RI,GY](#)