

# TK 1313 – Polystyrene and Polycarbonate – 130x130mm (5.12x5.12in.)

## Standard Features

- **Protection Level:** IP66 (NEMA 4X)
- **Technical:** Smooth or Knockout Sidewalls  
Gray or Tinted Transparent Cover <sup>①</sup>  
Multiple Enclosure Mounting Options
- **Enclosure Material:** Polystyrene or Polycarbonate
- **Gasket Material:** Polyurethane
- **Color:** Light Gray
- **Temperature Range:** Polystyrene  
-40°C to 70°C (-40°F to 158°F)  
Polycarbonate  
-35°C to 120°C (-31°F to 248°F)
- **Accessories:** See section below



## Smooth Sidewalls

Ordering Information	Height mm (in)	Polystyrene				Polycarbonate			
		Cat. No.	Type	Cover Color	Std. Pk.	Cat. No.	Type	Cover Color	Std. Pk.
Enclosure - low cover	75 mm (2.95 in)	110-405	PS 1313-7-o	gray	2	120-405	PC 1313-7-o	gray	2
Enclosure - high cover	99 mm (3.90 in)	110-905	PS 1313-10-o	gray	2	120-905	PC 1313-10-o	gray	2
Enclosure - low cover	75 mm (2.95 in)	111-005	PS 1313-7-to	trans.	2	130-005	PC 1313-7-to	trans.	2
Enclosure - high cover	99 mm (3.90 in)	111-505	PS 1313-10-to	trans.	2	130-505	PC 1313-10-to	trans.	2

## Sidewalls with PG Knockouts (metric available)

Ordering Information	Height mm (in)	Polystyrene				Polycarbonate			
		Cat. No.	Type	Cover Color	Std. Pk.	Cat. No.	Type	Cover Color	Std. Pk.
Enclosure - low cover	75 mm (2.95 in)	115-405	PS 1313-7	gray	2	125-405	PC 1313-7	gray	2
Enclosure - high cover	99 mm (3.90 in)	115-905	PS 1313-10	gray	2	125-905	PC 1313-10	gray	2
Enclosure - low cover	75 mm (2.95 in)	116-005	PS 1313-7-t	trans.	2	135-005	PC 1313-7-t	trans.	2
Enclosure - high cover	99 mm (3.90 in)	116-505	PS 1313-10-t	trans.	2	135-505	PC 1313-10-t	trans.	2

## RK Enclosures with Terminal Blocks

Ordering Information	Height	Cat. No.	Type	Cover Color	Std. Pk.
Enclosure - 15 pole/10 AWG Terminal	75 mm (2.95 in)	613-404	RK1313	gray	2
Enclosure - DIN Rail only (TS35)	75 mm (2.95 in)	613-906	RK1313	gray	2

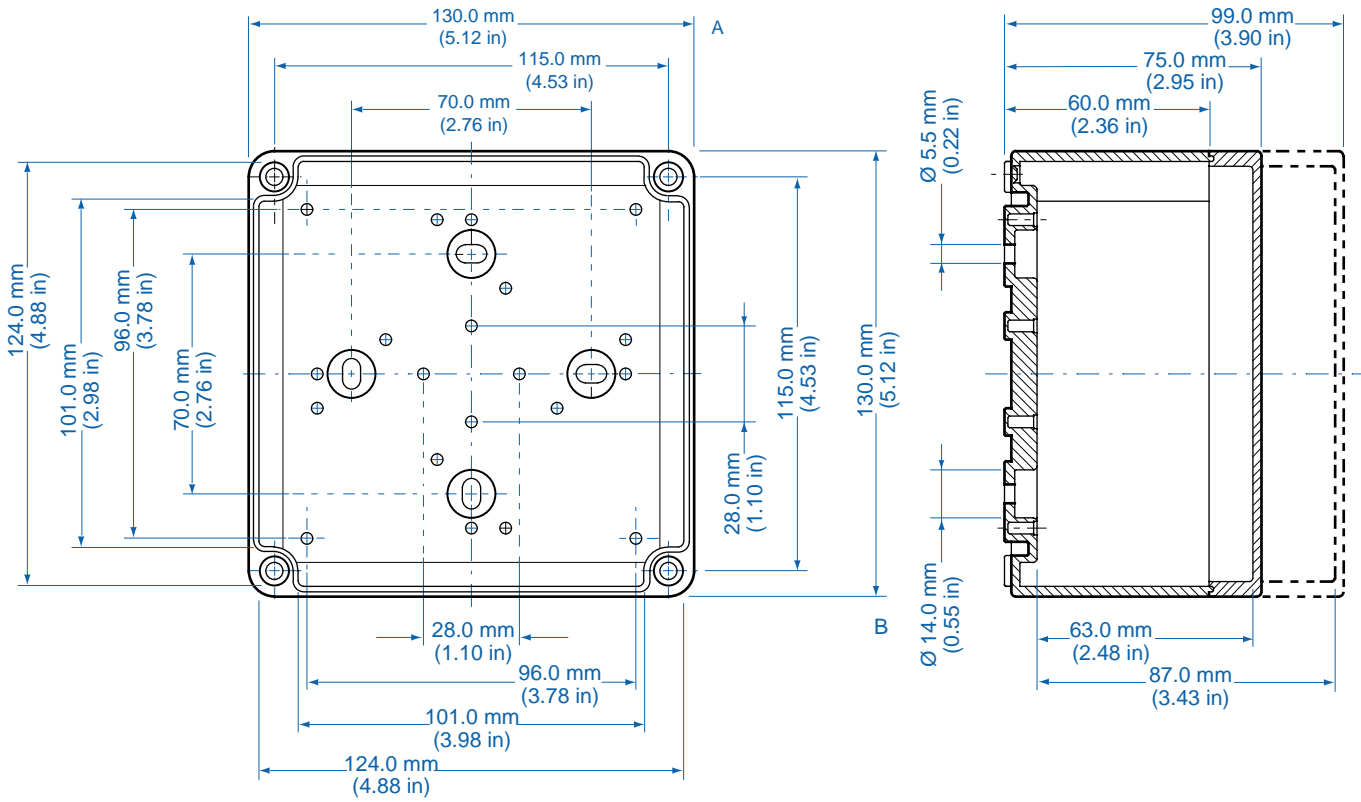
## Accessories

Ordering Information	Cat. No.	Type	Std. Pk.
Mounting Plate	195-005	MP1313	1
DIN Rail TS35-106mm	Z-658	TS 35/106	1
DIN Rail TS15-111mm	Z-632	TS 15/111	1
Hinge Kit Set	190-002	HK1	1
Mounting Tab Kit	194-001	MT1	1

Please refer to pages 106-113 for additional accessories and detailed information.

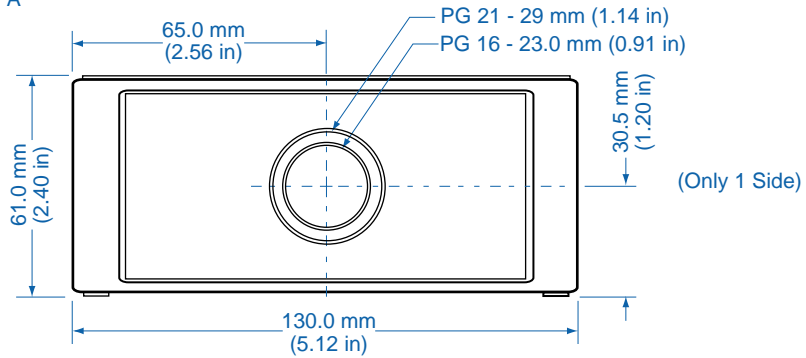
<sup>①</sup> Clear transparent lids available upon request

Dimensions

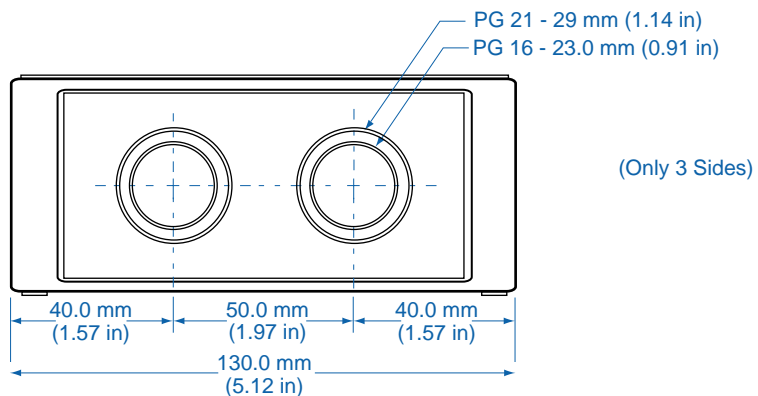


Knockout Positions <sup>®</sup>

Side A



Side B



<sup>®</sup> Metric knockouts available upon request

## X-ON Electronics

Largest Supplier of Electrical and Electronic Components

*Click to view similar products for [Enclosures, Boxes & Cases](#) category:*

*Click to view products by [Altech](#) manufacturer:*

Other Similar products are found below :

[585-R-WH-PK](#) [014415](#) [M-10-PLATED](#) [60221-01](#) [60566-01-000](#) [HPL-9VB BATT DOOR](#) [M18-PLTD](#) [M-21-PLATED](#) [63310-01-000](#)  
[6711GSKT](#) [71884-29-028](#) [LH45-100 Black](#) [7200B](#) [72868-510-000](#) [CNS-0000 Black](#) [72883-510-000](#) [CNS-0101 Black](#) [72906-510-000](#) [CNS-](#)  
[0407 Black](#) [73092-510-000](#) [CNM-0101 Black](#) [73105-510-000](#) [CNL-0101 Black](#) [73108-510-000](#) [CNL-0303 Black](#) [73395-510-039](#) [CNS-0006](#)  
[Bone](#) [74257-510-000](#) [CNL-0004](#) [MDC-1183-PLAIN-ALUM](#) [MDC-1183-PTD](#) [MDC-13104-PTD](#) [MDC-321-PTD](#) [MDC-973-PTD](#) [76](#)  
[77153-01-028](#) [FLX6030](#) [83535-01-508](#) [90026-501-000](#) [PS36-200](#) [116-508](#) [120-407](#) [120-910](#) [127-908](#) [130-008](#) [1301170079](#) [1322GSKTEP](#)  
[1325GSKT3](#) [138-PLAIN](#) [1434-1210](#) [EAS-500 \(BLACK ANO\)](#) [1804RP-RB-PK](#) [190-005](#) [KAB3321 BLACK](#) [KAB3421](#) [2697466](#) [S52213](#)  
[2901699](#) [A0645271](#) [A20P20](#) [2106-IR](#)