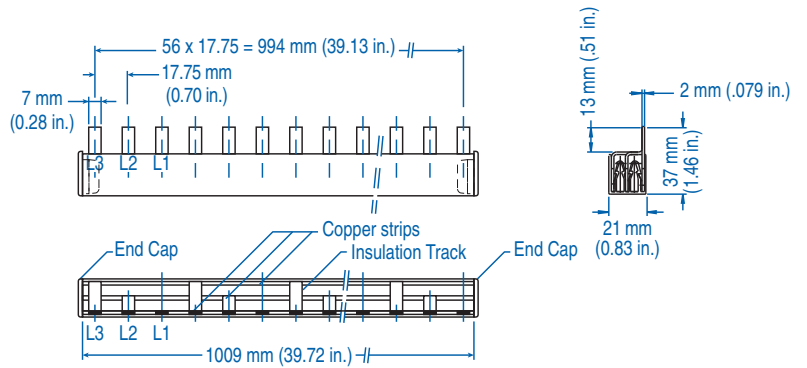


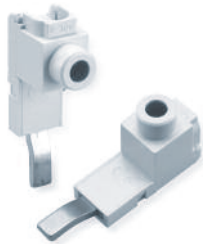
3 PHASE BUSBAR - standard spacing

18mm² for 80A / 25mm² for 100A

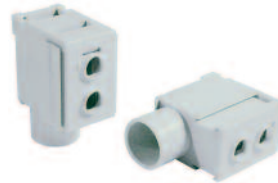


18mm ² for 80A				25mm ² for 100A			
Type/ Cat. No.	No. of Pins	No. of MMC to Jumper	Length [mm]	Type/ Cat. No.	No. of Pins	No. of MMC to Jumper	Length [mm]
3P18U3/6	6	2x3 pole	101.8	3P25U3/6	6	2x3 pole	101.8
3P18U3/9	9	3x3 pole	155.0	3P25U3/9	9	3x3 pole	155.0
3P18U3/12	12	4x3 pole	208.3	3P25U3/12	12	4x3 pole	208.3
3P18U3/15	15	5x3 pole	261.5	3P25U3/15	15	5x3 pole	261.5
3P18U3/18	18	6x3 pole	314.8	3P25U3/18	18	6x3 pole	314.8
3P18U3/21	21	7x3 pole	368.0	3P25U3/21	21	7x3 pole	368.0
3P18U3/24	24	8x3 pole	421.3	3P25U3/24	24	8x3 pole	421.3
3P18U3/27	27	9x3 pole	474.5	3P25U3/27	27	9x3 pole	474.5
3P18U3/30	30	10x3 pole	527.8	3P25U3/30	30	10x3 pole	527.8
3P18U3/33	33	11x3 pole	581.0	3P25U3/33	33	11x3 pole	581.0
3P18U3/36	36	12x3 pole	634.3	3P25U3/36	36	12x3 pole	634.3
3P18U3/39	39	13x3 pole	687.5	3P25U3/39	39	13x3 pole	687.5
3P18U3/42	42	14x3 pole	740.8	3P25U3/42	42	14x3 pole	740.8
3P18U3/45	45	15x3 pole	794.0	3P25U3/45	45	15x3 pole	794.0
3P18U3/48	48	16x3 pole	847.3	3P25U3/48	48	16x3 pole	847.3
3P18U3/51	51	17x3 pole	900.5	3P25U3/51	51	17x3 pole	900.5
3P18U3/54	54	18x3 pole	953.8	3P25U3/54	54	18x3 pole	953.8
3P18U3/57	57	19x3 pole	1007.0	3P25U3/57	57	19x3 pole	1007.0

ACCESSORIES



Type/Cat. No: **P50UT**
Description: Power Feed Lug



Type/Cat. No: **P50UB**
Description: Modular Direct Power Feed



Type/Cat. No: **P95UB**
Description: Power Feed Block



Type/Cat. No: **BRS5**
Description: Insulation Cap



Type/Cat. No: **18/25CAP3P**
Description: End Cap

X-ON Electronics

Largest Supplier of Electrical and Electronic Components

Click to view similar products for [Circuit Breaker Accessories](#) category:

Click to view products by [Altech](#) manufacturer:

Other Similar products are found below :

[CSC-403PS](#) [8T1-D-11A](#) [B151-7184-L](#) [NEB10](#) [8C1-C-721](#) [8T1-E-115](#) [8T1-E-275](#) [8T1-E-278](#) [506-11315-001](#) [3803221](#) [X10506BF](#) [NES 9-](#)
[1393249-0](#) [802-ESB50UL489](#) [XFPB-4](#) [30.329](#) [X22261102](#) [CX2.5/4/O](#) [Y30019003](#) [PS-1006](#) [618.6335.069](#) [BAC03](#) [JX2.5/4](#) [JX2.5/6](#)
[JX2.5/5](#) [HSP6/10U](#) [DMRBU BLACK BOX](#) [DB16/BU](#) [CM2.5S2](#) [932146100](#) [930120000](#) [601.1231.909](#) [3PRG1](#) [3PLBR4LU](#) [351.5900.149](#)
[311.2850.340](#) [2624.0](#) [17BSSV](#) [1-1423696-8](#) [LS3-WH](#) [BAC12](#) [Y30028402](#) [30.617](#) [8T1-E-114](#) [SF06-5,08](#) [2LP199](#) [ZG20-2](#) [3PSML401](#)
[3PSML402](#) [2LP219](#)