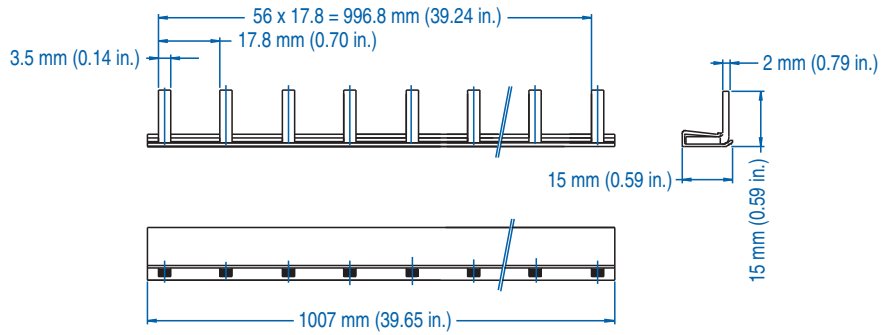


1 PHASE BUSBAR - standard spacing

18mm² for 80A



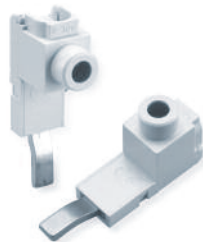
18mm² for 80A

Type/ Cat. No.	No. of Pins	No. of MMC to Jumper	Length [mm]
1P18U1/2	2	2x1 pole	32.5
1P18U1/3	3	3x1 pole	50.3
1P18U1/4	4	4x1 pole	68.0
1P18U1/5	5	5x1 pole	85.8
1P18U1/6	6	6x1 pole	103.5
1P18U1/7	7	7x1 pole	121.3
1P18U1/8	8	8x1 pole	139.0
1P18U1/9	9	9x1 pole	156.8
1P18U1/10	10	10x1 pole	174.5
1P18U1/11	11	11x1 pole	192.3
1P18U1/12	12	12x1 pole	210.0
1P18U1/13	13	13x1 pole	227.8
1P18U1/14	14	14x1 pole	245.5
1P18U1/15	15	15x1 pole	263.3
1P18U1/16	16	16x1 pole	281.0
1P18U1/17	17	17x1 pole	298.8
1P18U1/18	18	18x1 pole	316.5
1P18U1/19	19	19x1 pole	334.3
1P18U1/20	20	20x1 pole	352.0
1P18U1/21	21	21x1 pole	369.8
1P18U1/22	22	22x1 pole	387.5
1P18U1/23	23	23x1 pole	405.3
1P18U1/24	24	24x1 pole	423.0
1P18U1/25	25	25x1 pole	440.8
1P18U1/26	26	26x1 pole	458.5
1P18U1/27	27	27x1 pole	476.3
1P18U1/28	28	28x1 pole	494.0
1P18U1/29	29	29x1 pole	511.8

18mm² for 80A

Type/ Cat. No.	No. of Pins	No. of MMC to Jumper	Length [mm]
1P18U1/30	30	30x1 pole	529.5
1P18U1/31	31	31x1 pole	547.3
1P18U1/32	32	32x1 pole	565.0
1P18U1/33	33	33x1 pole	582.8
1P18U1/34	34	34x1 pole	600.5
1P18U1/35	35	35x1 pole	618.3
1P18U1/36	36	36x1 pole	636.0
1P18U1/37	37	37x1 pole	653.8
1P18U1/38	38	38x1 pole	671.5
1P18U1/39	39	39x1 pole	689.3
1P18U1/40	40	40x1 pole	707.0
1P18U1/41	41	41x1 pole	724.8
1P18U1/42	42	42x1 pole	742.5
1P18U1/43	43	43x1 pole	760.3
1P18U1/44	44	44x1 pole	778.0
1P18U1/45	45	45x1 pole	795.8
1P18U1/46	46	46x1 pole	813.5
1P18U1/47	47	47x1 pole	831.3
1P18U1/48	48	48x1 pole	849.0
1P18U1/49	49	49x1 pole	866.8
1P18U1/50	50	50x1 pole	884.5
1P18U1/51	51	51x1 pole	902.3
1P18U1/52	52	52x1 pole	920.0
1P18U1/53	53	53x1 pole	937.8
1P18U1/54	54	54x1 pole	955.5
1P18U1/55	55	55x1 pole	973.3
1P18U1/56	56	56x1 pole	991.0
1P18U1/57	57	57x1 pole	1008.8

ACCESSORIES



Type/Cat. No: **P50UT**
Description: Power Feed Lug



Type/Cat. No: **P50UB**
Description: Modular Direct Power Feed



Type/Cat. No: **BRS5**
Description: Insulation Cap

X-ON Electronics

Largest Supplier of Electrical and Electronic Components

Click to view similar products for [Circuit Breaker Accessories](#) category:

Click to view products by [Altech](#) manufacturer:

Other Similar products are found below :

[CSC-403PS](#) [8T1-D-11A](#) [B151-7184-L](#) [NEB10](#) [8C1-C-721](#) [8T1-E-115](#) [8T1-E-275](#) [8T1-E-278](#) [506-11315-001](#) [3803221](#) [X10506BF](#) [NES 9-](#)
[1393249-0](#) [802-ESB50UL489](#) [XFPB-4](#) [30.329](#) [X22261102](#) [CX2.5/4/O](#) [Y30019003](#) [PS-1006](#) [618.6335.069](#) [BAC03](#) [JX2.5/4](#) [JX2.5/6](#)
[JX2.5/5](#) [HSP6/10U](#) [DMRBU BLACK BOX](#) [DB16/BU](#) [CM2.5S2](#) [932146100](#) [930120000](#) [601.1231.909](#) [3PRG1](#) [3PLBR4LU](#) [351.5900.149](#)
[311.2850.340](#) [2624.0](#) [17BSSV](#) [1-1423696-8](#) [LS3-WH](#) [BAC12](#) [Y30028402](#) [30.617](#) [8T1-E-114](#) [SF06-5,08](#) [2LP199](#) [ZG20-2](#) [3PSML401](#)
[3PSML402](#) [2LP219](#)