

# BUSBAR ORDERING INFORMATION

Please consider the following criteria when choosing the proper busbar:

1. Number of phases
2. Number of devices / MMCs
3. Number of poles/number of pins
4. Sum of out going device currents \*

**Type/Cat. No. Designation:**

$\frac{3}{(A)} \frac{P}{(B)} \frac{25}{(C)} \frac{U}{(D)} \frac{3}{(E)} \frac{H}{(F)} / \overline{(G)}$

- (A) = Number of transverse copper strips inserted. (Can be 1, 2 or 3 for 1, 2 or 3 phases)
- (B) = Pin version
- (C) = 18mm<sup>2</sup> or 25mm<sup>2</sup> cross-section area
- (D) = USA and Canada design basics
- (E) = 1 or 3 track insulation
- (F) = Blank - No Spacing  
H-Auxiliary Switch (1/2 pole) spacing
- (G) = Total number of pins

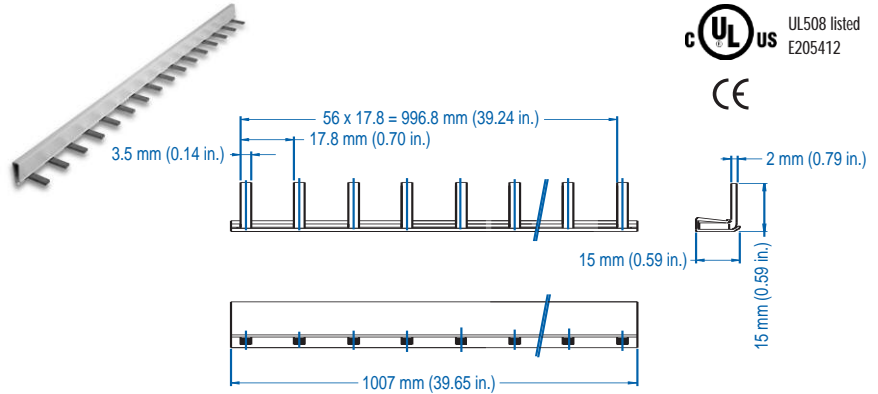
**Technical Specifications:**

- Material of Busbar: E-Cu58 F25 Copper
- Insulation Track Material: Bergamid B700 Plastic (130°C)
- Electrical Ratings:
  - 18mm<sup>2</sup>: 80A/480VAC
  - 25mm<sup>2</sup>: 100A/480VAC
- Manufactured according to VDE 0660 Part 100 and 502, VDE 0606, VDE 0659

**NOTES:**

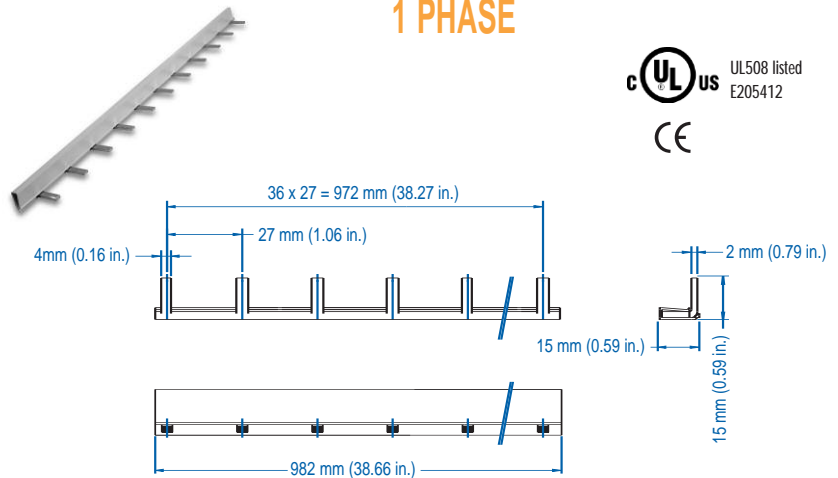
- \* Do not exceed the busbars rated current.
- \*\* For additional pin configurations, please consult Altech.

## 1 PHASE



18mm <sup>2</sup> Type/Cat. No.	No. of Pins **	No. of MMC to Jumper	Length mm
1P18U1/2	2	2x1 pole	32
1P18U1/4	4	4x1 pole	68
1P18U1/8	8	8x1 pole	144
1P18U1/12	12	12x1 pole	208
1P18U1/24	24	24x1 pole	420
1P18U1/36	36	36x1 pole	638
1P18U1/48	48	48x1 pole	852
1P18U1/57	57	57x1 pole	1009

## 1 PHASE



*With Auxiliary Switch (1/2 pole) Spacing*

18mm <sup>2</sup> Type/Cat. No.	No. of Pins **	No. of MMC to Jumper	Length mm
1P18U1H/2	2	2x1 pole	48
1P18U1H/4	4	4x1 pole	102
1P18U1H/8	8	8x1 pole	206
1P18U1H/12	12	12x1 pole	314
1P18U1H/18	18	18x1 pole	472
1P18U1H/24	24	24x1 pole	640
1P18U1H/30	30	30x1 pole	804
1P18U1H/37	37	37x1 pole	982

*For one pole spacing busbars, please consult Altech.*

## X-ON Electronics

Largest Supplier of Electrical and Electronic Components

*Click to view similar products for [Circuit Breaker Accessories](#) category:*

*Click to view products by [Altech](#) manufacturer:*

Other Similar products are found below :

[CSC-403PS](#) [8T1-D-11A](#) [B151-7184-L](#) [NEB10](#) [8C1-C-721](#) [8T1-E-115](#) [8T1-E-275](#) [8T1-E-278](#) [506-11315-001](#) [3803221](#) [X10506BF](#) [NES 9-](#)  
[1393249-0](#) [802-ESB50UL489](#) [XFPB-4](#) [30.329](#) [X22261102](#) [CX2.5/4/O](#) [Y30019003](#) [PS-1006](#) [618.6335.069](#) [BAC03](#) [JX2.5/4](#) [JX2.5/6](#)  
[JX2.5/5](#) [HSP6/10U](#) [DMRBU BLACK BOX](#) [DB16/BU](#) [CM2.5S2](#) [932146100](#) [930120000](#) [601.1231.909](#) [3PRG1](#) [3PLBR4LU](#) [351.5900.149](#)  
[311.2850.340](#) [2624.0](#) [17BSSV](#) [1-1423696-8](#) [LS3-WH](#) [BAC12](#) [Y30028402](#) [30.617](#) [8T1-E-114](#) [SF06-5,08](#) [2LP199](#) [ZG20-2](#) [3PSML401](#)  
[3PSML402](#) [2LP219](#)