

**4 Pole
With Ground**
PROTECTION
IP65
RATING



**Component
Parts**

Pre-Assembled Units

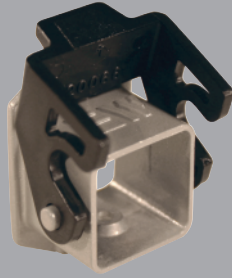
Covers

**FEMALE
Insert**



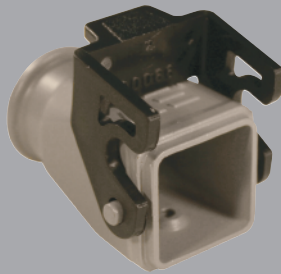
29010

**Bulkhead
Housing**



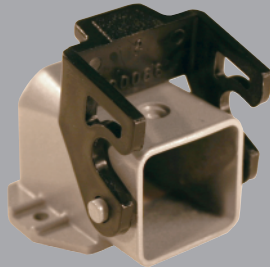
29013

Hood

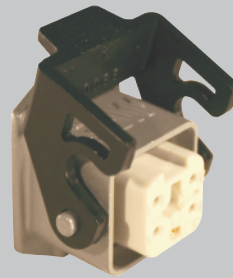


29015
29015M

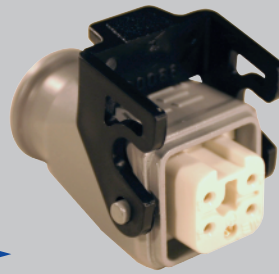
**Surface Mount
Housing**



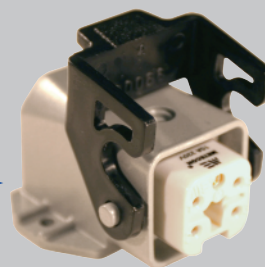
29014



403010



403015
403015M



403012



29640

Standard Part Numbers are
NPT threads.
Part numbers with an "M"
are metric thread.

**MALE
Insert**



29011

Hood



29017
29017M



403017
403017M



29642



Connectors should not be coupled
and decoupled under electrical load.

Inserts

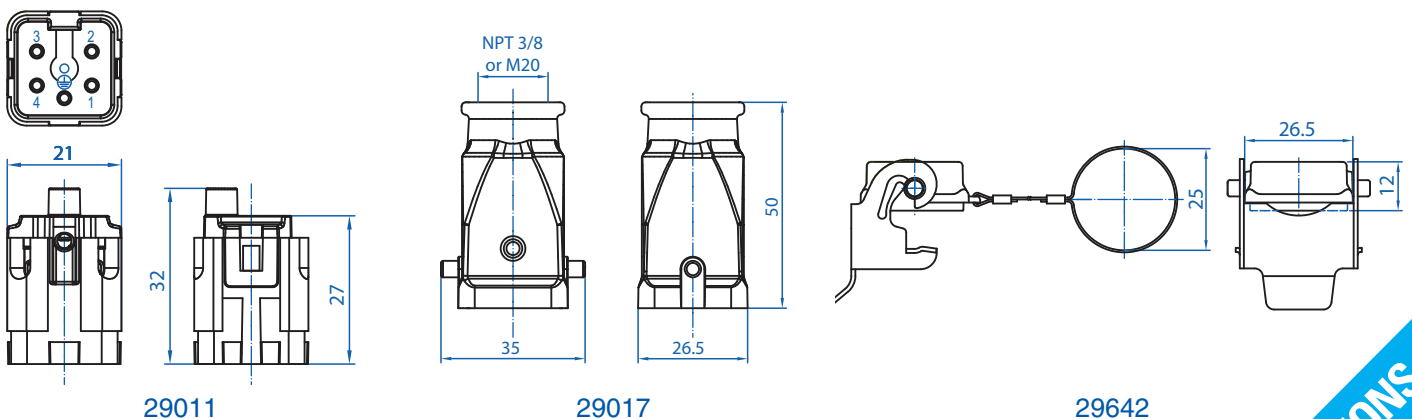
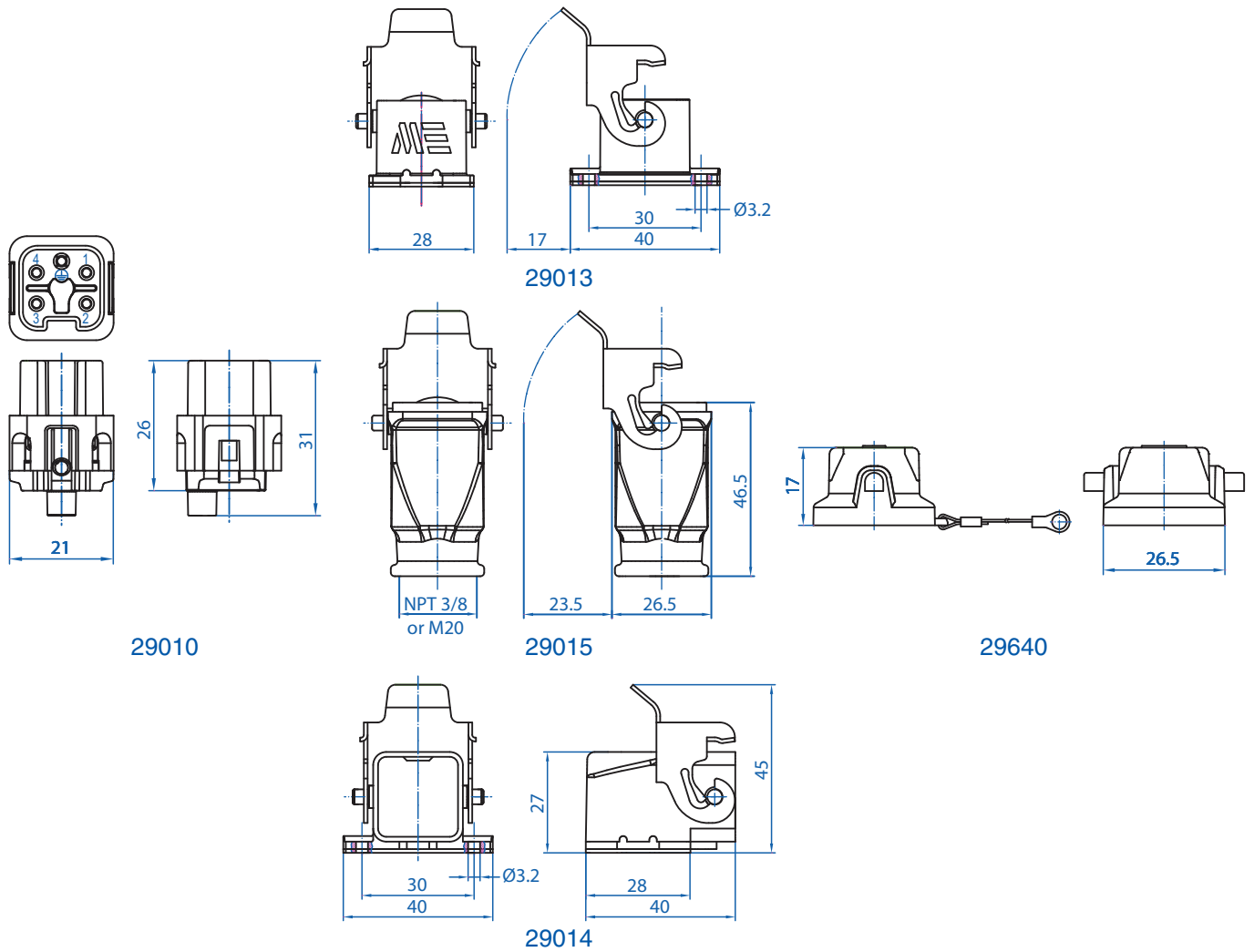
Number of contacts	4 Pole w/ ground
Electrical data to DIN EN61 984	10A 240V 6KV 3
Current	10A
Voltage	240V
Rated Impulse Voltage	6KV
Insulation Resistance	≥10 ¹⁰ Ω
Temperature Range	-40 to 125°C
Flammability	UL94-V0

Contacts

Screw terminal	
Material	Copper alloy
Surface plated	hard-silver
Contact resistance	≤ 1m Ω
Wire size	2.5mm ² / 14 AWG
Torque	0.5Nm
Stripping Length	7.5mm

Metal Hoods & Housings

Material	Aluminum
Surface	Powder coated
Seals	NBR
Degree of Protection Acc To	IP65
DIN EN60529 for coupled connectors	IP65
Thread Size	NPT 3/8" or M20



Connectors should not be coupled and decoupled under electrical load.

All dimensions are shown in millimeters. To convert to inches divide by 25.4.

X-ON Electronics

Largest Supplier of Electrical and Electronic Components

Click to view similar products for [Heavy Duty Power Connectors](#) category:

Click to view products by [Altech](#) manufacturer:

Other Similar products are found below :

[647757-1](#) [6643411-1](#) [6646058-2](#) [6646137-1](#) [6646138-1](#) [6646479-1](#) [6646608-1](#) [6646786-1](#) [6646940-1](#) [6651091-1](#) [6651525-1](#) [6651529-1](#)
[6651788-1](#) [696475-1](#) [73000005059](#) [73000005642](#) [765-15-0080A](#) [765-16-0080B](#) [829992-1](#) [902-77-02113](#) [129-1J](#) [AN0024023](#) [E6374G1](#)
[e6389g2](#) [157-43GW8](#) [MS3117-14AC](#) [1643543-1](#) [1650540-1](#) [1651811-2](#) [1766260-1](#) [1766282-1](#) [1766966-1](#) [1791340000](#) [NLDFT-3-BL-L-](#)
[S120-M40A](#) [NLDFT-N-W-L-C240-M40B](#) [NLS-2-R-C240-M40B](#) [NLS-N-W-C240-M40B](#) [NPS-3-BL-T6](#) [1986615-1](#) [2-1589900-8](#) [2199314-1](#)
[KA8102](#) [9300480317](#) [SBS50BRN#6](#) [29131](#) [29652](#) [1646905-1](#) [1648320-1](#) [1648582-1](#) [1650195-2](#)