

# 22mm Non-Illuminated Metal Operators



Certified for  
**NEMA Type 4X**  
12 environment.

## Flush

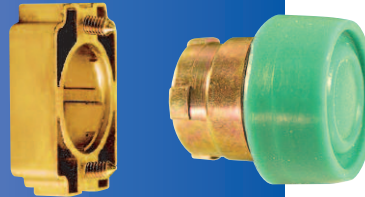
*Momentary  
with mounting bracket*



Color	Cat No.
<input type="checkbox"/> White	2AF1
<input checked="" type="checkbox"/> Black	2AF2
<input checked="" type="checkbox"/> Green	2AF3
<input checked="" type="checkbox"/> Red	2AF4
<input checked="" type="checkbox"/> Blue	2AF6
<input checked="" type="checkbox"/> Yellow	2AF8

## Booted

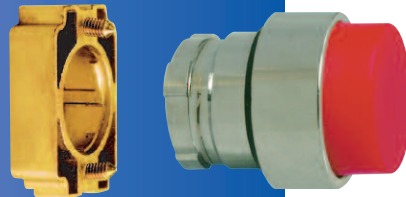
*Momentary  
with mounting bracket*



Color	Cat No.
<input type="checkbox"/> White	2AB1
<input checked="" type="checkbox"/> Black	2AB2
<input checked="" type="checkbox"/> Green	2AB3
<input checked="" type="checkbox"/> Red	2AB4
<input checked="" type="checkbox"/> Blue	2AB6
<input checked="" type="checkbox"/> Yellow	2AB8

## Projecting

*Momentary  
with mounting bracket*



Color	Cat No.
<input type="checkbox"/> White	2AP1
<input checked="" type="checkbox"/> Black	2AP2
<input checked="" type="checkbox"/> Green	2AP3
<input checked="" type="checkbox"/> Red	2AP4
<input checked="" type="checkbox"/> Blue	2AP6
<input checked="" type="checkbox"/> Yellow	2AP8

## Recessed

*Momentary  
with mounting bracket*



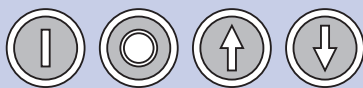
Color	Cat No.
<input type="checkbox"/> White	2AF1RH
<input checked="" type="checkbox"/> Black	2AF2RH
<input checked="" type="checkbox"/> Green	2AF3RH
<input checked="" type="checkbox"/> Red	2AF4RH
<input checked="" type="checkbox"/> Blue	2AF6RH
<input checked="" type="checkbox"/> Yellow	2AF8RH



All above operators available with remote attachment. Standard length is 50mm (2 in.), other lengths available upon request. Contact Altech for Part Number.

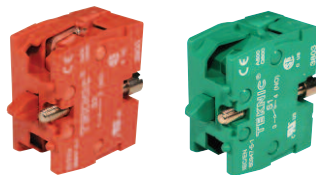


### Markings on Request



Altech Push Buttons are available in a variety of markings, including molded arrows. Please contact Altech for further information and part numbers.

### Switch Contacts (sold separately)



- Heavy-duty contact blocks with mounting screws. Blocks can be stacked 2 blocks across by 3 blocks deep for a total of 6 circuits.
- Contact blocks are available with silver contacts or gold plated contacts
- Self-wiping contacts

#### Panel Mount

Normally Open Silver	<b>S1</b>
Normally Closed Silver	<b>S2</b>
Normally Open Gold Plated	<b>S3</b>
Normally Closed Gold Plated	<b>S4</b>

#### Base Mount\*

Normally Open Silver	<b>S5</b>
Normally Closed Silver	<b>S6</b>
Normally Open Gold Plated	<b>S7</b>
Normally Closed Gold Plated	<b>S8</b>

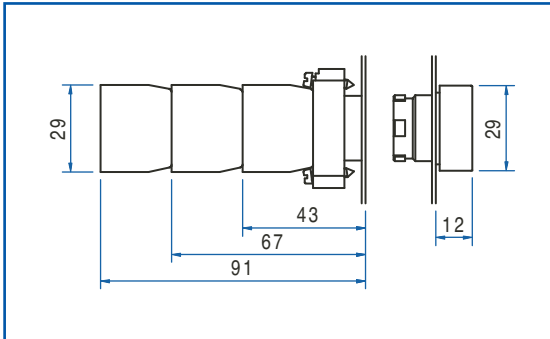
\* For use with non-illuminated operators in thermoplastic or aluminum enclosures listed on pages 30 and 36-37.

# 22mm Non-Illuminated Metal Operators

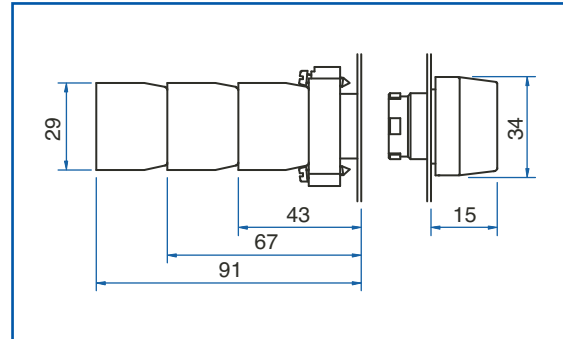
## Dimensional Drawings

All dimensions shown in millimeters.  
To convert to inches multiply by 0.03937

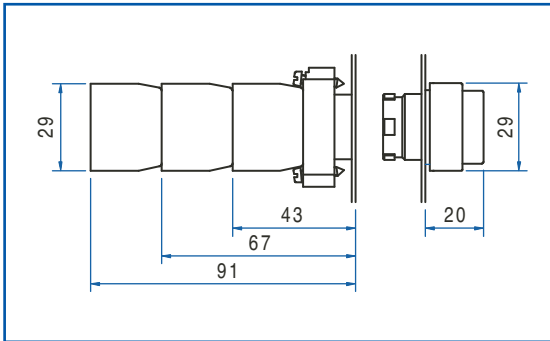
Non-Illuminated Flush



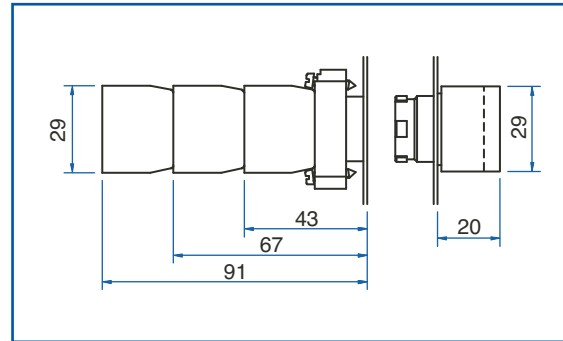
Non-Illuminated Booted



Non-Illuminated Projecting

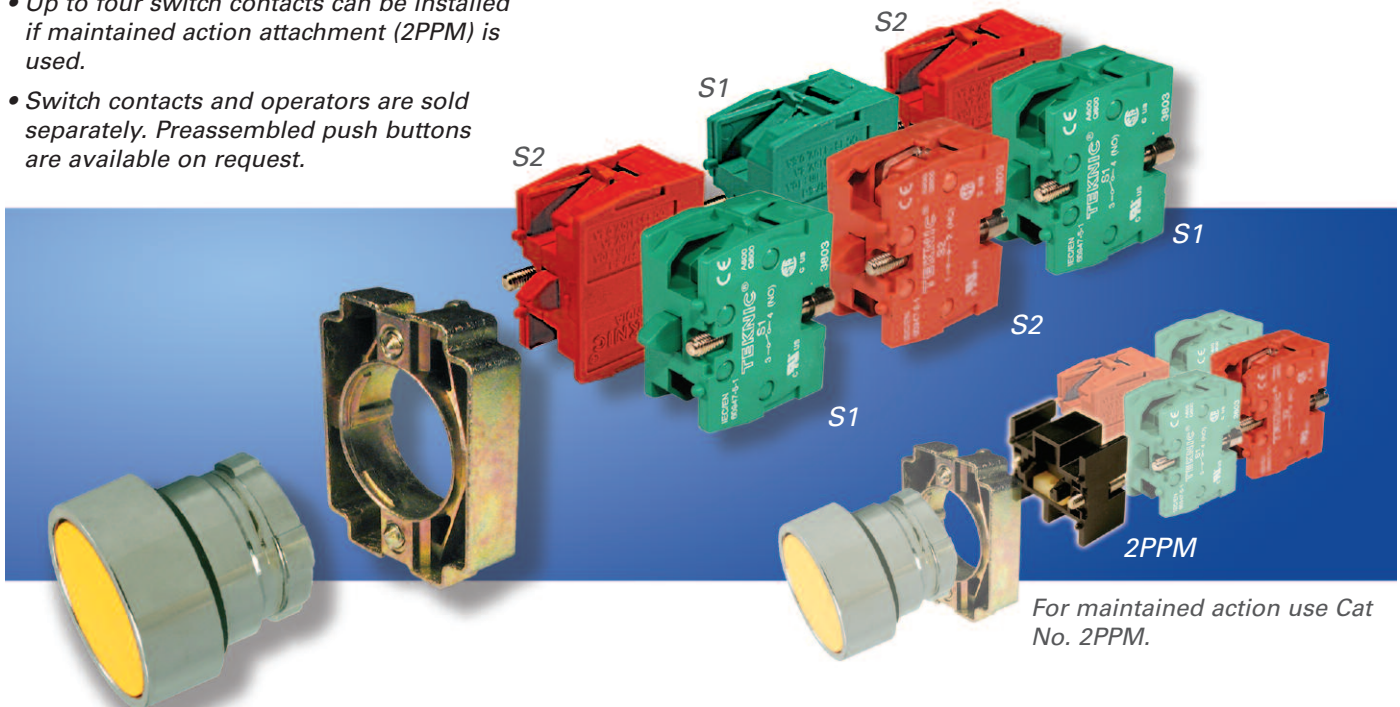


Non-Illuminated Recessed



## Exploded Assembly View

- Up to six switch contacts can be installed on any non-illuminated operator.
- Up to four switch contacts can be installed if maintained action attachment (2PPM) is used.
- Switch contacts and operators are sold separately. Preassembled push buttons are available on request.



For maintained action use Cat No. 2PPM.

## X-ON Electronics

Largest Supplier of Electrical and Electronic Components

*Click to view similar products for [Rotary Switches](#) category:*

*Click to view products by [Altech](#) manufacturer:*

Other Similar products are found below :

[57HS22-02-2-06N](#) [57M22-02B16N](#) [57M22-09A16N](#) [M3786/4-0881](#) [M3786/4-3267](#) [M3786/4-5568](#) [M3786/4-6029](#) [71ESF30-05204N](#)  
[MC06L1NCGF](#) [84986-26](#) [9003K2C003GA](#) [PLR3251](#) [PLR3262](#) [PS3](#) [A0142M2SP](#) [A029303](#) [R2AA4455NNNN](#) [R2BB4455NNNN](#) [DR75-](#)  
[AMSF-10R-B](#) [1703.3201](#) [HW1MS-0202-101](#) [24002-03S](#) [A029101](#) [ACSNO-129-YB-C1014](#) [ACSNO-134-RR-YB-C1005](#) [ACSNO-353-SB-](#)  
[C3016](#) [1825537-4](#) [T505](#) [T505E](#) [24005-03N](#) [H10207RR01Q](#) [M3786/39-4ZC](#) [M3786/4-0002](#) [M3786/4-0630](#) [M3786/4-1028L](#) [M3786/4-](#)  
[1233L](#) [M3786/4-3044](#) [M3786/4-3129](#) [M3786/4-5008L](#) [M3786/4-5256](#) [MC6CX1A502X009](#) [42HS36-01-1-06N](#) [42P36-03B10S](#) [44MBS60-](#)  
[04-2-03N](#) [44MG90-02-1-02N](#) [50KMT90-01-2-02N](#) [51A22-01-1-16S](#) [51CDP30-01PAJN](#) [51KSP30-01D04N](#) [51P30-01B12N](#)