

UL98 Motor Disconnect Switch - Polycarbonate Enclosure

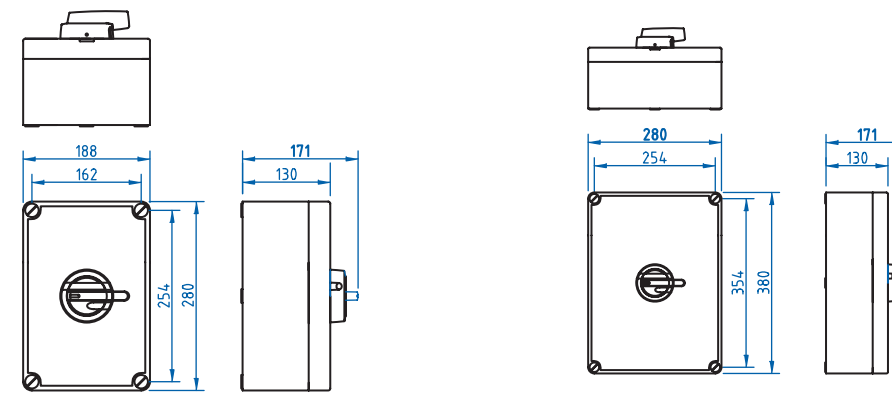
- Can be used locally at the motor
- UL Type 4X
- IEC IP65 Protection Level
- UV resistant
- Resistant to many chemicals
- Lockable - Defeatable Handle



UL US CE All Models are lockable with up to 3 padlocks.

Catalog Number	KEM360UL98 Y/R KEM360UL98		KEM460UL98 Y/R KEM460UL98		KEM3100UL98 Y/R KEM3100UL98		KEM4100UL98 Y/R KEM4100UL98	
No. of Poles*	3		4		3		4	
General Purpose Current	60 A		60 A		100 A		100 A	
Maximum Voltage	600V AC		600V AC		600V AC		600V AC	
Horsepower Rating /HP	1 Phase	3 Phase	1 Phase	3 Phase	1 Phase	3 Phase	1 Phase	3 Phase
120V AC	3	-	3	-	5	-	5	-
240V AC	7.5	20	7.5	20	10	25	10	25
480V AC	-	40	-	40	-	50	-	50
600V AC	-	60	-	60	-	75	-	75
Short Circuit Withstand Rating at 600 V	50 kA/60 A Class J		50 kA/60 A Class J		50 kA/100 A Class J		50 kA/100 A Class J	
Terminal Size Acceptability (Cu Conductors only, 75°C)	8-1/0 AWG		8-1/0 AWG		8-1/0 AWG		8-1/0 AWG	
Terminal Torque	65lb. in. (6.0 Nm)		65lb. in. (6.0 Nm)		65lb. in. (6.0 Nm)		65lb. in. (6.0 Nm)	
Screw Head Type	4mm Allen Key		4mm Allen Key		4mm Allen Key		4mm Allen Key	
Dimensions & Size	MF10		MF10		MF11UL		MF11UL	

(to convert to inches multiply by 0.03937)



Weight	2.4 kg	3.3 kg	2.5 kg	3.4 kg
--------	--------	--------	--------	--------

Suitable Accessories



Cat. No.	1.V160KU	2.V160KU
No. of Contacts	1n.o./1n.c.	2n.o./2n.c.
Electrical Rating	16 A/1/2HP/125-250V AC	

* 6 and 8 pole versions along with changeover version available upon request.



We have a full line of High Quality Disconnect Switches & Accessories.

FEATURES AND BENEFITS:

- One of the smallest 80 A switches in the industry
- Advanced switch technology (use of silver contacts ensures safe and durable operation)
- Across the line, motor starting - up to 75 hp/600 V
- General Use Rating - 16 A to 150 A/600 V
- Available as rotary switches for extended or direct handle applications
- Toggle switches
- Non-fused switch
- Short Circuit Withstand Rating of 10 kA with back-up fuse
- DIN Rail and panel mount available
- Comprehensive range of accessories
- Snap on auxiliary contacts
- Enclosed switches have UL Listed Type 4 and/or 4X rating; watertight
- Operating temperature is -20°C to +40°C



UL60947-4-1A (Formerly UL508) Listed Manual Motor Controllers

with Disconnecting Means



AC Motor Across-The-Line
AC General Use

Altech Corp.®



Quality Endorsed Company



UL98 Disconnect Switches

Altech Corporation
35 Royal Road
Flemington, NJ 08822-6000
P 908.806.9400 • F 908.806.9490
www.altechcorp.com



Altech Corp.® 444UL98-2000
Printed June 2019

UL98 Motor Disconnect Switch - Extended

- Every design is lockable in OFF position
- Switching mechanism speed is independent from the operator
- Silver contacts ensure safe and durable operation

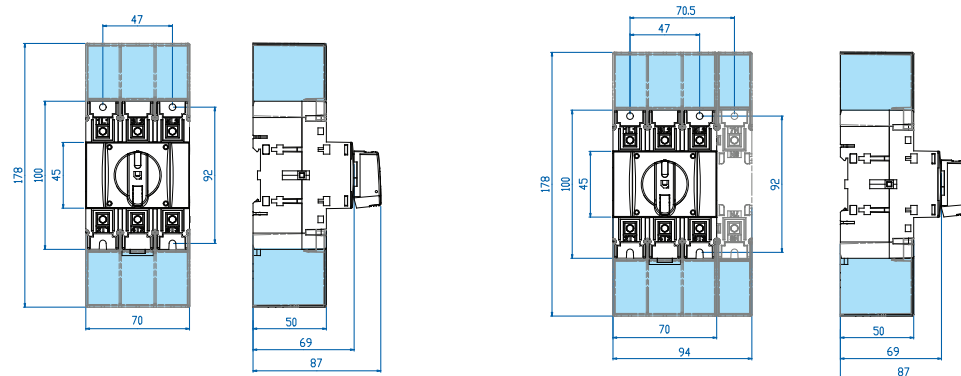


4 Pole disconnect switch shown with optional 3 pole touch protector

Catalog Number	KU360UL98		KU3100UL98		KU460UL98		KU4100UL98		
No. of Poles*	3		3		4		4		
General Purpose Current	60 A		100 A		60 A		100 A		
Maximum Voltage	600V AC		600V AC		600V AC		600V AC		
Horsepower Rating /HP	1 Phase	3 Phase	1 Phase	3 Phase	1 Phase	3 Phase	1 Phase	3 Phase	
	120V AC	3	—	5	—	3	—	5	—
	240V AC	7½	20	10	25	7½	20	10	25
	480V AC	—	40	—	50	—	40	—	50
	600V AC	—	60	—	75	—	60	—	75
Short Circuit Withstand Rating at 600 V	50 kA/60 A Class J		50 kA/60 A Class J		50 kA/60 A Class J		50 kA/60 A Class J		
Terminal Size Acceptability (Cu Conductors only, 75°C)	8-1/0 AWG		8-1/0 AWG		8-1/0 AWG		8-1/0 AWG		
Terminal Torque	65lb. in. (6.0 Nm)		65lb. in. (6.0 Nm)		65lb. in. (6.0 Nm)		65lb. in. (6.0 Nm)		
Screw Head Type	4mm Allen Key		4mm Allen Key		4mm Allen Key		4mm Allen Key		
Dimensions									

(to convert to inches multiply by 0.03937)

NOTE: Optional touch protectors shown in light blue.



Weight	0.45 kg	0.45 kg	0.59 kg	0.59 kg
---------------	---------	---------	---------	---------

Suitable Accessories

DOOR INTERLOCK HANDLES



Lockable with up to 3 padlocks.

Lockable with up to 3 padlocks.

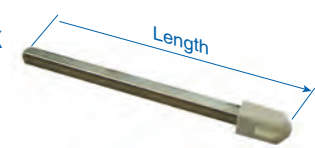
Cat. No.	LK10 UL	LK10 Y/R UL	LK11 U	LK11 Y/R U
Environmental Rating UL (IEC)	UL Type 4X (IP66)		UL Type 4X (IP67)	
Color	Black	Yellow/Red	Black	Yellow/Red

SIDE MOUNTED AUXILIARY SWITCHES

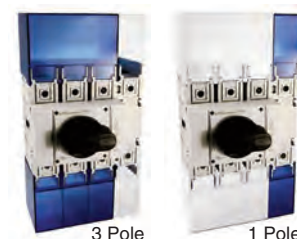


Cat. No.	1.V160KU	2.V160KU
No. if Contacts	1n.o./1n.c.	2n.o./2n.c.
Electrical Rating	16 A/1/2HP/125-250V AC	

DOOR INTERLOCK SHAFT



Cat. No.	L100 AD11-ST	L200 AD11-ST	L300AD11-ST
Length (L)	100 mm	200 mm	300 mm
Material	Steel	Steel	Steel



BLUE TOUCH PROTECTOR

Cat. No.	LS/VS 160 3P	LS/VS N160
Poles	3	1

* 6 and 8 pole versions along with changeover version available upon request.

UL98 Motor Disconnect Switch - Sheet Metal Enclosure

- Can be used locally at the motor
- UL Type 4
- Excellent in harsh weather conditions
- Resistant to many chemicals
- Corrosion and UV resistant
- IEC IP65 Protection Level
- Lockable - Defeatable Handle

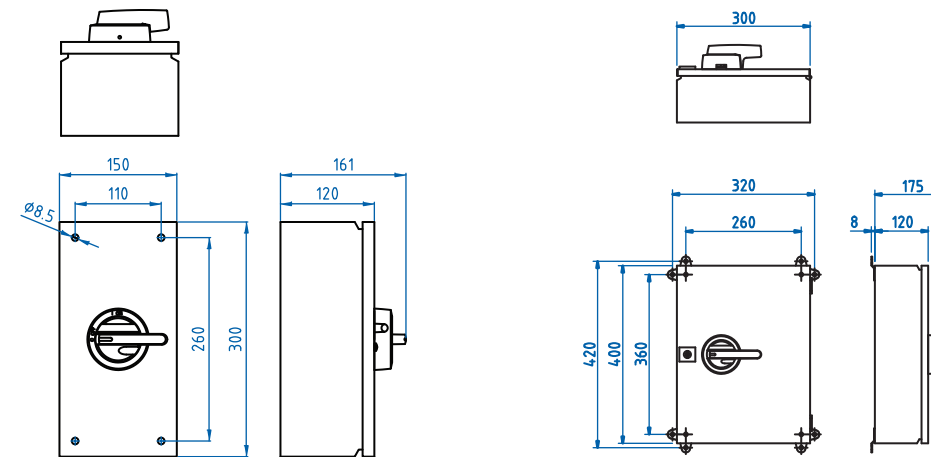


All Models are lockable with up to 3 padlocks.



Catalog Number	KET360UL98 Y/R KET360UL98		KET460UL98 Y/R KET460UL98		KET3100UL98 Y/R KET3100UL98		KET4100UL98 Y/R KET4100UL98		
No. of Poles*	3		4		3		4		
General Purpose Current	60 A		60 A		100 A		100 A		
Maximum Voltage	600V AC		600V AC		600V AC		600V AC		
Horsepower Rating /HP	1 Phase	3 Phase	1 Phase	3 Phase	1 Phase	3 Phase	1 Phase	3 Phase	
	120V AC	3	—	3	—	5	—	5	—
	240V AC	7.5	20	7.5	20	10	25	10	25
	480V AC	—	40	—	40	—	50	—	50
	600V AC	—	60	—	60	—	75	—	75
Short Circuit Withstand Rating at 600 V	50 kA/60 A Class J		50 kA/60 A Class J		50 kA/100 A Class J		50 kA/100 A Class J		
Terminal Size Acceptability (Cu Conductors only, 75°C)	8-1/0 AWG		8-1/0 AWG		8-1/0 AWG		8-1/0 AWG		
Terminal Torque	65lb. in. (6.0 Nm)		65lb. in. (6.0 Nm)		65lb. in. (6.0 Nm)		65lb. in. (6.0 Nm)		
Screw Head Type	4mm Allen Key		4mm Allen Key		4mm Allen Key		4mm Allen Key		
Dimensions & Size	TR01		TR01		TR02		TR02		

(to convert to inches multiply by 0.03937)



Weight	4.3 kg	4.4 kg	9.7 kg	9.8 kg
---------------	--------	--------	--------	--------

Suitable Accessories

AUXILIARY SWITCHES



Cat. No.	1.V160KU	2.V160KU
No. if Contacts	1n.o./1n.c.	2n.o./2n.c.
Electrical Rating	16 A/1/2HP/125-250V AC	

* 6 and 8 pole versions along with changeover version available upon request.

UL98 Motor Disconnect Switch - Stainless Steel Enclosure

- Can be used locally at the motor
- UL Type 4X
- Ideal where chemicals are used for cleaning and maintenance such as food processing and breweries
- Mining is another application area
- Stainless Steel (Grade AISI 316)
- Corrosion Resistant
- IEC IP65 Protection Level
- Lockable - Defeatable Handle

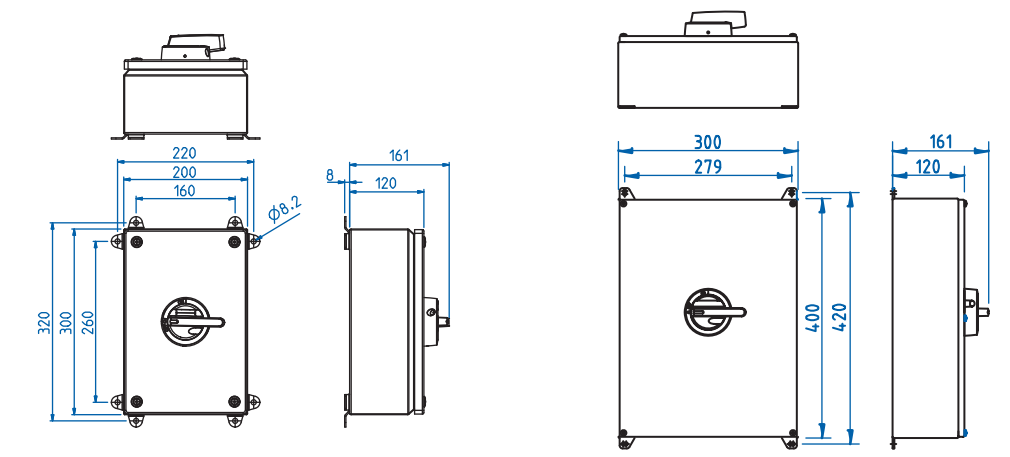


All Models are lockable with up to 3 padlocks.



Catalog Number	KER360UL98 Y/R KER360UL98		KER460UL98 Y/R KER460UL98		KER3100UL98 Y/R KER3100UL98		KER4100UL98 Y/R KER4100UL98		
No. of Poles*	3		4		3		4		
General Purpose Current	60 A		60 A		100 A		100 A		
Maximum Voltage	600V AC		600V AC		600V AC		600V AC		
Horsepower Rating /HP	1 Phase	3 Phase	1 Phase	3 Phase	1 Phase	3 Phase	1 Phase	3 Phase	
	120V AC	3	—	3	—	5	—	5	—
	240V AC	7.5	20	7.5	20	10	25	10	25
	480V AC	—	40	—	40	—	50	—	50
	600V AC	—	60	—	60	—	75	—	75
Short Circuit Withstand Rating at 600 V	50 kA/60 A Class J		50 kA/60 A Class J		50 kA/100 A Class J		50 kA/100 A Class J		
Terminal Size Acceptability (Cu Conductors only, 75°C)	8-1/0 AWG		8-1/0 AWG		8-1/0 AWG		8-1/0 AWG		
Terminal Torque	65lb. in. (6.0 Nm)		65lb. in. (6.0 Nm)		65lb. in. (6.0 Nm)		65lb. in. (6.0 Nm)		
Screw Head Type	4mm Allen Key		4mm Allen Key		4mm Allen Key		4mm Allen Key		
Dimensions & Size	H01		H01		H02		H02		

(to convert to inches multiply by 0.03937)



Weight	3.3 kg	3.4 kg	6.9 kg	7.0 kg
---------------	--------	--------	--------	--------

Suitable Accessories

AUXILIARY SWITCHES



Cat. No.	1.V160KU	2.V160KU
No. if Contacts	1n.o./1n.c.	2n.o./2n.c.
Electrical Rating	16 A/1/2HP/125-250V AC	

* 6 and 8 pole versions along with changeover version available upon request.

UL98 Motor Disconnect Switch - Extended

- Every design is lockable in OFF position
- Switching mechanism speed is independent from the operator
- Silver contacts ensure safe and durable operation

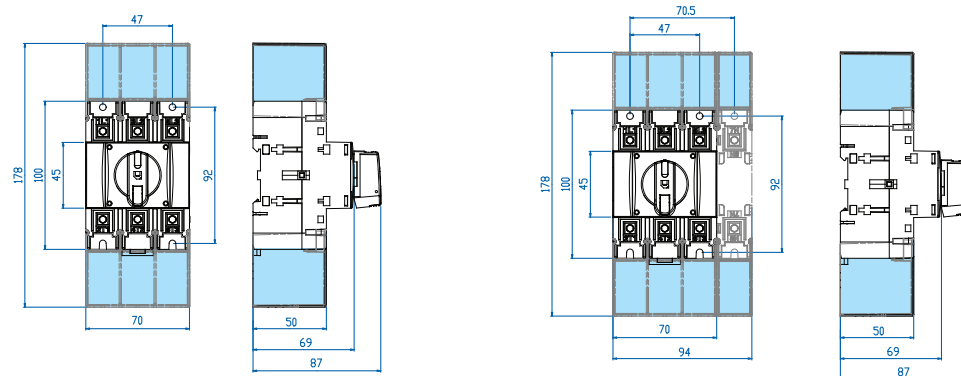


4 Pole disconnect switch shown with optional 3 pole touch protector

Catalog Number	KU360UL98		KU3100UL98		KU460UL98		KU4100UL98		
No. of Poles*	3		3		4		4		
General Purpose Current	60 A		100 A		60 A		100 A		
Maximum Voltage	600V AC		600V AC		600V AC		600V AC		
Horsepower Rating /HP	1 Phase	3 Phase	1 Phase	3 Phase	1 Phase	3 Phase	1 Phase	3 Phase	
	120V AC	3	—	5	—	3	—	5	—
	240V AC	7½	20	10	25	7½	20	10	25
	480V AC	—	40	—	50	—	40	—	50
	600V AC	—	60	—	75	—	60	—	75
Short Circuit Withstand Rating at 600 V	50 kA/60 A Class J		50 kA/60 A Class J		50 kA/60 A Class J		50 kA/60 A Class J		
Terminal Size Acceptability (Cu Conductors only, 75°C)	8-1/0 AWG		8-1/0 AWG		8-1/0 AWG		8-1/0 AWG		
Terminal Torque	65lb. in. (6.0 Nm)		65lb. in. (6.0 Nm)		65lb. in. (6.0 Nm)		65lb. in. (6.0 Nm)		
Screw Head Type	4mm Allen Key		4mm Allen Key		4mm Allen Key		4mm Allen Key		
Dimensions									

(to convert to inches multiply by 0.03937)

NOTE: Optional touch protectors shown in light blue.



Weight	0.45 kg	0.45 kg	0.59 kg	0.59 kg
---------------	---------	---------	---------	---------

Suitable Accessories

DOOR INTERLOCK HANDLES

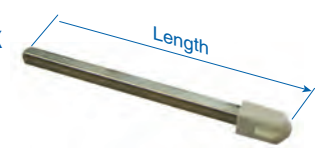


Lockable with up to 3 padlocks.

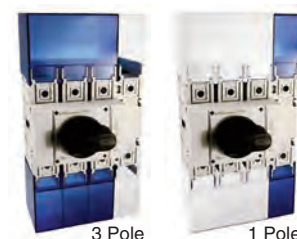
Lockable with up to 3 padlocks.

Cat. No.	LK10 UL	LK10 Y/R UL	LK11 U	LK11 Y/R U
Environmental Rating UL (IEC)	UL Type 4X (IP66)		UL Type 4X (IP67)	
Color	Black	Yellow/Red	Black	Yellow/Red

DOOR INTERLOCK SHAFT



Cat. No.	L100 AD11-ST	L200 AD11-ST	L300AD11-ST
Length (L)	100 mm	200 mm	300 mm
Material	Steel	Steel	Steel



BLUE TOUCH PROTECTOR

Cat. No.	LS/VS 160 3P	LS/VS N160
Poles	3	1

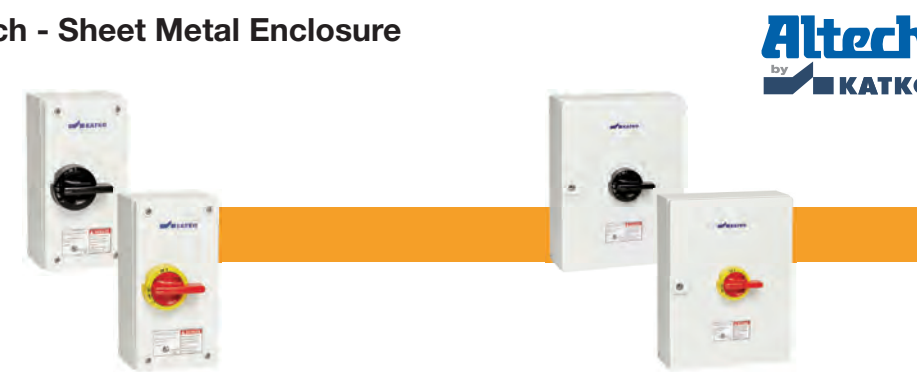
* 6 and 8 pole versions along with changeover version available upon request.

UL98 Motor Disconnect Switch - Sheet Metal Enclosure

- Can be used locally at the motor
- UL Type 4
- Excellent in harsh weather conditions
- Resistant to many chemicals
- Corrosion and UV resistant
- IEC IP65 Protection Level
- Lockable - Defeatable Handle

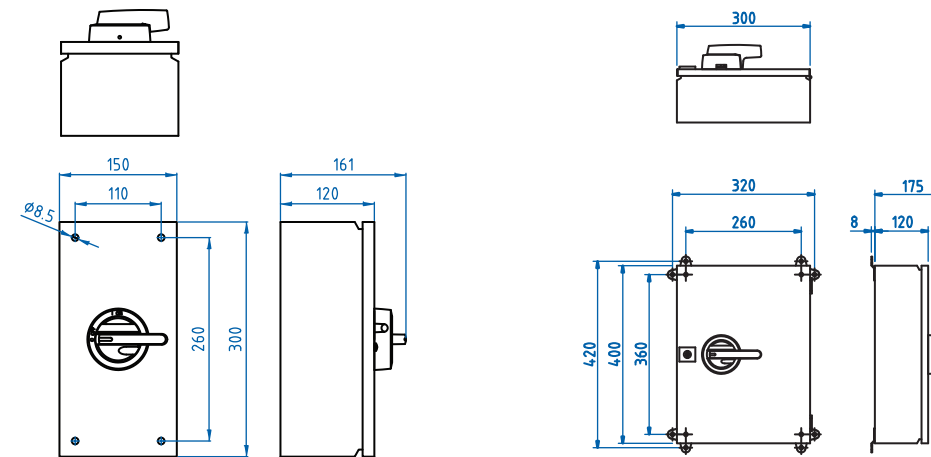


All Models are lockable with up to 3 padlocks.



Catalog Number	KET360UL98 Y/R KET360UL98		KET460UL98 Y/R KET460UL98		KET3100UL98 Y/R KET3100UL98		KET4100UL98 Y/R KET4100UL98		
No. of Poles*	3		4		3		4		
General Purpose Current	60 A		60 A		100 A		100 A		
Maximum Voltage	600V AC		600V AC		600V AC		600V AC		
Horsepower Rating /HP	1 Phase	3 Phase	1 Phase	3 Phase	1 Phase	3 Phase	1 Phase	3 Phase	
	120V AC	3	—	3	—	5	—	5	—
	240V AC	7.5	20	7.5	20	10	25	10	25
	480V AC	—	40	—	40	—	50	—	50
	600V AC	—	60	—	60	—	75	—	75
Short Circuit Withstand Rating at 600 V	50 kA/60 A Class J		50 kA/60 A Class J		50 kA/100 A Class J		50 kA/100 A Class J		
Terminal Size Acceptability (Cu Conductors only, 75°C)	8-1/0 AWG		8-1/0 AWG		8-1/0 AWG		8-1/0 AWG		
Terminal Torque	65lb. in. (6.0 Nm)		65lb. in. (6.0 Nm)		65lb. in. (6.0 Nm)		65lb. in. (6.0 Nm)		
Screw Head Type	4mm Allen Key		4mm Allen Key		4mm Allen Key		4mm Allen Key		
Dimensions & Size	TR01		TR01		TR02		TR02		

(to convert to inches multiply by 0.03937)



Weight	4.3 kg	4.4 kg	9.7 kg	9.8 kg
---------------	--------	--------	--------	--------

Suitable Accessories

AUXILIARY SWITCHES



Cat. No.	1.V160KU	2.V160KU
No. if Contacts	1n.o./1n.c.	2n.o./2n.c.
Electrical Rating	16 A/1/2HP/125-250V AC	

* 6 and 8 pole versions along with changeover version available upon request.

UL98 Motor Disconnect Switch - Stainless Steel Enclosure

- Can be used locally at the motor
- UL Type 4X
- Ideal where chemicals are used for cleaning and maintenance such as food processing and breweries
- Mining is another application area
- Stainless Steel (Grade AISI 316)
- Corrosion Resistant
- IEC IP65 Protection Level
- Lockable - Defeatable Handle

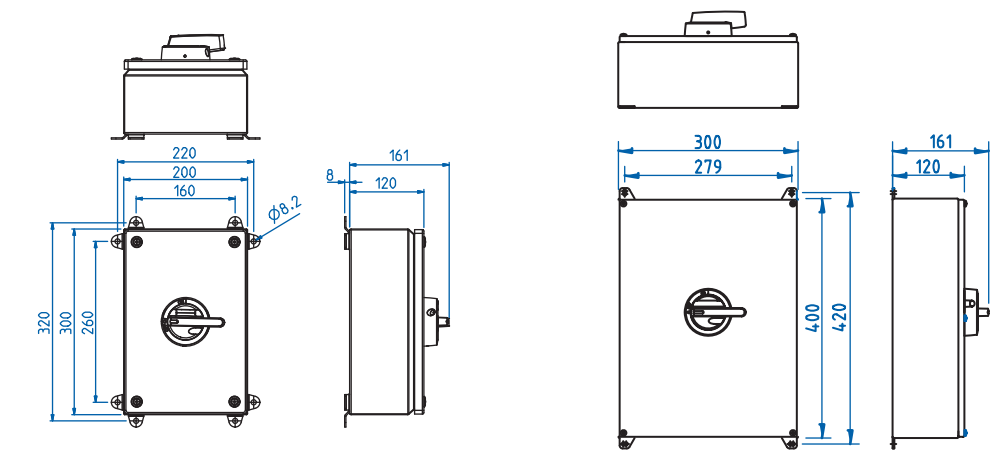


All Models are lockable with up to 3 padlocks.



Catalog Number	KER360UL98 Y/R KER360UL98		KER460UL98 Y/R KER460UL98		KER3100UL98 Y/R KER3100UL98		KER4100UL98 Y/R KER4100UL98		
No. of Poles*	3		4		3		4		
General Purpose Current	60 A		60 A		100 A		100 A		
Maximum Voltage	600V AC		600V AC		600V AC		600V AC		
Horsepower Rating /HP	1 Phase	3 Phase	1 Phase	3 Phase	1 Phase	3 Phase	1 Phase	3 Phase	
	120V AC	3	—	3	—	5	—	5	—
	240V AC	7.5	20	7.5	20	10	25	10	25
	480V AC	—	40	—	40	—	50	—	50
	600V AC	—	60	—	60	—	75	—	75
Short Circuit Withstand Rating at 600 V	50 kA/60 A Class J		50 kA/60 A Class J		50 kA/100 A Class J		50 kA/100 A Class J		
Terminal Size Acceptability (Cu Conductors only, 75°C)	8-1/0 AWG		8-1/0 AWG		8-1/0 AWG		8-1/0 AWG		
Terminal Torque	65lb. in. (6.0 Nm)		65lb. in. (6.0 Nm)		65lb. in. (6.0 Nm)		65lb. in. (6.0 Nm)		
Screw Head Type	4mm Allen Key		4mm Allen Key		4mm Allen Key		4mm Allen Key		
Dimensions & Size	H01		H01		H02		H02		

(to convert to inches multiply by 0.03937)



Weight	3.3 kg	3.4 kg	6.9 kg	7.0 kg
---------------	--------	--------	--------	--------

Suitable Accessories

AUXILIARY SWITCHES



Cat. No.	1.V160KU	2.V160KU
No. if Contacts	1n.o./1n.c.	2n.o./2n.c.
Electrical Rating	16 A/1/2HP/125-250V AC	

* 6 and 8 pole versions along with changeover version available upon request.

UL98 Motor Disconnect Switch - Extended

- Every design is lockable in OFF position
- Switching mechanism speed is independent from the operator
- Silver contacts ensure safe and durable operation

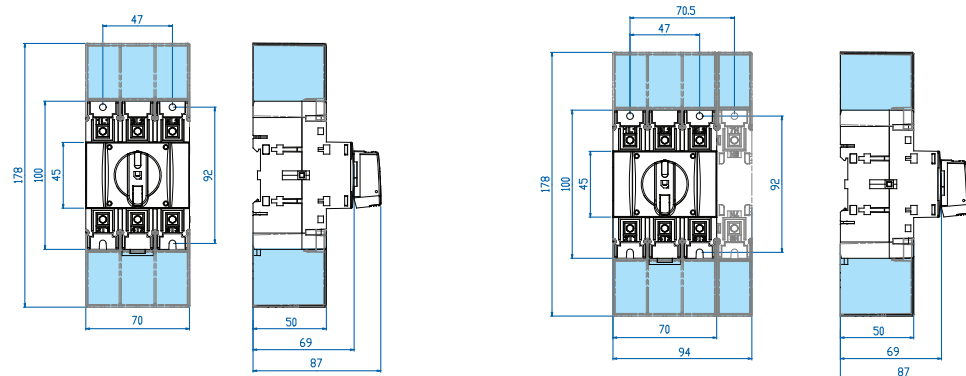


4 Pole disconnect switch shown with optional 3 pole touch protector

Catalog Number	KU360UL98		KU3100UL98		KU460UL98		KU4100UL98		
No. of Poles*	3		3		4		4		
General Purpose Current	60 A		100 A		60 A		100 A		
Maximum Voltage	600V AC		600V AC		600V AC		600V AC		
Horsepower Rating /HP	1 Phase	3 Phase	1 Phase	3 Phase	1 Phase	3 Phase	1 Phase	3 Phase	
	120V AC	3	—	5	—	3	—	5	—
	240V AC	7½	20	10	25	7½	20	10	25
	480V AC	—	40	—	50	—	40	—	50
	600V AC	—	60	—	75	—	60	—	75
Short Circuit Withstand Rating at 600 V	50 kA/60 A Class J		50 kA/60 A Class J		50 kA/60 A Class J		50 kA/60 A Class J		
Terminal Size Acceptability (Cu Conductors only, 75°C)	8-1/0 AWG		8-1/0 AWG		8-1/0 AWG		8-1/0 AWG		
Terminal Torque	65lb. in. (6.0 Nm)		65lb. in. (6.0 Nm)		65lb. in. (6.0 Nm)		65lb. in. (6.0 Nm)		
Screw Head Type	4mm Allen Key		4mm Allen Key		4mm Allen Key		4mm Allen Key		
Dimensions									

(to convert to inches multiply by 0.03937)

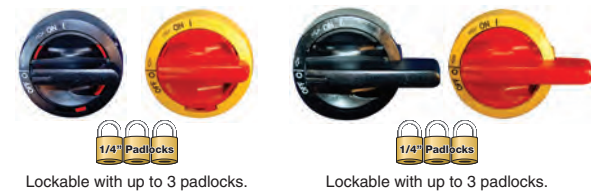
NOTE: Optional touch protectors shown in light blue.



Weight	0.45 kg	0.45 kg	0.59 kg	0.59 kg
---------------	---------	---------	---------	---------

Suitable Accessories

DOOR INTERLOCK HANDLES

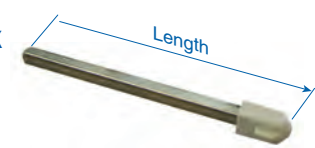


Lockable with up to 3 padlocks.

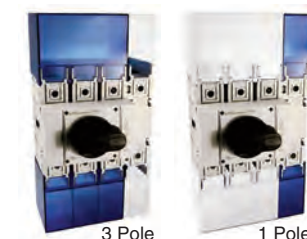
Lockable with up to 3 padlocks.

Cat. No.	LK10 UL	LK10 Y/R UL	LK11 U	LK11 Y/R U	Cat. No.	1.V160KU	2.V160KU
Environmental Rating UL (IEC)	UL Type 4X (IP66)		UL Type 4X (IP67)		No. if Contacts	1n.o./1n.c.	2n.o./2n.c.
Color	Black	Yellow/Red	Black	Yellow/Red	Electrical Rating	16 A/1/2HP/125-250V AC	

DOOR INTERLOCK SHAFT



Cat. No.	L100 AD11-ST	L200 AD11-ST	L300AD11-ST	Cat. No.	LS/VS 160 3P	LS/VS N160
Length (L)	100 mm	200 mm	300 mm	Poles	3	1
Material	Steel	Steel	Steel			



BLUE TOUCH PROTECTOR

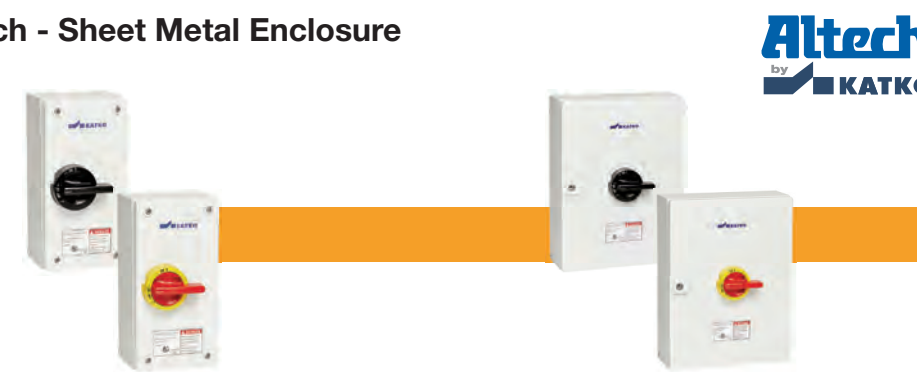
* 6 and 8 pole versions along with changeover version available upon request.

UL98 Motor Disconnect Switch - Sheet Metal Enclosure

- Can be used locally at the motor
- UL Type 4
- Excellent in harsh weather conditions
- Resistant to many chemicals
- Corrosion and UV resistant
- IEC IP65 Protection Level
- Lockable - Defeatable Handle

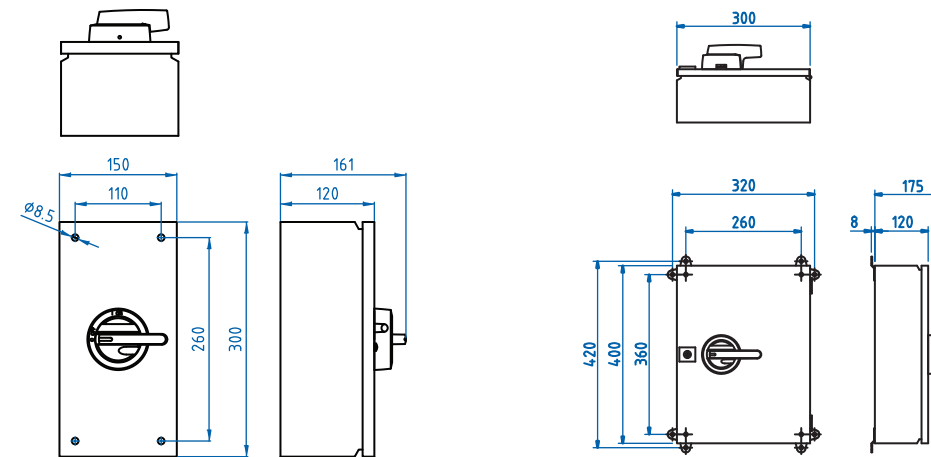


All Models are lockable with up to 3 padlocks.



Catalog Number	KET360UL98 Y/R KET360UL98		KET460UL98 Y/R KET460UL98		KET3100UL98 Y/R KET3100UL98		KET4100UL98 Y/R KET4100UL98		
No. of Poles*	3		4		3		4		
General Purpose Current	60 A		60 A		100 A		100 A		
Maximum Voltage	600V AC		600V AC		600V AC		600V AC		
Horsepower Rating /HP	1 Phase	3 Phase	1 Phase	3 Phase	1 Phase	3 Phase	1 Phase	3 Phase	
	120V AC	3	—	3	—	5	—	5	—
	240V AC	7.5	20	7.5	20	10	25	10	25
	480V AC	—	40	—	40	—	50	—	50
	600V AC	—	60	—	60	—	75	—	75
Short Circuit Withstand Rating at 600 V	50 kA/60 A Class J		50 kA/60 A Class J		50 kA/100 A Class J		50 kA/100 A Class J		
Terminal Size Acceptability (Cu Conductors only, 75°C)	8-1/0 AWG		8-1/0 AWG		8-1/0 AWG		8-1/0 AWG		
Terminal Torque	65lb. in. (6.0 Nm)		65lb. in. (6.0 Nm)		65lb. in. (6.0 Nm)		65lb. in. (6.0 Nm)		
Screw Head Type	4mm Allen Key		4mm Allen Key		4mm Allen Key		4mm Allen Key		
Dimensions & Size	TR01		TR01		TR02		TR02		

(to convert to inches multiply by 0.03937)



Weight	4.3 kg	4.4 kg	9.7 kg	9.8 kg
---------------	--------	--------	--------	--------

Suitable Accessories

AUXILIARY SWITCHES



Cat. No.	1.V160KU	2.V160KU
No. if Contacts	1n.o./1n.c.	2n.o./2n.c.
Electrical Rating	16 A/1/2HP/125-250V AC	

* 6 and 8 pole versions along with changeover version available upon request.

UL98 Motor Disconnect Switch - Stainless Steel Enclosure

- Can be used locally at the motor
- UL Type 4X
- Ideal where chemicals are used for cleaning and maintenance such as food processing and breweries
- Mining is another application area
- Stainless Steel (Grade AISI 316)
- Corrosion Resistant
- IEC IP65 Protection Level
- Lockable - Defeatable Handle

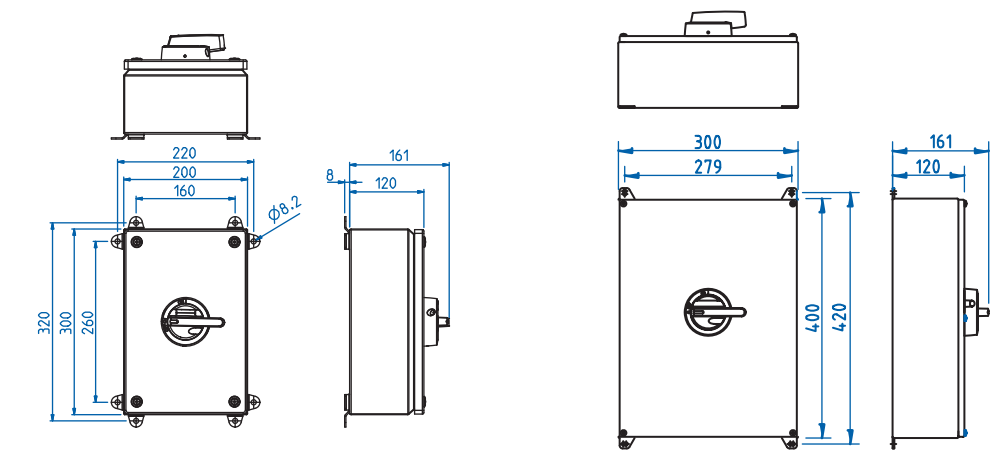


All Models are lockable with up to 3 padlocks.



Catalog Number	KER360UL98 Y/R KER360UL98		KER460UL98 Y/R KER460UL98		KER3100UL98 Y/R KER3100UL98		KER4100UL98 Y/R KER4100UL98		
No. of Poles*	3		4		3		4		
General Purpose Current	60 A		60 A		100 A		100 A		
Maximum Voltage	600V AC		600V AC		600V AC		600V AC		
Horsepower Rating /HP	1 Phase	3 Phase	1 Phase	3 Phase	1 Phase	3 Phase	1 Phase	3 Phase	
	120V AC	3	—	3	—	5	—	5	—
	240V AC	7.5	20	7.5	20	10	25	10	25
	480V AC	—	40	—	40	—	50	—	50
	600V AC	—	60	—	60	—	75	—	75
Short Circuit Withstand Rating at 600 V	50 kA/60 A Class J		50 kA/60 A Class J		50 kA/100 A Class J		50 kA/100 A Class J		
Terminal Size Acceptability (Cu Conductors only, 75°C)	8-1/0 AWG		8-1/0 AWG		8-1/0 AWG		8-1/0 AWG		
Terminal Torque	65lb. in. (6.0 Nm)		65lb. in. (6.0 Nm)		65lb. in. (6.0 Nm)		65lb. in. (6.0 Nm)		
Screw Head Type	4mm Allen Key		4mm Allen Key		4mm Allen Key		4mm Allen Key		
Dimensions & Size	H01		H01		H02		H02		

(to convert to inches multiply by 0.03937)



Weight	3.3 kg	3.4 kg	6.9 kg	7.0 kg
---------------	--------	--------	--------	--------

Suitable Accessories

AUXILIARY SWITCHES



Cat. No.	1.V160KU	2.V160KU
No. if Contacts	1n.o./1n.c.	2n.o./2n.c.
Electrical Rating	16 A/1/2HP/125-250V AC	

* 6 and 8 pole versions along with changeover version available upon request.

UL98 Motor Disconnect Switch - Polycarbonate Enclosure

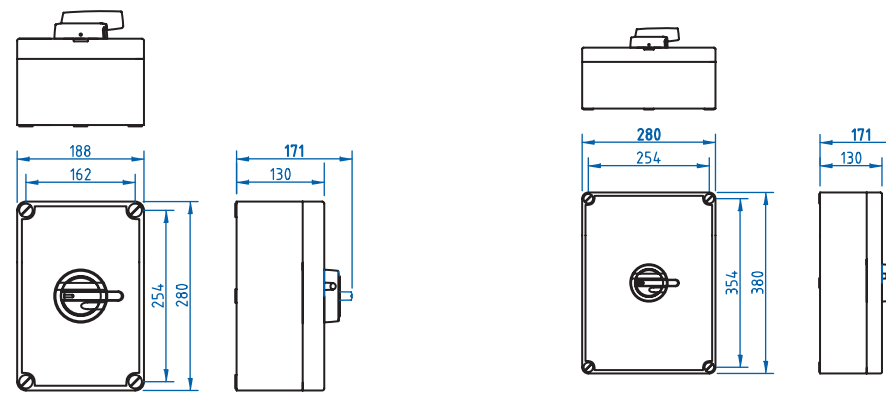
- Can be used locally at the motor
- UL Type 4X
- IEC IP65 Protection Level
- UV resistant
- Resistant to many chemicals
- Lockable - Defeatable Handle



UL US CE All Models are lockable with up to 3 padlocks.

Catalog Number	KEM360UL98 Y/R KEM360UL98		KEM460UL98 Y/R KEM460UL98		KEM3100UL98 Y/R KEM3100UL98		KEM4100UL98 Y/R KEM4100UL98	
No. of Poles*	3		4		3		4	
General Purpose Current	60 A		60 A		100 A		100 A	
Maximum Voltage	600V AC		600V AC		600V AC		600V AC	
Horsepower Rating /HP	1 Phase	3 Phase	1 Phase	3 Phase	1 Phase	3 Phase	1 Phase	3 Phase
120V AC	3	-	3	-	5	-	5	-
240V AC	7.5	20	7.5	20	10	25	10	25
480V AC	-	40	-	40	-	50	-	50
600V AC	-	60	-	60	-	75	-	75
Short Circuit Withstand Rating at 600 V	50 kA/60 A Class J		50 kA/60 A Class J		50 kA/100 A Class J		50 kA/100 A Class J	
Terminal Size Acceptability (Cu Conductors only, 75°C)	8-1/0 AWG		8-1/0 AWG		8-1/0 AWG		8-1/0 AWG	
Terminal Torque	65lb. in. (6.0 Nm)		65lb. in. (6.0 Nm)		65lb. in. (6.0 Nm)		65lb. in. (6.0 Nm)	
Screw Head Type	4mm Allen Key		4mm Allen Key		4mm Allen Key		4mm Allen Key	
Dimensions & Size	MF10	MF10	MF10	MF10	MF11UL	MF11UL	MF11UL	MF11UL

(to convert to inches multiply by 0.03937)



Weight	2.4 kg	3.3 kg	2.5 kg	3.4 kg
--------	--------	--------	--------	--------

Suitable Accessories



Cat. No.	1.V160KU	2.V160KU
No. of Contacts	1n.o./1n.c.	2n.o./2n.c.
Electrical Rating	16 A/1/2HP/125-250V AC	

* 6 and 8 pole versions along with changeover version available upon request.



We have a full line of High Quality Disconnect Switches & Accessories.

FEATURES AND BENEFITS:

- One of the smallest 80 A switches in the industry
- Advanced switch technology (use of silver contacts ensures safe and durable operation)
- Across the line, motor starting - up to 75 hp/600 V
- General Use Rating - 16 A to 150 A/600 V
- Available as rotary switches for extended or direct handle applications
- Toggle switches
- Non-fused switch
- Short Circuit Withstand Rating of 10 kA with back-up fuse
- DIN Rail and panel mount available
- Comprehensive range of accessories
- Snap on auxiliary contacts
- Enclosed switches have UL Listed Type 4 and/or 4X rating; watertight
- Operating temperature is -20°C to +40°C



UL60947-4-1A (Formerly UL508) Listed Manual Motor Controllers

with Disconnecting Means



AC Motor Across-The-Line
AC General Use

Altech Corp.®



Quality Endorsed Company



UL98 Disconnect Switches

Altech Corporation
35 Royal Road
Flemington, NJ 08822-6000
P 908.806.9400 • F 908.806.9490
www.altechcorp.com



Altech Corp.® 444UL98-2000
Printed June 2019

UL98 Motor Disconnect Switch - Polycarbonate Enclosure

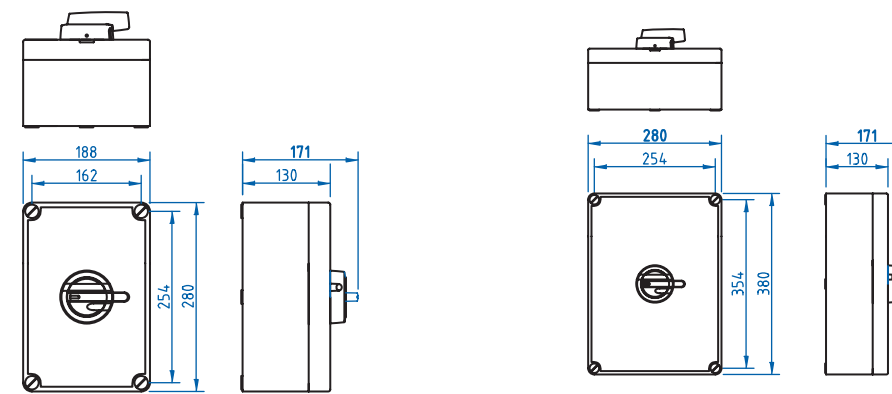
- Can be used locally at the motor
- UL Type 4X
- IEC IP65 Protection Level
- UV resistant
- Resistant to many chemicals
- Lockable - Defeatable Handle



UL US CE All Models are lockable with up to 3 padlocks.

Catalog Number	KEM360UL98 Y/R KEM360UL98		KEM460UL98 Y/R KEM460UL98		KEM3100UL98 Y/R KEM3100UL98		KEM4100UL98 Y/R KEM4100UL98	
No. of Poles*	3		4		3		4	
General Purpose Current	60 A		60 A		100 A		100 A	
Maximum Voltage	600V AC		600V AC		600V AC		600V AC	
Horsepower Rating /HP	1 Phase	3 Phase	1 Phase	3 Phase	1 Phase	3 Phase	1 Phase	3 Phase
120V AC	3	-	3	-	5	-	5	-
240V AC	7.5	20	7.5	20	10	25	10	25
480V AC	-	40	-	40	-	50	-	50
600V AC	-	60	-	60	-	75	-	75
Short Circuit Withstand Rating at 600 V	50 kA/60 A Class J		50 kA/60 A Class J		50 kA/100 A Class J		50 kA/100 A Class J	
Terminal Size Acceptability (Cu Conductors only, 75°C)	8-1/0 AWG		8-1/0 AWG		8-1/0 AWG		8-1/0 AWG	
Terminal Torque	65lb. in. (6.0 Nm)		65lb. in. (6.0 Nm)		65lb. in. (6.0 Nm)		65lb. in. (6.0 Nm)	
Screw Head Type	4mm Allen Key		4mm Allen Key		4mm Allen Key		4mm Allen Key	
Dimensions & Size	MF10		MF10		MF11UL		MF11UL	

(to convert to inches multiply by 0.03937)



Weight	2.4 kg	3.3 kg	2.5 kg	3.4 kg
--------	--------	--------	--------	--------

Suitable Accessories



Cat. No.	1.V160KU	2.V160KU
No. of Contacts	1n.o./1n.c.	2n.o./2n.c.
Electrical Rating	16 A/1/2HP/125-250V AC	

* 6 and 8 pole versions along with changeover version available upon request.



We have a full line of High Quality Disconnect Switches & Accessories.

FEATURES AND BENEFITS:

- One of the smallest 80 A switches in the industry
- Advanced switch technology (use of silver contacts ensures safe and durable operation)
- Across the line, motor starting - up to 75 hp/600 V
- General Use Rating - 16 A to 150 A/600 V
- Available as rotary switches for extended or direct handle applications
- Toggle switches
- Non-fused switch
- Short Circuit Withstand Rating of 10 kA with back-up fuse
- DIN Rail and panel mount available
- Comprehensive range of accessories
- Snap on auxiliary contacts
- Enclosed switches have UL Listed Type 4 and/or 4X rating; watertight
- Operating temperature is -20°C to +40°C



UL60947-4-1A (Formerly UL508) Listed Manual Motor Controllers

with Disconnecting Means



AC Motor Across-The-Line
AC General Use

Altech Corp.®



Quality Endorsed Company



UL98 Disconnect Switches

Altech Corporation
35 Royal Road
Flemington, NJ 08822-6000
P 908.806.9400 • F 908.806.9490
www.altechcorp.com



Altech Corp.® 444UL98-2000
Printed June 2019

X-ON Electronics

Largest Supplier of Electrical and Electronic Components

Click to view similar products for [Control Switches](#) category:

Click to view products by [Altech](#) manufacturer:

Other Similar products are found below :

[80887-99](#) [80932-99](#) [86855-00](#) [88814-30](#) [1424293-1](#) [HW4S-2TC10](#) [89721-12](#) [89804-08](#) [SSN](#) [RL01801](#) [ASD2L20N-LVO](#) [50051857-17](#)
[50099156-001-05](#) [51.155R-15200](#) [50058920-26](#) [CP-FA51](#) [CP-FA49](#) [ACCU-SC/L-3000](#) [PP9M](#) [PP87G](#) [PP86GA](#) [PP74G](#) [PP73M](#) [PP73G](#)
[PP71G](#) [PP70G](#) [PP6G](#) [PP62G](#) [PP58BL](#) [PP56G](#) [PP86GB](#) [PP77GA](#) [PP76G](#) [PP4M](#) [PP47G](#) [PP46G](#) [PP41M](#) [PP40G](#) [PP32G](#) [RD-20](#) [PP23M](#)
[PP14M](#) [PP12G](#) [RD-40](#) [PORTAPRO](#) [POM-2708](#) [PNB-2005](#) [3057.0012](#) [CV-075](#) [CV-140SB](#)