

FIXED PRINTED CIRCUIT

Metric Pin Spacing^a



Tubular Screw Clamp

For use when standard size printed circuit terminal blocks are too large for available space or where a very small circuit board is utilized.

Our new subminiature design offers a low profile, an extremely small "footprint" and the highest circuit density available.

- Multipole, Single Mold Design
- Up to 7 Circuits Per Inch
- Pin Spacing is Maintained When Terminal Blocks are Placed End-to-End
- With Wire Protector
- Housing Material: Polyamide 6.6
- Standard Color: Gray

^aBlocks with US (Inch) pin spacing begin on page 110.

Ratings
IEC/VDE
 (File No. E101811)
 (File No. LR68503)

Extremely small "footprint" and the highest circuit density available



AK550
Front Wire Entry

Pin Spacing 3.5mm (.138)
 Stripping Length 5.5mm (.217)
 Screw Hole Diameter 2.5mm (.098)

Extremely small "footprint" and the highest circuit density available



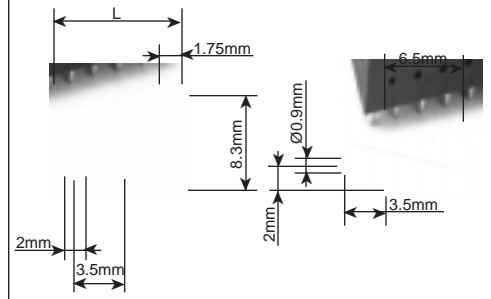
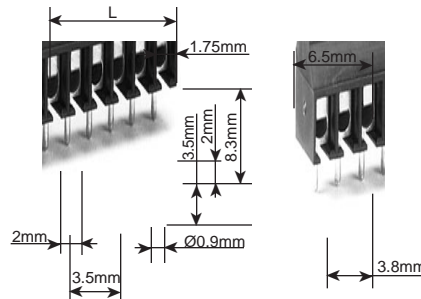
AK555
Top Wire Entry

Pin Spacing 3.5mm (.138)
 Stripping Length 5.5mm (.217)
 Screw Hole Diameter 2.5mm (.098)

Wire Range	Current	Voltage
0.25-1.0mm ²	6A	125V
28-16 AWG	6A	300V
28-16 AWG	6A	150V

Wire Range	Current	Voltage
0.25-1.0mm ²	6A	125V
28-16 AWG	6A	300V
28-16 AWG	6A	150V

Ordering Information	No. of Poles	AK550				AK555			
		Type	Cat. No.	Length L mm (in.)	Std. Pk.	Type	Cat. No.	Length L mm (in.)	Std. Pk.
Terminal Block, mm Pin Spacing	2	AK550/2wp	29.002	7.00 (.28)	100	AK555/2wp	29.102	7.00 (.28)	100
	3	AK550/3wp	29.003	10.50 (.41)	100	AK555/3wp	29.103	10.50 (.41)	100
	4	AK550/4wp	29.004	14.00 (.55)	50	AK555/4wp	29.104	14.00 (.55)	50
	5	AK550/5wp	29.005	17.50 (.69)	50	AK555/5wp	29.105	17.50 (.69)	50
	6	AK550/6wp	29.006	21.00 (.83)	50	AK555/6wp	29.106	21.00 (.83)	50
	7	AK550/7wp	29.007	24.50 (.97)	30	AK555/7wp	29.107	24.50 (.97)	30
	8	AK550/8wp	29.008	28.00 (1.10)	30	AK555/8wp	29.108	28.00 (1.10)	30
9	AK550/9wp	29.009	31.50 (1.24)	30	AK555/9wp	29.109	31.50 (1.24)	30	
10	AK550/10wp	29.010	35.00 (1.38)	30	AK555/10wp	29.110	35.00 (1.38)	30	
11	AK550/11wp	29.011	38.50 (1.52)	20	AK555/11wp	29.111	38.50 (1.52)	20	
12	AK550/12wp	29.012	42.00 (1.65)	20	AK555/12wp	29.112	42.00 (1.65)	20	
13	AK550/13wp	29.013	45.50 (1.79)	20	AK555/13wp	29.113	45.50 (1.79)	20	
14	AK550/14wp	29.014	49.00 (1.93)	20	AK555/14wp	29.114	49.00 (1.93)	20	
15	AK550/15wp	29.015	52.50 (2.07)	20	AK555/15wp	29.115	52.50 (2.07)	20	
16	AK550/16wp	29.016	56.00 (2.21)	15	AK555/16wp	29.116	56.00 (2.21)	15	



mm		in.		Dimensions	
0.90	0.035	3.80	0.150		
1.75	0.069	6.50	0.256		
2.00	0.079	8.30	0.327		
3.50	0.138				

FIXED PRINTED CIRCUIT Metric Pin Spacing^a Tubular Screw Clamp

For wire-to-board connections in applications with strict budgets and where infrequent wire terminations are expected.

Our "mini" design offers a low profile and a small "footprint".

The popular AK500 is now offered in a single mold design as Type AK502. Please contact Altech for ordering information.

- Multipole, Modular Design
- Wire Protector Standard
- Housing Material: Polyamide 6.6
- Standard Color: Gray

^aBlocks with US (Inch) pin spacing begin on page 110.



AK500
Front Wire Entry

Pin Spacing 5mm (.197)
Stripping Length 6mm (.236)
Screw Hole Diameter 3mm (.118)



AK505
Top Wire Entry

Pin Spacing 5mm (.197)
Stripping Length 5mm (.197)
Screw Hole Diameter 3mm (.118)

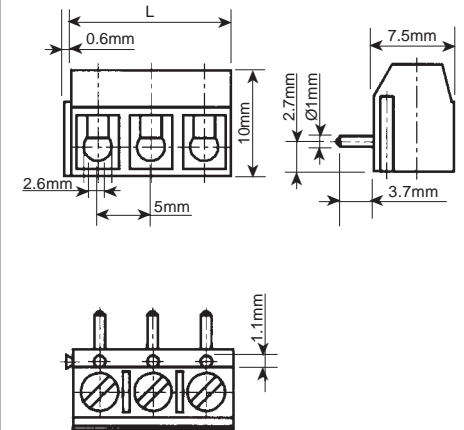
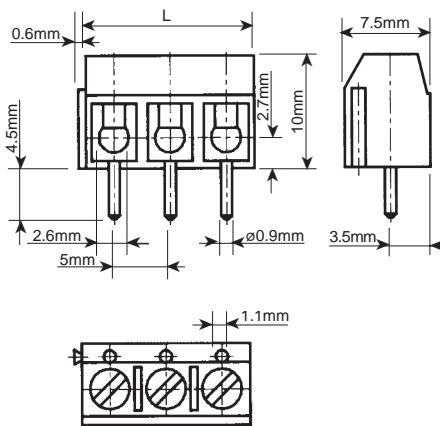
Ratings
IEC/VDE
(File No. E101811)
UL
(File No. LR68503)

Wire Range	Current	Voltage
0.5-1.5mm ²	16A	250V
22-14 AWG	15A	300V
22-14 AWG	15A	300V

Wire Range	Current	Voltage
0.5-1.5mm ²	16A	250V
22-14 AWG	15A	300V
22-14 AWG	15A	300V

Ordering Information	No. of Poles	AK500				AK505			
		Type	Cat. No.	Length L mm (in.)	Std. Pk.	Type	Cat. No.	Length L mm (in.)	Std. Pk.
Terminal Block, mm Pin Spacing	2	AK500/2wp	30.702	10.00 (.39)	100	AK505/2wp	30.752	10.00 (.39)	100
	3	AK500/3wp	30.703	15.00 (.59)	100	AK505/3wp	30.753	15.00 (.59)	100
	4	AK500/4wp	30.704	20.00 (.79)	50	AK505/4wp	30.754	20.00 (.79)	50
	5	AK500/5wp	30.705	25.00 (.99)	50	AK505/5wp	30.755	25.00 (.99)	50
	6	AK500/6wp	30.706	30.00 (1.18)	50	AK505/6wp	30.756	30.00 (1.18)	50
	7	AK500/7wp	30.707	35.00 (1.38)	30	AK505/7wp	30.757	35.00 (1.38)	30
	8	AK500/8wp	30.708	40.00 (1.58)	30	AK505/8wp	30.758	40.00 (1.58)	30
9	AK500/9wp	30.709	45.00 (1.77)	30	AK505/9wp	30.759	45.00 (1.77)	30	
10	AK500/10wp	30.710	50.00 (1.97)	30	AK505/10wp	30.760	50.00 (1.97)	30	
11	AK500/11wp	30.711	55.00 (2.17)	20	AK505/11wp	30.761	55.00 (2.17)	20	
12	AK500/12wp	30.712	60.00 (2.36)	20	AK505/12wp	30.762	60.00 (2.36)	20	
14	AK500/13wp	30.713	65.00 (2.56)	20	AK505/13wp	30.763	65.00 (2.56)	20	
15	AK500/14wp	30.714	70.00 (2.76)	20	AK505/14wp	30.764	70.00 (2.76)	20	
16	AK500/15wp	30.715	75.00 (2.95)	20	AK505/15wp	30.765	75.00 (2.95)	20	
16	AK500/16wp	30.716	80.00 (3.15)	15	AK505/16wp	30.766	80.00 (3.15)	15	
17	AK500/17wp	30.717	85.00 (3.35)	15	AK505/17wp	30.767	85.00 (3.35)	15	
18	AK500/18wp	30.718	90.55 (3.54)	15	AK505/18wp	30.768	90.00 (3.54)	15	
19	AK500/19wp	30.719	95.00 (3.74)	15	AK505/19wp	30.769	95.00 (3.74)	15	
20	AK500/20wp	30.720	100.00 (3.94)	15	AK505/20wp	30.770	100.00 (3.94)	15	
21	AK500/21wp	30.721	105.00 (4.13)	10	AK505/21wp	30.771	105.00 (4.13)	10	
22	AK500/22wp	30.722	110.00 (4.33)	10	AK505/22wp	30.772	110.00 (4.33)	10	
23	AK500/23wp	30.723	115.00 (4.53)	10	AK505/23wp	30.773	115.00 (4.53)	10	
24	AK500/24wp	30.724	120.00 (4.72)	10	AK505/24wp	30.774	120.00 (4.72)	10	

Dimensions			
mm	in.	mm	in.
0.60	0.024	3.70	0.146
0.90	0.035	4.50	0.177
1.00	0.039	5.00	0.197
1.10	0.043	7.50	0.295
2.60	0.102	10.00	0.394
2.70	0.106	15.00	0.591
3.50	0.138		



FIXED PRINTED CIRCUIT Metric Pin Spacing^a Tubular Screw Clamp

For wire-to-board connections in applications with strict budgets and where infrequent wire terminations are expected.

The popular AK100 is now offered in a single mold design as Type AK102. Please contact Altech for ordering information.

- Multipole, Modular Design
- Wire Protector Standard
- Housing Material: Polyamide 6.6
- Standard Color: Gray

^aBlocks with US (Inch) pin spacing begin on page 110.



AK100
Front Wire Entry

Pin Spacing 5mm (.197)
Stripping Length 6mm (.236)
Screw Hole Diameter 4mm (.158)



AK105
Top Wire Entry

Pin Spacing 5mm (.197)
Stripping Length 5mm (.197)
Screw Hole Diameter 3mm (.118)

Ratings

IEC/VDE

(File No. E101811)

(File No. LR68503)

Wire Range

0.5-2.5mm²

22-14 AWG

22-14 AWG

Current

16A

15A

15A

Voltage

250V

300V

300V

Wire Range

0.5-2.5mm²

22-14 AWG

22-14 AWG

Current

16A

15A

15A

Voltage

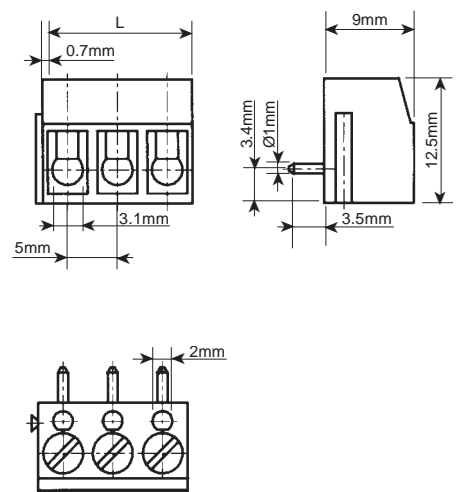
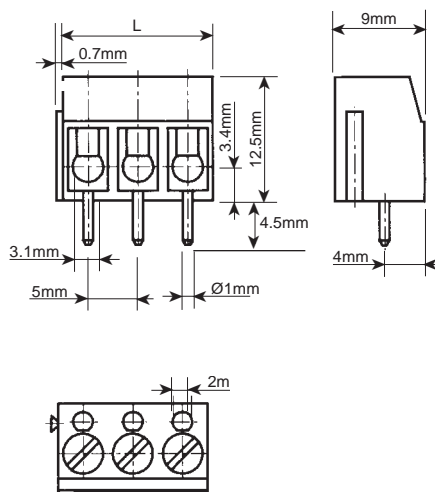
250V

300V

300V

Ordering Information		No. of Poles	Type	Cat. No.	Length L mm (in.)	Std. Pk.	Type	Cat. No.	Length L mm (in.)	Std. Pk.
Terminal Block, mm Pin Spacing		2	AK100/2wp	30.002	10.00 (.39)	100	AK105/2wp	30.052	10.00 (.39)	100
		3	AK100/3wp	30.003	15.00 (.59)	100	AK105/3wp	30.053	15.00 (.59)	100
		4	AK100/4wp	30.004	20.00 (.79)	50	AK105/4wp	30.054	20.00 (.79)	50
		5	AK100/5wp	30.005	25.00 (.99)	50	AK105/5wp	30.055	25.00 (.99)	50
		6	AK100/6wp	30.006	30.00 (1.18)	50	AK105/6wp	30.056	30.00 (1.18)	50
		7	AK100/7wp	30.007	35.00 (1.38)	30	AK105/7wp	30.057	35.00 (1.38)	30
		8	AK100/8wp	30.008	40.00 (1.58)	30	AK105/8wp	30.058	40.00 (1.58)	30
		9	AK100/9wp	30.009	45.00 (1.77)	30	AK105/9wp	30.059	45.00 (1.77)	30
		10	AK100/10wp	30.010	50.00 (1.97)	30	AK105/10wp	30.060	50.00 (1.97)	30
		11	AK100/11wp	30.011	55.00 (2.17)	20	AK105/11wp	30.061	55.00 (2.17)	20
		12	AK100/12wp	30.012	60.00 (2.36)	20	AK105/12wp	30.062	60.00 (2.36)	20
		13	AK100/13wp	30.013	65.00 (2.56)	20	AK105/13wp	30.063	65.00 (2.56)	20
		14	AK100/14wp	30.014	70.00 (2.76)	20	AK105/14wp	30.064	70.00 (2.76)	20
		15	AK100/15wp	30.015	75.00 (2.95)	20	AK105/15wp	30.065	75.00 (2.95)	20
		16	AK100/16wp	30.016	80.00 (3.15)	15	AK105/16wp	30.066	80.00 (3.15)	15
		17	AK100/17wp	30.017	85.00 (3.35)	15	AK105/17wp	30.067	85.00 (3.35)	15
		18	AK100/18wp	30.018	90.00 (3.54)	15	AK105/18wp	30.068	90.00 (3.54)	15
		19	AK100/19wp	30.019	95.00 (3.74)	15	AK105/19wp	30.069	95.00 (3.74)	15
		20	AK100/20wp	30.020	100.00 (3.94)	15	AK105/20wp	30.070	100.00 (3.94)	15
		21	AK100/21wp	30.021	105.00 (4.13)	10	AK105/21wp	30.071	105.00 (4.13)	10
		22	AK100/22wp	30.022	110.00 (4.33)	10	AK105/22wp	30.072	110.00 (4.33)	10
		23	AK100/23wp	30.023	115.00 (4.53)	10	AK105/23wp	30.073	115.00 (4.53)	10
		24	AK100/24wp	30.024	120.00 (4.72)	10	AK105/24wp	30.074	120.00 (4.72)	10

Dimensions			
mm	in.	mm	in.
0.60	0.024	4.00	0.157
0.70	0.028	4.50	0.177
0.90	0.035	5.00	0.197
1.00	0.039	7.50	0.295
1.10	0.043	9.00	0.354
2.00	0.079	10.00	0.394
2.60	0.102	12.50	0.492
2.70	0.106	15.00	0.591
3.10	0.122	22.50	0.886
3.40	0.134	25.00	0.984
3.50	0.138		





AK110
Front Wire Entry

Pin Spacing 7.5mm (.295)
Stripping Length 6mm (.236)
Screw Hole Diameter 3.5mm (.138)

Wire Range	Current	Voltage	Type	Cat. No.	Length L mm (in.)	Std. Pk.
0.5-2.5mm ²	16A	500V	AK110/2wp	30.102	15.00 (.59)	100
22-14 AWG	15A	300V	AK110/3wp	30.103	22.50 (.89)	100
22-14 AWG	15A	300V	AK110/4wp	30.104	30.00 (1.18)	50
			AK110/5wp	30.105	37.50 (1.48)	50
			AK110/6wp	30.106	45.00 (1.77)	50
			AK110/7wp	30.107	52.50 (2.08)	30
			AK110/8wp	30.108	60.00 (2.36)	30
			AK110/9wp	30.109	67.50 (2.66)	30
			AK110/10wp	30.110	75.00 (2.95)	30
			AK110/11wp	30.111	82.50 (3.25)	20
			AK110/12wp	30.112	90.00 (3.54)	20
			AK110/13wp	30.113	97.50 (3.84)	20
			AK110/14wp	30.114	105.00 (4.13)	20
			AK110/15wp	30.115	112.50 (4.43)	20
			AK110/16wp	30.116	120.00 (4.73)	15
			AK110/17wp	30.117	127.50 (5.02)	15
			AK110/18wp	30.118	135.00 (5.32)	15
			AK110/19wp	30.119	142.50 (5.61)	15
			AK110/20wp	30.120	150.00 (5.91)	15
			AK110/21wp	30.121	157.50 (6.20)	10
			AK110/22wp	30.122	165.00 (6.50)	10
			AK110/23wp	30.123	172.50 (6.79)	10
			AK110/24wp	30.124	180.00 (7.09)	10



AK115
Top Wire Entry

Pin Spacing 7.5mm (.295)
Stripping Length 5mm (.197)
Screw Hole Diameter 3.5mm (.138)

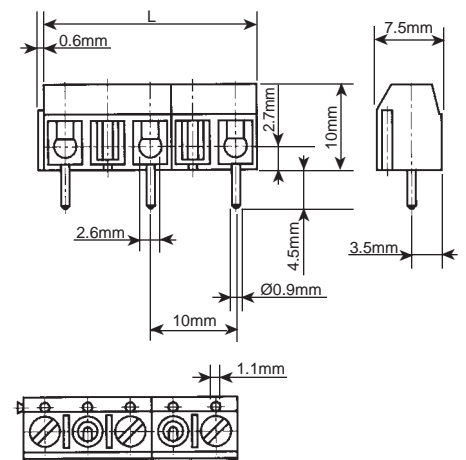
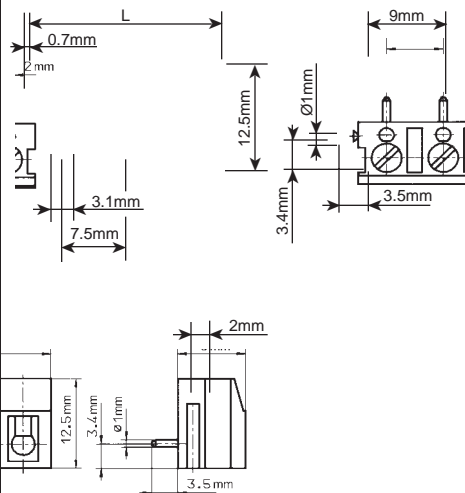
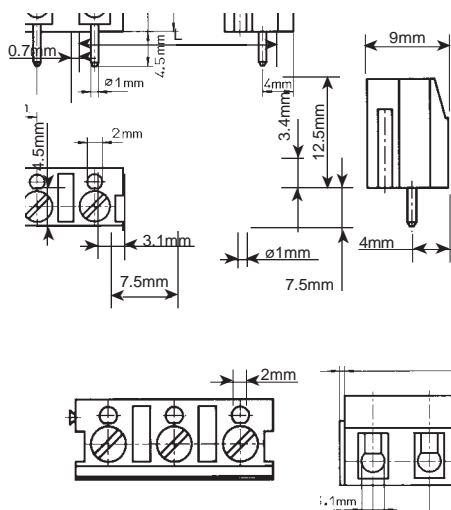
Wire Range	Current	Voltage	Type	Cat. No.	Length L mm (in.)	Std. Pk.
0.5-2.5mm ²	16A	500V	AK115/2wp	30.152	15.00 (.59)	100
22-14 AWG	15A	300V	AK115/3wp	30.153	22.50 (.89)	100
22-14 AWG	15A	300V	AK115/4wp	30.154	30.00 (1.18)	50
			AK115/5wp	30.155	37.50 (1.48)	50
			AK115/6wp	30.156	45.00 (1.77)	50
			AK115/7wp	30.157	52.50 (2.08)	30
			AK115/8wp	30.158	60.00 (2.36)	30
			AK115/9wp	30.159	67.50 (2.66)	30
			AK115/10wp	30.160	75.00 (2.95)	30
			AK115/11wp	30.161	82.50 (3.25)	20
			AK115/12wp	30.162	90.00 (3.54)	20
			AK115/13wp	30.163	97.50 (3.84)	20
			AK115/14wp	30.164	105.00 (4.13)	20
			AK115/15wp	30.165	112.50 (4.43)	20
			AK115/16wp	30.166	120.00 (4.73)	15
			AK115/17wp	30.167	127.50 (5.02)	15
			AK115/18wp	30.168	135.00 (5.32)	15
			AK115/19wp	30.169	142.50 (5.61)	15
			AK115/20wp	30.170	150.00 (5.91)	15
			AK115/21wp	30.171	157.50 (6.20)	10
			AK115/22wp	30.172	165.00 (6.50)	10
			AK115/23wp	30.173	172.50 (6.79)	10
			AK115/24wp	30.174	180.00 (7.09)	10



AK600
Front Wire Entry

Pin Spacing 10mm (.394)
Stripping Length 6mm (.236)
Screw Hole Diameter 3mm (.118)

Wire Range	Current	Voltage	Type	Cat. No.	Length L mm (in.)	Std. Pk.
0.5-1.5mm ²	16A	500V	AK600/2wp	34.402	15.00 (.59)	100
22-14 AWG	15A	300V	AK600/3wp	34.403	25.00 (.99)	50
22-14 AWG	15A	300V	AK600/4wp	34.404	35.00 (1.38)	30
			AK600/5wp	34.405	45.00 (1.77)	30
			AK600/6wp	34.406	55.00 (2.17)	20
			AK600/7wp	34.407	65.00 (2.56)	20
			AK600/8wp	34.408	75.00 (2.95)	20
			AK600/9wp	34.409	85.00 (3.35)	15
			AK600/10wp	34.410	95.00 (3.74)	15
			AK600/11wp	34.411	105.00 (4.13)	10
			AK600/12wp	34.412	115.00 (4.53)	10



FIXED PRINTED CIRCUIT

Metric Pin Spacing^a

Screw-Cage Clamp

For wire-to-board connections in industrial applications and where frequent wire terminations occur.

- Multipole, Modular Design
- Housing Material: Polyamide 6.6
- Standard Color: AK300 is Gray, all others are green

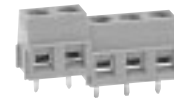


AK300

45° Wire Entry

Pin Spacing 5mm (.197)
Stripping Length 7mm (.276)
Screw Hole Diameter 3.5mm (.138)

Minimum clearance, small footprint conserves valuable PCB real estate



AK(Z)250

Front Wire Entry

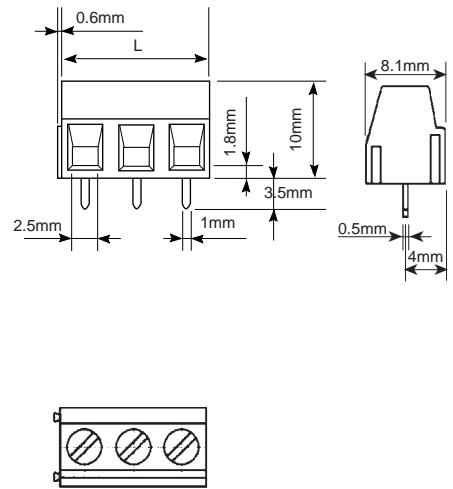
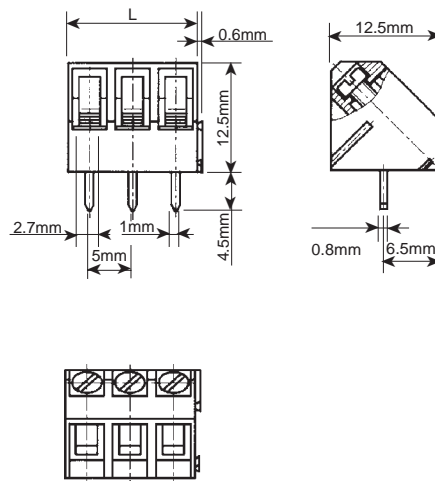
Pin Spacing 5.08mm (.200)^c
Stripping Length 7mm (.276)
Screw Hole Diameter 3.5mm (.138)

^aBlocks with US (Inch) pin spacing begin on page 110.

Ratings		Wire Range	Current	Voltage	Wire Range	Current	Voltage
IEC/VDE		0.5-2.5mm ²	16A	250V	0.5-1.5mm ²	16A	250V
UL (File No. E101811)		22-12 AWG	15A	300V	28-14 AWG	15A	300V
CSA (File No. LR68503)		22-12 AWG	15A	300V	28-14 AWG	15A	300V

Ordering Information		No. of Poles	Type	Cat. No.	Length L mm (in.)	Std. Pk.	Type	Cat. No.	Length L mm (in.)	Std. Pk.
Terminal Block, mm Pin Spacing		2	AK300/2	30.602	10.00 (.39)	100	AK(Z)250/2	32.402	10.16 (.40)	100
		3	AK300/3	30.603	15.00 (.59)	100	AK(Z)250/3	32.403	15.24 (.60)	100
		4	AK300/4	30.604	20.00 (.79)	50	AK(Z)250/4	32.404	20.32 (.80)	50
		5	AK300/5	30.605	25.00 (.99)	50	AK(Z)250/5	32.405	25.40 (1.00)	50
		6	AK300/6	30.606	30.00 (1.18)	50	AK(Z)250/6	32.406	30.48 (1.20)	50
		7	AK300/7	30.607	35.00 (1.38)	30				
		8	AK300/8	30.608	40.00 (1.58)	30				
		9	AK300/9	30.609	45.00 (1.77)	30				
		10	AK300/10	30.610	50.00 (1.97)	30				
		11	AK300/11	30.611	55.00 (2.17)	20				
		12	AK300/12	30.612	60.00 (2.36)	20				
		13	AK300/13	30.613	65.00 (2.56)	20				
		14	AK300/14	30.614	70.00 (2.76)	20				
		15	AK300/15	30.615	75.00 (2.95)	20				
		16	AK300/16	30.616	80.00 (3.15)	15				
		17	AK300/17	30.617	85.00 (3.35)	15				
		18	AK300/18	30.618	90.00 (3.54)	15				
		19	AK300/19	30.619	95.00 (3.74)	15				
		20	AK300/20	30.620	100.00 (3.94)	15				
		21	AK300/21	30.621	105.00 (4.13)	10				
		22	AK300/22	30.622	110.00 (4.33)	10				
		23	AK300/23	30.623	115.00 (4.53)	10				
		24	AK300/24	30.624	120.00 (4.72)	10				

Dimensions			
mm	in.	mm	in.
0.50	0.020	5.00	0.197
0.60	0.024	5.08	0.200
0.80	0.031	6.50	0.256
0.90	0.035	8.10	0.319
1.00	0.039	9.00	0.354
1.80	0.071	10.00	0.394
2.50	0.098	10.50	0.413
2.70	0.106	12.50	0.492
3.00	0.118	13.50	0.531
3.50	0.138	15.00	0.591
4.00	0.157	15.24	0.600
4.40	0.173	19.00	0.748
4.50	0.177		



^c Appropriate for use in metric pin spacings up to the number of poles shown.



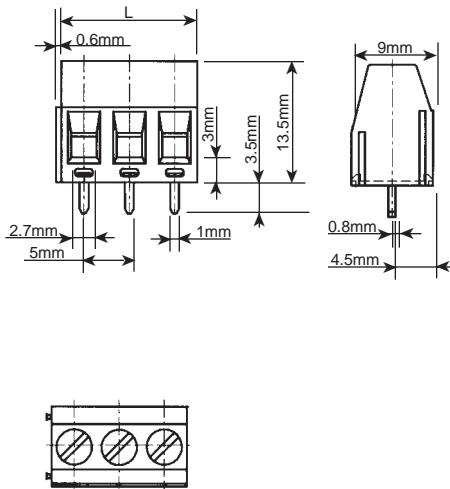
AK350

Front Wire Entry

Pin Spacing 5mm (.197)
Stripping Length 6mm (.236)
Screw Hole Diameter 4.0mm (.158)

Wire Range	Current	Voltage
0.5-2.5mm ²	16A	250V
22-12 AWG	16A	300V
28-14 AWG	16A	300V

Type	Cat. No.	Length L mm (in.)	Std. Pk.
AK350/2	32.002	10.00 (.39)	100
AK350/3	32.003	15.00 (.59)	100
AK350/4	32.004	20.00 (.79)	50
AK350/5	32.005	25.00 (.99)	50
AK350/6	32.006	30.00 (1.18)	50
AK350/7	32.007	35.00 (1.38)	30
AK350/8	32.008	40.00 (1.58)	30
AK350/9	32.009	45.00 (1.77)	30
AK350/10	32.010	50.00 (1.97)	30
AK350/11	32.011	55.00 (2.17)	20
AK350/12	32.012	60.00 (2.36)	20
AK350/13	32.013	65.00 (2.56)	20
AK350/14	32.014	70.00 (2.76)	20
AK350/15	32.015	75.00 (2.95)	20
AK350/16	32.016	80.00 (3.15)	15
AK350/17	32.017	85.00 (3.35)	15
AK350/18	32.018	90.00 (3.54)	15
AK350/19	32.019	95.00 (3.74)	15
AK350/20	32.020	100.00 (3.94)	15
AK350/21	32.021	105.00 (4.13)	10
AK350/22	32.022	110.00 (4.33)	10
AK350/23	32.023	115.00 (4.53)	10
AK350/24	32.024	120.00 (4.72)	10



Open Bottom Design

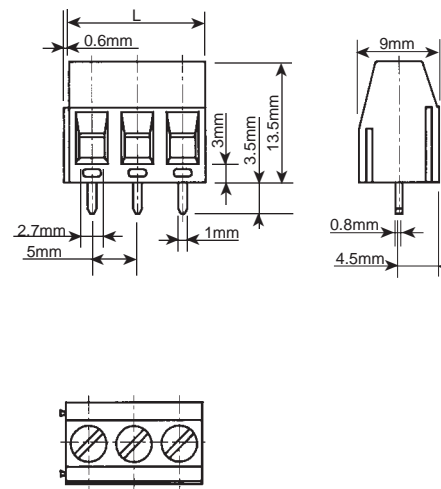
AK351

Front Wire Entry

Pin Spacing 5mm (.197)
Stripping Length 6mm (.236)
Screw Hole Diameter 4.0mm (.158)

Wire Range	Current	Voltage
0.5-2.5mm ²	16A	250V
22-12 AWG	16A	300V
28-14 AWG	16A	300V

Type	Cat. No.	Length L mm (in.)	Std. Pk.
AK351/2	33.002	10.00 (.39)	100
AK351/3	33.003	15.00 (.59)	100
AK351/4	33.004	20.00 (.79)	50
AK351/5	33.005	25.00 (.99)	50
AK351/6	33.006	30.00 (1.18)	50
AK351/7	33.007	35.00 (1.38)	30
AK351/8	33.008	40.00 (1.58)	30
AK351/9	33.009	45.00 (1.77)	30
AK351/10	33.010	50.00 (1.97)	30
AK351/11	33.011	55.00 (2.17)	20
AK351/12	33.012	60.00 (2.36)	20
AK351/13	33.013	65.00 (2.56)	20
AK351/14	33.014	70.00 (2.76)	20
AK351/15	33.015	75.00 (2.95)	20
AK351/16	33.016	80.00 (3.15)	15
AK351/17	33.017	85.00 (3.35)	15
AK351/18	33.018	90.00 (3.54)	15
AK351/19	33.019	95.00 (3.74)	15
AK351/20	33.020	100.00 (3.94)	15
AK351/21	33.021	105.00 (4.13)	10
AK351/22	33.022	110.00 (4.33)	10
AK351/23	33.023	115.00 (4.53)	10
AK351/24	33.024	120.00 (4.72)	10



Test probe openings on back for access to pins



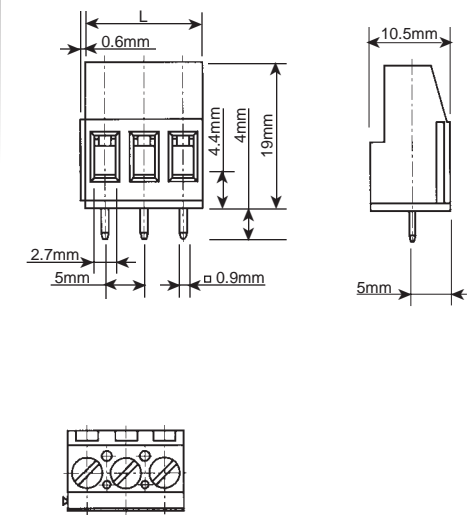
AK700

Front Wire Entry

Pin Spacing 5mm (.197)
Stripping Length 8mm (.315)
Screw Hole Diameter 3.5mm (.138)

Wire Range	Current	Voltage
0.5-4mm ²	16A	250V
22-12 AWG	15A	300V
22-12 AWG	15A	300V

Type	Cat. No.	Length L mm (in.)	Std. Pk.
AK700/2	30.802	10.00 (.39)	100
AK700/3	30.803	15.00 (.59)	100
AK700/4	30.804	20.00 (.79)	50
AK700/5	30.805	25.00 (.99)	50
AK700/6	30.806	30.00 (1.18)	50
AK700/7	30.807	35.00 (1.38)	30
AK700/8	30.808	40.00 (1.58)	30
AK700/9	30.809	45.00 (1.77)	30
AK700/10	30.810	50.00 (1.97)	30
AK700/11	30.811	55.00 (2.17)	20
AK700/12	30.812	60.00 (2.36)	20
AK700/13	30.813	65.00 (2.56)	20
AK700/14	30.814	70.00 (2.76)	20
AK700/15	30.815	75.00 (2.95)	20
AK700/16	30.816	80.00 (3.15)	15
AK700/17	30.817	85.00 (3.35)	15
AK700/18	30.818	90.00 (3.54)	15
AK700/19	30.819	95.00 (3.74)	15
AK700/20	30.820	100.00 (3.94)	15
AK700/21	30.821	105.00 (4.13)	10
AK700/22	30.822	110.00 (4.33)	10
AK700/23	30.823	115.00 (4.53)	10
AK700/24	30.824	120.00 (4.72)	10



FIXED PRINTED CIRCUIT DOUBLE AND SINGLE LEVEL Metric Pin Spacing^a Screw-Cage Clamp

For wire-to-board connections in industrial applications and where frequent wire terminations occur.

Use Double Level where space requirements call for high density wiring.

- Multipole, Modular Design
- Housing Material: Polyamide 6.6
- Standard Color: Green

^aBlocks with US (Inch) pin spacing begin on page 110.



AK705
Top Wire Entry

Pin Spacing 5mm (.197)
Stripping Length 8mm (.315)
Screw Hole Diameter 3mm (.118)



AK750
Front Wire Entry

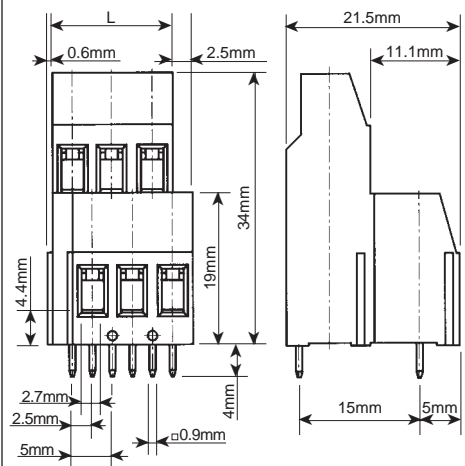
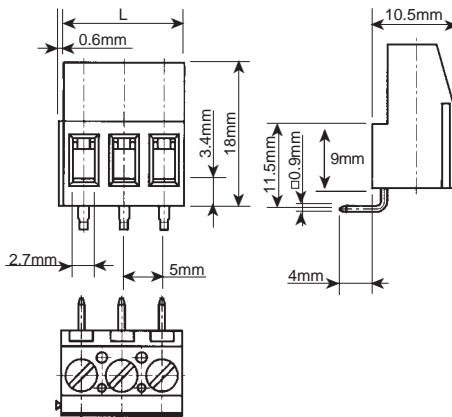
Pin Spacing 5mm (.197)
Stripping Length 8mm (.315)
Screw Hole Diameter 4mm (.158)

Ratings IEC/DE	Wire Range	Current	Voltage	Wire Range	Current	Voltage
UL (File No. E101811)	0.5-4mm ²	16A	250V	0.5-4mm ²	16A	250V
CSA (File No. LR68503)	22-12 AWG	15A	300V	22-12 AWG	15A	300V
	22-12 AWG	15A	300V	22-12 AWG	15A	300V

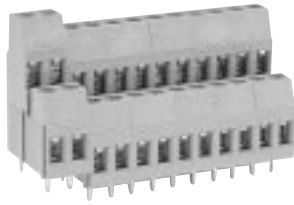
Ordering Information	No. of Poles		Type	Cat. No.	Length L mm (in.)	Std. Pk.	Type	Cat. No.	Length L mm (in.)	Std. Pk.
	AK705	AK400								
	AK750	AK710								
	AK790	AK793								
Terminal Block, mm Pin Spacing	4	2	AK705/2	35.102	10.00 (.39)	100	AK750/4	31.004	12.50 (.49)	50
	6	3	AK705/3	35.103	15.00 (.59)	100	AK750/6	31.006	17.50 (.69)	50
	8	4	AK705/4	35.104	20.00 (.79)	50	AK750/8	31.008	22.50 (.89)	25
	10	5	AK705/5	35.105	25.00 (.99)	50	AK750/10	31.010	27.50 (1.08)	25
	12	6	AK705/6	35.106	30.00 (1.18)	50	AK750/12	31.012	32.50 (1.28)	25
	14	7	AK705/7	35.107	35.00 (1.38)	30	AK750/14	31.014	37.50 (1.48)	15
	16	8	AK705/8	35.108	40.00 (1.58)	30	AK750/16	31.016	42.50 (1.67)	15
	18	9	AK705/9	35.109	45.00 (1.77)	30	AK750/18	31.018	47.50 (1.87)	15
	20	10	AK705/10	35.110	50.00 (1.97)	30	AK750/20	31.020	52.50 (2.07)	15
	22	11	AK705/11	35.111	55.00 (2.17)	20	AK750/22	31.022	57.50 (2.26)	10
	24	12	AK705/12	35.112	60.00 (2.36)	20	AK750/24	31.024	62.50 (2.46)	10
	26	13	AK705/13	35.113	65.00 (2.56)	20	AK750/26	31.026	67.50 (2.66)	10
	28	14	AK705/14	35.114	70.00 (2.76)	20	AK750/28	31.028	72.50 (2.85)	10
	30	15	AK705/15	35.115	75.00 (2.95)	20	AK750/30	31.030	77.50 (3.05)	10
	32	16	AK705/16	35.116	80.00 (3.15)	15	AK750/32	31.032	82.50 (3.25)	10
	34	17	AK705/17	35.117	85.00 (3.35)	15	AK750/34	31.034	87.50 (3.45)	10
	36	18	AK705/18	35.118	90.00 (3.54)	15	AK750/36	31.036	92.50 (3.64)	10
	38	19	AK705/19	35.119	95.00 (3.74)	15	AK750/38	31.038	97.50 (3.84)	10
	40	20	AK705/20	35.120	100.00 (3.94)	15	AK750/40	31.040	102.50 (4.03)	5
	42	21	AK705/21	35.121	105.00 (4.13)	10	AK750/42	31.042	107.50 (4.23)	5
	44	22	AK705/22	35.122	110.00 (4.33)	10	AK750/44	31.044	112.50 (4.43)	5
	46	23	AK705/23	35.123	115.00 (4.53)	10	AK750/46	31.046	117.50 (4.63)	5
	48	24	AK705/24	35.124	120.00 (4.72)	10	AK750/48	31.048	122.50 (4.82)	5
	50						AK750/50	31.050	127.50 (5.02)	5
	52									

mm		in.	
0.60	0.024	10.50	0.413
0.80	0.03	10.80	0.425
0.90	0.035	11.10	0.437
1.00	0.039	11.50	0.453
2.50	0.098	12.50	0.492
2.70	0.106	15.00	0.591
3.40	0.134	18.00	0.709
4.00	0.157	19.00	0.748
4.40	0.173	21.50	0.846
4.50	0.177	21.70	0.854
5.00	0.197	22.50	0.886
5.20	0.205	25.00	0.984
6.50	0.256	31.40	1.236
7.50	0.295	34.00	1.339
9.00	0.354		
10.00	0.394		

Dimensions



No pin offset

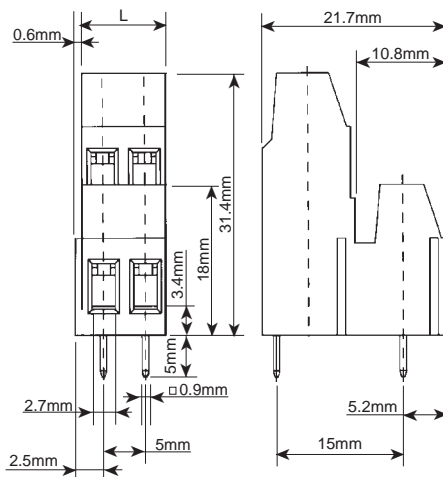


AK790 Front Wire Entry

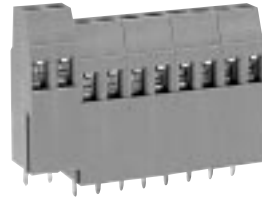
Pin Spacing 5mm (.197)
Stripping Length 8mm (.315)
Screw Hole Diameter 4mm (.157)

Wire Range	Current	Voltage
0.5-4mm ²	16A	250V
22-12 AWG ^b	15A	300V
22-12 AWG ^b	15A	300V

Type	Cat. No.	Length L mm (in.)	Std. Pk.
AK790/4	34.804	10.00 (.39)	50
AK790/8	34.808	20.00 (.79)	25
AK790/12	34.812	30.00 (1.18)	25
AK790/16	34.816	40.00 (1.58)	15
AK790/20	34.820	50.00 (1.97)	15
AK790/24	34.824	60.00 (2.36)	10
AK790/28	34.828	70.00 (2.76)	10
AK790/32	34.832	80.00 (3.15)	10
AK790/36	34.836	90.00 (3.54)	10
AK790/40	34.840	100.00 (3.94)	5
AK790/44	34.844	110.00 (4.33)	5
AK790/48	34.848	120.00 (4.72)	5
AK790/52	34.852	130.00 (5.12)	5



^bPending
Note: Missing No. of Poles available in 1997

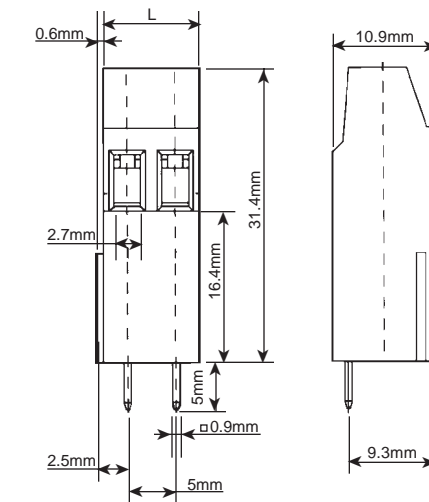


AK793 Front Wire Entry

Pin Spacing 5mm (.197)
Stripping Length 8mm (.315)
Screw Hole Diameter 4mm (.157)

Wire Range	Current	Voltage
0.5-4mm ²	16A	250V
22-12 AWG ^b	15A	300V
22-12 AWG ^b	15A	300V

Type	Cat. No.	Length L mm (in.)	Std. Pk.
AK793/2	34.902	10.00 (.39)	100
AK793/4	34.904	20.00 (.79)	50
AK793/6	34.906	30.00 (1.18)	50
AK793/8	34.908	40.00 (1.58)	30
AK793/10	34.910	50.00 (1.97)	30
AK793/12	34.912	60.00 (2.36)	20
AK793/14	34.914	70.00 (2.76)	20
AK793/16	34.916	80.00 (3.15)	15
AK793/18	34.918	90.00 (3.54)	15



^bPending
Note: Missing No. of Poles available in 1997

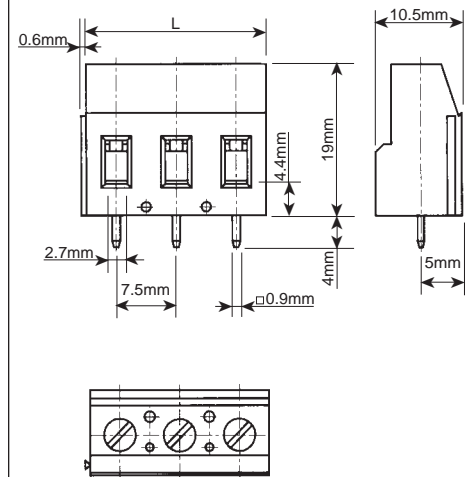


AK710 Front Wire Entry

Pin Spacing 7.5mm (.295)
Stripping Length 8mm (.315)
Screw Hole Diameter 3.5mm (.138)

Wire Range	Current	Voltage
0.5-4mm ²	16A	500V
22-12 AWG	15A	300V
22-12AWG	15A	300V

Type	Cat. No.	Length L mm (in.)	Std. Pk.
AK710/2	30.902	15.00 (.59)	100
AK710/3	30.903	22.50 (.89)	100
AK710/4	30.904	30.00 (1.18)	50
AK710/5	30.905	37.50 (1.48)	50
AK710/6	30.906	45.00 (1.77)	50
AK710/7	30.907	52.50 (2.08)	30
AK710/8	30.908	60.00 (2.36)	30
AK710/9	30.909	67.50 (2.66)	30
AK710/10	30.910	75.00 (2.95)	30
AK710/11	30.911	82.50 (3.25)	20
AK710/12	30.912	90.00 (3.54)	20
AK710/13	30.913	97.50 (3.84)	20
AK710/14	30.914	105.00 (4.13)	20
AK710/15	30.915	112.50 (4.43)	20



FIXED PRINTED CIRCUIT DOUBLE AND SINGLE LEVEL Metric Pin Spacing^a Screw-Cage Clamp

For wire-to-board connections in industrial applications and where frequent wire terminations occur.

Use Double Level where space requirements call for high density wiring.

- Multipole, Modular Design
- Housing Material: Polyamide 6.6
- Standard Color: Green



AK800
Front Wire Entry



AK850
Front Wire Entry

^aBlocks with US (Inch) pin spacing begin on page 110.

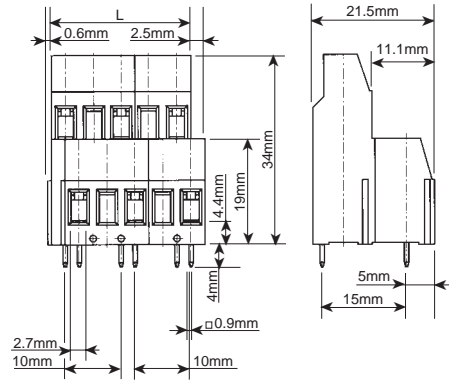
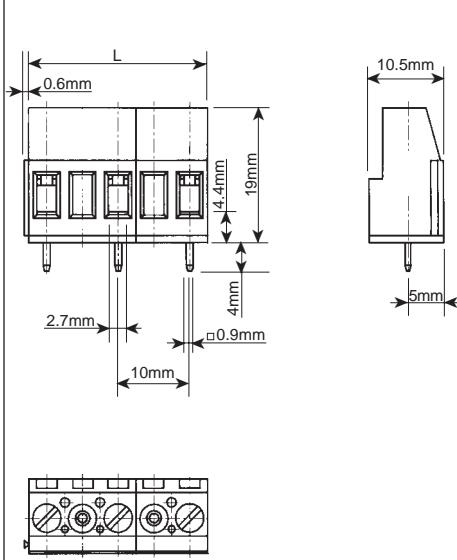
Pin Spacing 10mm (.394)
Stripping Length 8mm (.315)
Screw Hole Diameter 3.5mm (.138)

Pin Spacing 10mm (.394)
Stripping Length 8mm (.315)
Screw Hole Diameter 4mm (.158)

Ratings		Wire Range	Current	Voltage	Wire Range	Current	Voltage
IEC/VDE		0.5-4mm ²	16A	630V	0.5-4mm ²	16A	630V
UL (File No. E101811)		22-12 AWG	15A	300V	22-12 AWG	15A	300V
CSA (File No. LR68503)		22-12 AWG	15A	300V	22-12 AWG	15A	300V

Ordering Information	No. of Poles	Type	Cat. No.	Length L	Std. Pk.	Type	Cat. No.	Length L	Std. Pk.
	AK850 AK800			mm (in.)				mm (in.)	
Terminal Block, mm Pin Spacing	4	AK800/2	39.102	15.00 (.59)	100	AK850/4	34.704	17.50 (.69)	50
	6	AK800/3	39.103	25.00 (.99)	50	AK850/6	34.706	27.50 (1.08)	25
	8	AK800/4	39.104	35.00 (1.38)	30	AK850/8	34.708	37.50 (1.48)	15
	10	AK800/5	39.105	45.00 (1.77)	30	AK850/10	34.710	47.50 (1.87)	15
	12	AK800/6	39.106	55.00 (2.17)	20	AK850/12	34.712	57.50 (2.26)	10
	14	AK800/7	39.107	65.00 (2.56)	20	AK850/14	34.714	67.50 (2.66)	10
	16	AK800/8	39.108	75.00 (2.95)	20	AK850/16	34.716	77.50 (3.05)	10
	18	AK800/9	39.109	85.00 (3.35)	15	AK850/18	34.718	87.50 (3.45)	10
	20	AK800/10	39.110	95.00 (3.74)	15	AK850/20	34.720	97.50 (3.84)	10
	22	AK800/11	39.111	105.00 (4.13)	10	AK850/22	34.722	107.50 (4.23)	10
	24	AK800/12	39.112	115.00 (4.53)	10	AK850/24	34.724	117.50 (4.63)	10

Dimensions			
mm	in.	mm	in.
0.60	0.024	10.50	0.413
0.90	0.035	11.10	0.437
2.50	0.098	15.00	0.591
2.70	0.106	19.00	0.748
4.00	0.157	21.50	0.846
4.40	0.173	25.00	0.984
5.00	0.197	34.00	1.339
10.00	0.394		



FIXED PRINTED CIRCUIT Metric Pin Spacing^a Dual Pin Screwless Spring Clamp

Choose from 3 methods of clamp actuation:

Type AK(Z)3000 - Insert a small screwdriver with a tip width up to 3mm (approx. 1/8") into slot in housing and push to open clamp.

Type AK(Z)3001KD - Push on grooved lever with screwdriver to open clamp.

Type AK(Z)3001FD - Simply push flat lever with finger to open clamp.

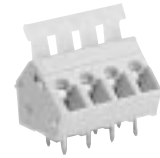
- Interlocking Sectional Design
- Stainless Steel Spring
- Front to Rear Pin Spacing, 5mm (.197 in.)
- Multipole Assemblies Supplied with End Plate Installed.
- Housing Material: Polyamide 6.6
- Standard Color: Light Gray

^aBlocks with US (inch) pin spacing begin on page 110.

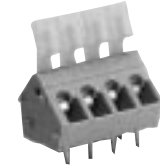


AK3000
45° Wire Entry
Without Lever

Pin Spacing 5mm (.197)
Stripping Length 6mm (.236)



AK3001KD
45° Wire Entry
With Grooved Push Lever



AK3001FD
45° Wire Entry
With Flat Push Lever

Pin Spacing 5mm (.197)
Stripping Length 6mm (.236)



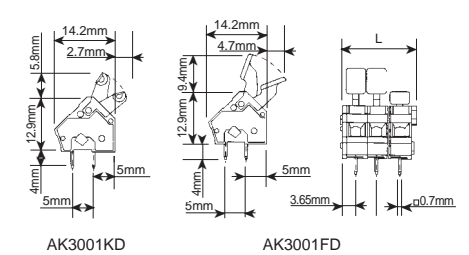
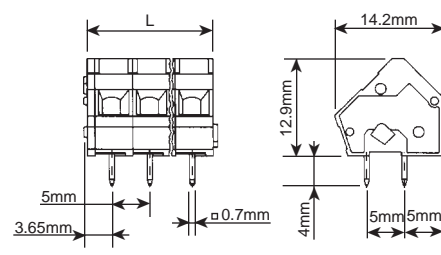
Wire Range	Current	Voltage
0.5-2.5mm ²	10A	250V
28-14 AWG	15A	300V
28-14 AWG	15A	300V

Wire Range	Current	Voltage
0.5-2.5mm ²	10A	250V
28-14 AWG	15A	300V
28-14 AWG	15A	300V

Ordering Information	No. of Poles ^c	AK3000				AK3001KD				AK3001FD			
		Type	Cat. No.	Length L mm (in.)	Std. Pk.	Type	Cat. No.	Length L mm (in.)	Std. Pk.	Type	Cat. No.	Length L mm (in.)	Std. Pk.
Terminal Block, mm Pin Spacing		With Grooved Push Lever											
Two through twelve pole assemblies include one endplate													
1 ^b	2	AK3000/1	32.101	7.20 (.28)	200 ^b	AK3001KD/1	32.201	7.90 (.31)	200 ^b	AK3001FD/1	32.301	7.90 (.31)	200 ^b
2	3	AK3000/2	32.102	12.20 (.48)	100	AK3001KD/2	32.202	12.90 (.50)	100	AK3001FD/2	32.302	12.90 (.50)	100
3	4	AK3000/3	32.103	17.20 (.67)	100	AK3001KD/3	32.203	17.90 (.70)	100	AK3001FD/3	32.303	17.90 (.70)	100
4	5	AK3000/4	32.104	22.20 (.87)	50	AK3001KD/4	32.204	22.90 (.90)	50	AK3001FD/4	32.304	22.90 (.90)	50
5	6	AK3000/5	32.105	27.20 (1.07)	50	AK3001KD/5	32.205	27.90 (1.10)	50	AK3001FD/5	32.305	27.90 (1.10)	50
6	7	AK3000/6	32.106	32.20 (1.28)	50	AK3001KD/6	32.206	32.90 (1.30)	50	AK3001FD/6	32.306	32.90 (1.30)	50
7	8	AK3000/7	32.107	37.20 (1.46)	30	AK3001KD/7	32.207	37.90 (1.49)	30	AK3001FD/7	32.307	37.90 (1.49)	30
8	9	AK3000/8	32.108	42.20 (1.66)	30	AK3001KD/8	32.208	42.90 (1.69)	30	AK3001FD/8	32.308	42.90 (1.69)	30
9	10	AK3000/9	32.109	47.20 (1.85)	30	AK3001KD/9	32.209	47.90 (1.89)	30	AK3001FD/9	32.309	47.90 (1.89)	30
10	11	AK3000/10	32.110	52.20 (2.25)	30	AK3001KD/10	32.210	52.90 (2.08)	30	AK3001FD/10	32.310	52.90 (2.08)	30
11	12	AK3000/11	32.111	57.20 (2.25)	20	AK3001KD/11	32.211	57.90 (2.28)	20	AK3001FD/11	32.311	57.90 (2.28)	20
12		AK3000/12	32.112	62.20 (2.44)	20	AK3001KD/12	32.212	62.90 (2.44)	20	AK3001FD/12	32.312	62.90 (2.44)	20
Terminal Block, mm Pin Spacing		With Flat Push Lever											
Two through twelve pole assemblies include one endplate													
1 ^b	2												
2	3												
3	4												
4	5												
5	6												
6	7												
7	8												
8	9												
9	10												
10	11												
11	12												
12													

End Plate	AP3000	32.100	50	AP3001	32.200	50
-----------	--------	--------	----	--------	--------	----

mm		in.		Dimensions	
0.70	0.028	5.80	0.228		
2.70	0.106	9.40	0.370		
3.65	0.144	12.90	0.508		
4.00	0.157	14.20	0.559		
4.70	0.185				
5.00	0.197				



^b Supplied as 50 pole break apart assemblies, includes one end plate. Order additional end plates separately
^c Up to 50 poles available, please consult Altech

PLUGGABLE PRINTED CIRCUIT Metric Pin Spacing^a Tubular Screw Clamp Plug

For plug-in applications where infrequent wire-to-board connections are made and a very cost effective pluggable terminal block is needed.

Multipole assemblies are offered in modular interlocking design up to 12 poles or single mold construction up to 16 poles. While modular construction reduces and simplifies inventory, the single mold design provides maximum strength.

- Modular or Single Mold Design
- Wire Protector Standard
- Housing Material: Polyamide 6.6
- Standard Color: Gray

^aBlocks with US (Inch) pin spacing begin on page 110.



AK130 Modular Plug

Pole Spacing 5mm (.197)
Stripping Length 6mm (.236)
Screw Hole Diameter 3.5mm (.138)

Use with STL130, STL132, STL140 Headers



AK132 Single Mold Plug

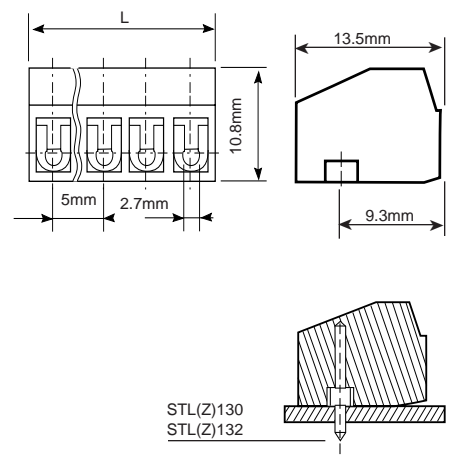
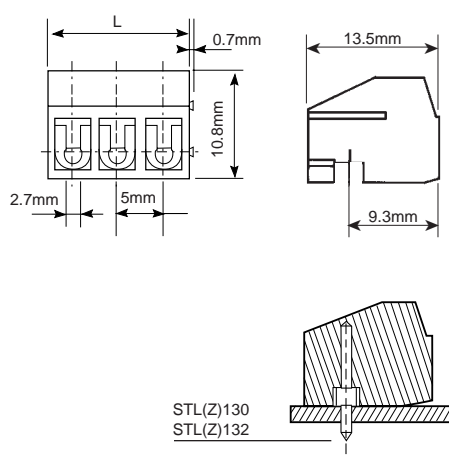
Pole Spacing 5mm (.197)
Stripping Length 6mm (.236)
Screw Hole Diameter 3.5mm (.138)

Use with STL130, STL132, STL140 Headers

Ratings		Wire Range	Current	Voltage	Wire Range	Current	Voltage
IEC/VDE		0.5-1.5mm ²	10A	250V	0.5-1.5mm ²	10A	250V
UL (File No. E101811)		22-14 AWG	10A	300V	22-14 AWG	10A	300V
CSA (File No. LR68503)		22-14 AWG	10A	300V	22-14 AWG	10A	300V

Ordering Information	No. of Poles	Type	Cat. No.	Length L mm (in.)	Std. Pk.	Type	Cat. No.	Length L mm (in.)	Std. Pk.
Plug, mm Pole Spacing	2	AK130/2wp	30.302	10.00 (.39)	100	AK132/2wp	30.322	10.00 (.39)	100
	3	AK130/3wp	30.303	15.00 (.59)	100	AK132/3wp	30.323	15.00 (.59)	100
	4	AK130/4wp	30.304	20.00 (.79)	50	AK132/4wp	30.324	20.00 (.79)	50
	5	AK130/5wp	30.305	25.00 (.99)	50	AK132/5wp	30.325	25.00 (.99)	50
	6	AK130/6wp	30.306	30.00 (1.18)	50	AK132/6wp	30.326	30.00 (1.18)	50
	7	AK130/7wp	30.307	35.00 (1.38)	30	AK132/7wp	30.327	35.00 (1.38)	30
	8	AK130/8wp	30.308	40.00 (1.58)	30	AK132/8wp	30.328	40.00 (1.58)	30
	9	AK130/9wp	30.309	45.00 (1.77)	30	AK132/9wp	30.329	45.00 (1.77)	30
	10	AK130/10wp	30.310	50.00 (1.97)	30	AK132/10wp	30.330	50.00 (1.97)	30
	11	AK130/11wp	30.311	55.00 (2.17)	20	AK132/11wp	30.331	55.00 (2.17)	20
	12	AK130/12wp	30.312	60.00 (2.36)	20	AK132/12wp	30.332	60.00 (2.36)	20
	13					AK132/13wp	30.333	65.00 (2.56)	20
	14					AK132/14wp	30.334	70.00 (2.76)	20
	15					AK132/15wp	30.335	75.00 (2.95)	20
	16					AK132/16wp	30.336	80.00 (3.15)	15

Dimensions			
mm	in.	mm	in.
0.70	0.028	9.30	0.366
2.70	0.106	10.80	0.425
5.00	0.197	13.50	0.531



PLUGGABLE PRINTED CIRCUIT Metric Pin Spacing^a Pin Headers

STL130, STL132 (Straight) and STL140 (Right Angle) Pin Headers are used with the highly cost effective Tubular Screw Clamp Plugs, Types AK130 and AK132. in lighter duty applications where infrequent wire to board connections must be made. Type STL132 features a reduced pin diameter of 1.0mm (.0394") on the soldering side.

Open pin headers are supplied in strips up to 16 poles or in standard 24 pole lengths. The Pin Header strip features breakaway construction that eliminates cutting or sawing.

- Straight and Right Angle
- Strip Material: Polyamide 6.6
- Standard Color: Gray

^aBlocks with US (Inch) pin spacing begin on page 110.



STL130
Straight Pin Header



STL140
Right Angle Pin Header^b

Pin Spacing 5mm (.197)

Use with AK130 and AK132 Plugs

Smaller pin diameter for 1.0mm (.0394") through-holes



STL132
Straight Pin Header

Pin Spacing 5mm (.197)

Use with AK130, AK132 Plugs

Ratings

IEC/VDE

(File No. E101811)

(File No. LR68503)

Current

10A

10A^c

10A^c

Voltage

250V

300V^c

300V^c

Current

10A

10A^c

10A^c

Voltage

250V

300V^c

300V^c

Ordering Information

No. of Poles

Type

Cat. No.

Length L
mm (in.)

Std. Pk.

Type

Cat. No.

Length L
mm (in.)

Std. Pk.

Straight Pin Header,
mm Pin Spacing

2	STL130/2	30.352	10.00 (.39)	100
3	STL130/3	30.353	15.00 (.59)	100
4	STL130/4	30.354	20.00 (.79)	50
5	STL130/5	30.355	25.00 (.98)	50
6	STL130/6	30.356	30.00 (1.18)	50
7	STL130/7	30.357	35.00 (1.38)	30

2	STL132/2	32.502	10.00 (.39)	100
3	STL132/3	32.503	15.00 (.59)	100
4	STL132/4	32.504	20.00 (.79)	50
5	STL132/5	32.505	25.00 (.98)	50
6	STL132/6	32.506	30.00 (1.18)	50
7	STL132/7	32.507	35.00 (1.38)	30

8	STL130/8	30.358	40.00 (1.58)	30
9	STL130/9	30.359	45.00 (1.77)	30
10	STL130/10	30.360	50.00 (1.97)	30
11	STL130/11	30.361	55.00 (2.17)	20
12	STL130/12	30.362	60.00 (2.36)	20
13	STL130/13	30.363	65.00 (2.56)	20
14	STL130/14	30.364	70.00 (2.76)	20

8	STL132/8	32.508	40.00 (1.58)	30
9	STL132/9	32.509	45.00 (1.77)	30
10	STL132/10	32.510	50.00 (1.97)	30
11	STL132/11	32.511	55.00 (2.17)	20
12	STL132/12	32.512	60.00 (2.36)	20
13	STL132/13	32.513	65.00 (2.56)	20
14	STL132/14	32.514	70.00 (2.76)	20

15	STL130/15	30.365	75.00 (2.95)	20
16	STL130/16	30.366	80.00 (3.15)	20
24	STL130/24	30.374	120.00 (4.72)	20

15	STL132/15	32.515	75.00 (2.95)	20
16	STL132/16	32.516	80.00 (3.15)	20
24	STL132/24	32.524	120.00 (4.72)	20

Right Angle Pin Header,
mm Pin Spacing

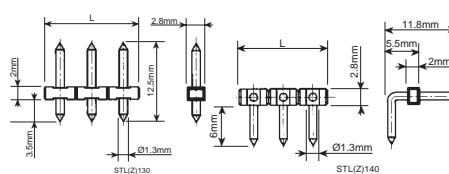
2	STL140/2	30.472	10.00 (.39)	100
3	STL140/3	30.473	15.00 (.59)	100
4	STL140/4	30.474	20.00 (.79)	50
5	STL140/5	30.475	25.00 (.98)	50
6	STL140/6	30.476	30.00 (1.18)	50
7	STL140/7	30.477	35.00 (1.38)	50

8	STL140/8	30.478	40.00 (1.58)	30
9	STL140/9	30.479	45.00 (1.77)	30
10	STL140/10	30.480	50.00 (1.97)	30
11	STL140/11	30.481	55.00 (2.17)	20
12	STL140/12	30.482	60.00 (2.36)	20
13	STL140/13	30.483	65.00 (2.56)	20
14	STL140/14	30.484	70.00 (2.76)	20

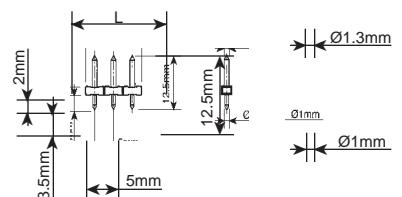
15	STL140/15	30.485	75.00 (2.95)	20
16	STL140/16	30.486	80.00 (3.15)	20
24	STL140/24	30.494	120.00 (4.72)	20

Dimensions			
mm	in.	mm	in.
1.00	0.039	5.50	0.217
1.30	0.051	6.00	0.236
2.00	0.079	11.80	0.465
2.80	0.110	12.50	0.492
3.50	0.138	15.00	0.591
5.00	0.197		

^bTo insure proper pin positioning, install header into AK130 or AK132 Plug before soldering into board



^c Pending, STL140, STL132



STANDARD PLUGGABLE PRINTED CIRCUIT

Metric Pin Spacing^a Screw-Cage Clamp Plug

For standard industrial plug-in applications where multiple wire-to-board connections must be made quickly and simultaneously.



Reduce wiring mistakes, downtime and facilitate troubleshooting. Simply unplug defective board and plug in a new one.

Horizontal and Vertical Headers are available in open and closed end designs. Refer to pages 148 to 149.

- Multipole, Single Mold Construction
- Industry Standard Compatible
- Locking Tabs Prevent Unplugging
- Optional Keying Prevents Misplugging^b
- Housing Material: Polyamide 6.6
- Standard Color: Green

^aBlocks with US (Inch) pin spacing begin on page 110.

Ratings

IEC/VDE
 (File No. E101811)
 (File No. LR68503)



AK950

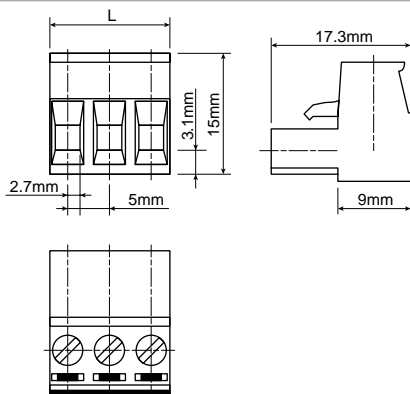
Wire Entry in Same Direction as Plug-In

Pole Spacing 5mm (.197)
 Stripping Length 7mm (.276)
 Screw Hole Diameter 3.5mm (.138)

Use with STL950, STL955 Headers

Ordering Information	No. of Poles	Type	Cat. No.	Length L mm (in.)	Std. Pk.
Plug, mm Pole Spacing	2	AK950/2	37.702	10.00 (.39)	100
	3	AK950/3	37.703	15.00 (.59)	100
	4	AK950/4	37.704	20.00 (.79)	50
	5	AK950/5	37.705	25.00 (.98)	50
	6	AK950/6	37.706	30.00 (1.18)	50
	7	AK950/7	37.707	35.00 (1.38)	30
		8	AK950/8	37.708	40.00 (1.58)
	9	AK950/9	37.709	45.00 (1.77)	30
	10	AK950/10	37.710	50.00 (1.97)	30
	11	AK950/11	37.711	55.00 (2.17)	20
	12	AK950/12	37.712	60.00 (2.36)	20
	13	AK950/13	37.713	65.00 (2.56)	20
	14	AK950/14	37.714	70.00 (2.76)	20
	15	AK950/15	37.715	75.00 (2.95)	20
	16	AK950/16	37.716	80.00 (3.15)	15
	17	AK950/17	37.717	85.00 (3.35)	15
	18	AK950/18	37.718	90.00 (3.54)	15
	19	AK950/19	37.719	95.00 (3.74)	15
	20	AK950/20	37.720	100.00 (3.94)	15
	21	AK950/21	37.721	105.00 (4.13)	10
	22	AK950/22	37.722	110.00 (4.33)	10
	23	AK950/23	37.723	115.00 (4.53)	10
	24	AK950/24	37.724	120.00 (4.72)	10

mm		in.	
2.70	0.106	9.00	0.354
3.10	0.122	15.00	0.591
5.00	0.197	17.30	0.681



^bFor Keying, refer to Accessories on page 150.

STANDARD PLUGGABLE PRINTED CIRCUIT Metric Pin Spacing^a Screw-Cage Clamp Plug

For standard industrial plug-in applications where multiple wire-to-board connections must be made quickly and simultaneously.

Two wire entry options increase plug accessibility. The shape of the plug facilitates plug-in and removal.

Horizontal and Vertical Headers are available in open and closed end designs. Refer to pages 148 to 149.

- Multipole, Single Mold Construction
- Industry Standard Compatible
- Locking Tab Prevents Unplugging
- Optional Keying Prevents Misplugging^b
- Housing Material: Polyamide 6.6
- Standard Color: Green^c

^aBlocks with US(inch) spacing begin on page 110.



Ordering Information		No. of Poles	Type	Cat. No.	Length L mm (in.)	Std. Pk.	Type	Cat. No.	Length L mm (in.)	Std. Pk.
Plug, mm Pole Spacing	2	2	BU06/2	36.202	10.00 (.39)	100	BU08/2	36.252	10.00 (.39)	100
	3	3	BU06/3	36.203	15.00 (.59)	100	BU08/3	36.253	15.00 (.59)	100
	4	4	BU06/4	36.204	20.00 (.79)	50	BU08/4	36.254	20.00 (.79)	50
	5	5	BU06/5	36.205	25.00 (.98)	50	BU08/5	36.255	25.00 (.98)	50
	6	6	BU06/6	36.206	30.00 (1.18)	50	BU08/6	36.256	30.00 (1.18)	50
	7	7	BU06/7	36.207	35.00 (1.38)	30	BU08/7	36.257	35.00 (1.38)	30
	8	8	BU06/8	36.208	40.00 (1.58)	30	BU08/8	36.258	40.00 (1.58)	30
	9	9	BU06/9	36.209	45.00 (1.77)	30	BU08/9	36.259	45.00 (1.77)	30
	10	10	BU06/10	36.210	50.00 (1.97)	30	BU08/10	36.260	50.00 (1.97)	30
	11	11	BU06/11	36.211	55.00 (2.17)	20	BU08/11	36.261	55.00 (2.17)	20
	12	12	BU06/12	36.212	60.00 (2.36)	20	BU08/12	36.262	60.00 (2.36)	20
	13	13	BU06/13	36.213	65.00 (2.56)	20	BU08/13	36.263	65.00 (2.56)	20
	14	14	BU06/14	36.214	70.00 (2.76)	20	BU08/14	36.264	70.00 (2.76)	20
	15	15	BU06/15	36.215	75.00 (2.95)	20	BU08/15	36.265	75.00 (2.95)	20
	16	16	BU06/16	36.216	80.00 (3.15)	15	BU08/16	36.266	80.00 (3.15)	15
	17	17	BU06/17	36.217	85.00 (3.35)	15	BU08/17	36.267	85.00 (3.35)	15
	18	18	BU06/18	36.218	90.00 (3.54)	15	BU08/18	36.268	90.00 (3.54)	15
	19	19	BU06/19	36.219	95.00 (3.74)	15	BU08/19	36.269	95.00 (3.74)	15
	20	20	BU06/20	36.220	100.00 (3.94)	15	BU08/20	36.270	100.00 (3.94)	15

Dimensions			
mm	in.	mm	in.
5.00	0.197	12.50	0.492
8.30	0.327	26.50	1.043



BU06^e

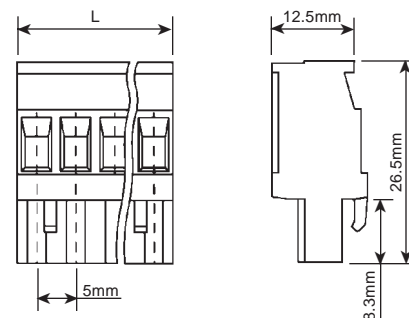
Wire Entry Perpendicular to Plug-In
(On Locking Tab Side)

Pole Spacing 5mm (.197)
Stripping Length 8mm (.315)
Screw Hole Diameter 3.5mm (.138)

Use with STL950, STL955 Headers

Wire Range	Current	Voltage
0.5-2.5mm ²	12A	250V
22-10 AWG	15A	300V
22-10 AWG	15A	300V

Type	Cat. No.	Length L mm (in.)	Std. Pk.
BU06/2	36.202	10.00 (.39)	100
BU06/3	36.203	15.00 (.59)	100
BU06/4	36.204	20.00 (.79)	50
BU06/5	36.205	25.00 (.98)	50
BU06/6	36.206	30.00 (1.18)	50
BU06/7	36.207	35.00 (1.38)	30
BU06/8	36.208	40.00 (1.58)	30
BU06/9	36.209	45.00 (1.77)	30
BU06/10	36.210	50.00 (1.97)	30
BU06/11	36.211	55.00 (2.17)	20
BU06/12	36.212	60.00 (2.36)	20
BU06/13	36.213	65.00 (2.56)	20
BU06/14	36.214	70.00 (2.76)	20
BU06/15	36.215	75.00 (2.95)	20
BU06/16	36.216	80.00 (3.15)	15
BU06/17	36.217	85.00 (3.35)	15
BU06/18	36.218	90.00 (3.54)	15
BU06/19	36.219	95.00 (3.74)	15
BU06/20	36.220	100.00 (3.94)	15



^eAvailable late 1995



BU08^f

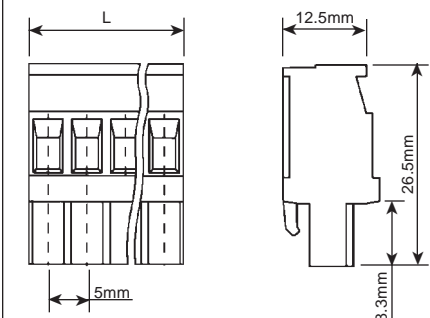
Wire Entry Perpendicular to Plug-In
(On Scalloped Side)

Pole Spacing 5mm (.197)
Stripping Length 8mm (.315)
Screw Hole Diameter 3.5mm (.138)

Use with STL950, STL955 Headers

Wire Range	Current	Voltage
0.5-2.5mm ²	12A	250V
22-10 AWG	15A	300V
22-10 AWG	15A	300V

Type	Cat. No.	Length L mm (in.)	Std. Pk.
BU08/2	36.252	10.00 (.39)	100
BU08/3	36.253	15.00 (.59)	100
BU08/4	36.254	20.00 (.79)	50
BU08/5	36.255	25.00 (.98)	50
BU08/6	36.256	30.00 (1.18)	50
BU08/7	36.257	35.00 (1.38)	30
BU08/8	36.258	40.00 (1.58)	30
BU08/9	36.259	45.00 (1.77)	30
BU08/10	36.260	50.00 (1.97)	30
BU08/11	36.261	55.00 (2.17)	20
BU08/12	36.262	60.00 (2.36)	20
BU08/13	36.263	65.00 (2.56)	20
BU08/14	36.264	70.00 (2.76)	20
BU08/15	36.265	75.00 (2.95)	20
BU08/16	36.266	80.00 (3.15)	15
BU08/17	36.267	85.00 (3.35)	15
BU08/18	36.268	90.00 (3.54)	15
BU08/19	36.269	95.00 (3.74)	15
BU08/20	36.270	100.00 (3.94)	15



^fAvailable late 1995

PLUGGABLE PRINTED CIRCUIT Metric Pin Spacing^a Headers

Horizontal or vertical headers offer different wire entry options and enhance plug accessibility. Closed end headers prevent misplugging.

- Multipole, Single Mold Construction
- Industry Standard Compatible
- Horizontal and Vertical
- Open and Closed Ends
- Housing Material: Polyamide 6.6
- Standard Color: Green

^aBlocks with US (Inch) pin spacing begin on page 110.



STL950-W
Horizontal - Closed Ends

Pin Spacing 5mm (.197)

Use with AK950, BU06, BU08 Plugs



STL950-O
Horizontal - Open Ends

Pin Spacing 5mm (.197)

Use with AK950, BU06, BU08 Plugs

Ratings

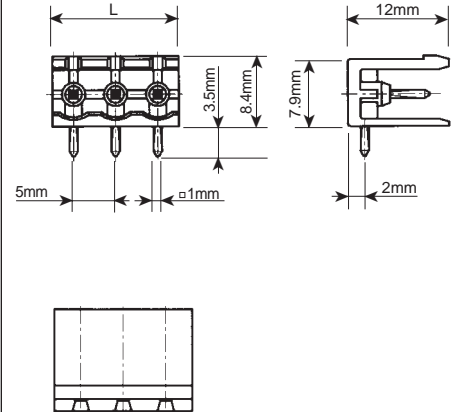
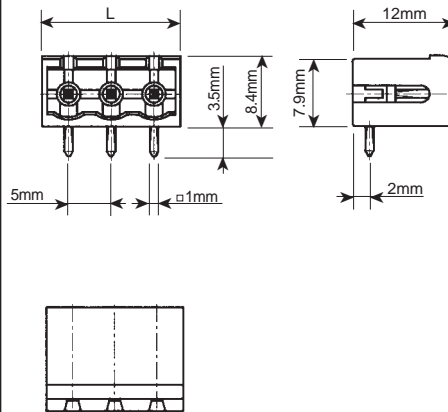
IEC/VDE
UL (File No. E101811)
CSA (File No. LR68503)

Current	Voltage
12A	250V
15A	300V
15A	300V

Current	Voltage
12A	250V
15A	300V
15A	300V

Ordering Information		No. of Poles	Type	Cat. No.	Length L mm (in.)	Std. Pk.	Type	Cat. No.	Length L mm (in.)	Std. Pk.
Header, mm Pin Spacing		2	STL950/2-w	37.552	11.20 (.44)	100	STL950/2-o	37.352	9.80 (.39)	100
		3	STL950/3-w	37.553	16.20 (.64)	100	STL950/3-o	37.353	14.80 (.58)	100
		4	STL950/4-w	37.554	21.20 (.84)	50	STL950/4-o	37.354	19.80 (.78)	50
		5	STL950/5-w	37.555	26.20 (1.03)	50	STL950/5-o	37.355	24.80 (.98)	50
		6	STL950/6-w	37.556	31.20 (1.23)	50	STL950/6-o	37.356	29.80 (1.17)	50
		7	STL950/7-w	37.557	36.20 (1.43)	30	STL950/7-o	37.357	34.80 (1.37)	30
		8	STL950/8-w	37.558	41.20 (1.62)	30	STL950/8-o	37.358	39.80 (1.57)	30
		9	STL950/9-w	37.559	46.20 (1.82)	30	STL950/9-o	37.359	44.80 (1.76)	30
		10	STL950/10-w	37.560	51.20 (2.02)	30	STL950/10-o	37.360	49.80 (1.96)	30
		11	STL950/11-w	37.561	56.20 (2.21)	20	STL950/11-o	37.361	54.80 (2.16)	20
		12	STL950/12-w	37.562	61.20 (2.41)	20	STL950/12-o	37.362	59.80 (2.35)	20
		13	STL950/13-w	37.563	66.20 (2.61)	20	STL950/13-o	37.363	64.80 (2.55)	20
		14	STL950/14-w	37.564	71.20 (2.80)	20	STL950/14-o	37.364	69.80 (2.75)	20
		15	STL950/15-w	37.565	76.20 (3.00)	20	STL950/15-o	37.365	74.80 (2.95)	20
		16	STL950/16-w	37.566	81.20 (3.20)	15	STL950/16-o	37.366	79.80 (3.14)	15
		17	STL950/17-w	37.567	86.20 (3.39)	15	STL950/17-o	37.367	84.80 (3.34)	15
		18	STL950/18-w	37.568	91.20 (3.59)	15	STL950/18-o	37.368	89.80 (3.54)	15
		19	STL950/19-w	37.569	96.20 (3.79)	15	STL950/19-o	37.369	94.80 (3.73)	15
		20	STL950/20-w	37.570	101.20 (3.98)	15	STL950/20-o	37.370	99.80 (3.93)	15
		21	STL950/21-w	37.571	106.20 (4.18)	10	STL950/21-o	37.371	104.80 (4.13)	10
		22	STL950/22-w	37.572	111.20 (4.38)	10	STL950/22-o	37.372	109.80 (4.32)	10
		23	STL950/23-w	37.573	116.20 (4.57)	10	STL950/23-o	37.373	114.80 (4.52)	10
		24	STL950/24-w	37.574	121.20 (4.77)	10	STL950/24-o	37.374	119.80 (4.72)	10

Dimensions			
mm	in.	mm	in.
1.00	0.390	5.00	0.197
2.00	0.079	7.90	0.311
3.50	0.138	8.40	0.331
3.80	0.150	12.00	0.472
3.90	0.154		





STL955-W
Vertical - Closed Ends

Pin Spacing 5mm (.197)

Use with AK950, BU06, BU08 Plugs



STL955-O
Vertical - Open Ends

Pin Spacing 5mm (.197)

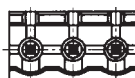
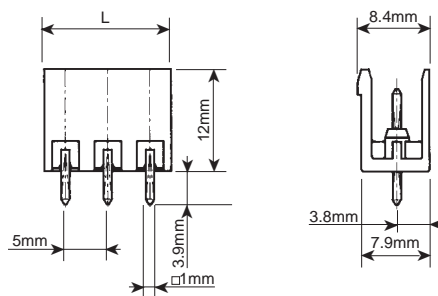
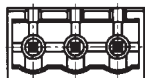
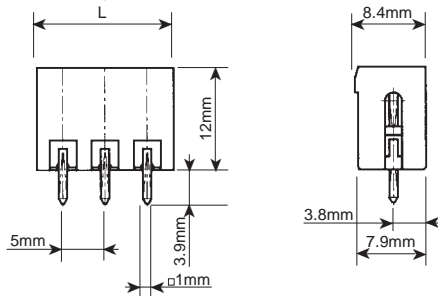
Use with AK950, BU06, BU08 Plugs

Current	Voltage
12A	250V
15A	300V
15A	300V

Current	Voltage
12A	250V
15A	300V
15A	300V

Type	Cat. No.	Length L mm (in.)	Std. Pk.
STL955/2-w	37.602	11.20 (.44)	100
STL955/3-w	37.603	16.20 (.64)	100
STL955/4-w	37.604	21.20 (.84)	50
STL955/5-w	37.605	26.20 (1.03)	50
STL955/6-w	37.606	31.20 (1.23)	50
STL955/7-w	37.607	36.20 (1.43)	30
STL955/8-w	37.608	41.20 (1.62)	30
STL955/9-w	37.609	46.20 (1.82)	30
STL955/10-w	37.610	51.20 (2.02)	30
STL955/11-w	37.611	56.20 (2.21)	20
STL955/12-w	37.612	61.20 (2.41)	20
STL955/13-w	37.613	66.20 (2.61)	20
STL955/14-w	37.614	71.20 (2.80)	20
STL955/15-w	37.615	76.20 (3.00)	20
STL955/16-w	37.616	81.20 (3.20)	15
STL955/17-w	37.617	86.20 (3.39)	15
STL955/18-w	37.618	91.20 (3.59)	15
STL955/19-w	37.619	96.20 (3.79)	15
STL955/20-w	37.620	101.20 (3.98)	15
STL955/21-w	37.621	106.20 (4.18)	10
STL955/22-w	37.622	111.20 (4.38)	10
STL955/23-w	37.623	116.20 (4.57)	10
STL955/24-w	37.624	121.20 (4.77)	10

Type	Cat. No.	Length L mm (in.)	Std. Pk.
STL955/2-o	37.402	9.80 (.39)	100
STL955/3-o	37.403	14.80 (.58)	100
STL955/4-o	37.404	19.80 (.78)	50
STL955/5-o	37.405	24.80 (.98)	50
STL955/6-o	37.406	29.80 (1.17)	50
STL955/7-o	37.407	34.80 (1.37)	30
STL955/8-o	37.408	39.80 (1.57)	30
STL955/9-o	37.409	44.80 (1.76)	30
STL955/10-o	37.410	49.80 (1.96)	30
STL955/11-o	37.411	54.80 (2.16)	20
STL955/12-o	37.412	59.80 (2.35)	20
STL955/13-o	37.413	64.80 (2.55)	20
STL955/14-o	37.414	69.80 (2.75)	20
STL955/15-o	37.415	74.80 (2.95)	20
STL955/16-o	37.416	79.80 (3.14)	15
STL955/17-o	37.417	84.80 (3.34)	15
STL955/18-o	37.418	89.80 (3.54)	15
STL955/19-o	37.419	94.80 (3.73)	15
STL955/20-o	37.420	99.80 (3.93)	15
STL955/21-o	37.421	104.80 (4.13)	10
STL955/22-o	37.422	109.80 (4.32)	10
STL955/23-o	37.423	114.80 (4.52)	10
STL955/24-o	37.424	119.80 (4.72)	10



PRINTED CIRCUIT ACCESSORIES

Convenient options that facilitate wire termination and increase wiring efficiency.

KEYING INSERTS

Use KI Keying Inserts to prevent misplugging of screw-cage clamp plugs in adjoining headers without loss of position. Incorrect plug installation can cause serious electrical damage to sensitive electronic circuits.

Type KI-AK Keying Insert is a precision molded profile that installs into parallel slots provided on the plug housing. Type KI-STL is a similar insert that installs into slots molded into the header housing.

When two of these inserts are located in corresponding slots on both the plug and header, the pair cannot be joined because the inserts interfere with one another. If the inserts are installed into separate slots on the plug and header, the pair will engage as usual.

Keying Inserts install quickly and easily and are held securely in place by a friction fit. You devise the pattern and select the quantity of inserts required for your application.

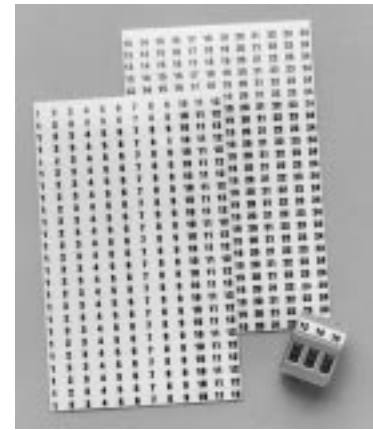
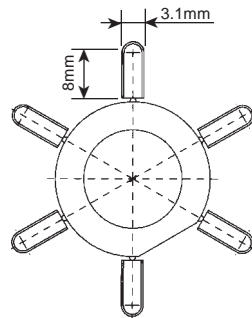
Packaged for convenient handling KI-AK and KI-STL Inserts are supplied on wheels of 6 inserts.

Factory keyed plugs and headers are available, please consult Altech with your keying requirements. Color: Red. Molding Material: Polyamide 6.6.



KI KEYING INSERTS

Type	Cat. No.	Std. Pk. Wheels/ Inserts	Use With Types
KI-AK	37.903	50/300	AK950 AKZ950 AKZ1200 BU06 BU08 BU02 BU04



KSO MARKING LABELS

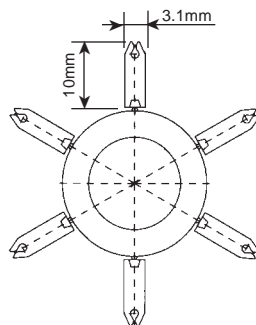
Character Imprint	Type	Cat. No.	Std. Pk. Cards/ Strips
1 - 12	KSO112	30.096	5/125
13 - 24	KSO1324	30.097	5/125
12 - 1	KSO121	30.098	5/125
Blank	KSO00	30.099	5/125

MARKING LABELS

Use KSO preprinted pressure sensitive labels for printed circuit board applications where changing requirements make it impractical to order and inventory hot stamp imprinted terminal blocks. Preprinted labels are quick and easy to apply to all Fixed and Pluggable Printed Circuit Terminal Blocks. Simply cut to required length and peel strip from card. Apply the strip to the terminal block by exerting finger pressure.

Marking cards contain 25 strips and are available in several standard number combinations. Select from consecutive ascending numbers 1 - 12, 13 - 24; consecutive descending numbers 12 - 1; and blank for hand marking. Custom Marking Labels with special character imprints are also available upon request. Imprint is black on white labels. Material: White PVC.

KI-STL	37.904	50/300	STL950 STL955 STLZ950 STLZ955 STLZ990
--------	--------	--------	---



PRINTED CIRCUIT ACCESSORIES

HOT STAMP IMPRINTING

For high volume requirements or when it is impractical to apply PSA Marking Labels, use Hot Stamp Imprinting to provide positive circuit identification for Fixed and Pluggable Printed Circuit Terminal Blocks. Properly identified circuits increase wiring efficiency, save installation time and make wire hook-up, system modifications and trouble shooting quick and easy.

Hot Stamp Imprinting provides a permanent marking which will not rub, wear or wash off even when solvents are present.

Standard or custom imprint sequences are available for 2 to 24 pole positions. Imprints are centered above the wire entry.

Standard Imprint

- Character Style - DAVID
- Character Size: 8 Pt., 2.4mm (3/32 in.) high
- Standard Imprint Color: Black on Green Housing; White on Gray Housing
- Optional Imprint Color: White on Green Housing

Imprint Ordering

Standard Imprints can be specified and ordered by adding the required suffix after the Cat. No. and Type designation. Simply select the appropriate Ordering Suffix for the required Imprint Sequence.

Hot Stamp Imprints up to 12 poles are standard for US (inch) and metric (mm) spacings. For pricing purposes, they are considered to be one assembly.

Imprints with 13-24 poles are considered to be (2) assemblies. For pricing purposes, they are considered to be two assemblies.

Consult Altech for Hot Stamp Imprinting pricing, minimum order quantities and applicable lot charges.

Custom Imprints

Special number sequences and character combinations including letters, symbols and numbers are available. To order special sequences or combinations send us your imprint schedule. For die charges and minimum order quantities for your custom imprints, please consult Altech.



STANDARD IMPRINT

Ordering Suffix	Imprint Sequence	Imprint Description	Illustration
i A	(1, 2, 3, 4, ...)	Consecutive, Ascending, Left to Right	
i B	(... 4, 3, 2, 1)	Consecutive, Descending Left to Right	
i C	(... '4, '3, '2, '1)	Upside Down, Consecutive Descending, Left to Right	
i D	(... 4, 3, 2, 1)	Upside Down, Consecutive Ascending, Left to Right	

Standard Imprint Example:

13 pole, Type AKZ350 Printed Circuit Terminal Block to be imprinted upside down with descending, consecutive numbers reading left to right should be ordered as below:

Type	Cat. No.
AKZ350/13iC	32.063iC



X-ON Electronics

Largest Supplier of Electrical and Electronic Components

Click to view similar products for [Circuit Breaker Accessories](#) category:

Click to view products by [Altech](#) manufacturer:

Other Similar products are found below :

[CSC-403PS](#) [8T1-D-11A](#) [B151-7184-L](#) [NEB10](#) [8C1-C-721](#) [8T1-E-115](#) [8T1-E-275](#) [8T1-E-278](#) [4-1393247-8](#) [4-1393247-9](#) [506-11315-001](#)
[3803221](#) [3803231](#) [NEB6](#) [X10506BF](#) [NES](#) [9-1393249-0](#) [802-ESB50UL489](#) [3RV2011-1CA15](#) [607.5689.127](#) [30.329](#) [CA707/TS/01](#)
[11-32-2733](#) [X10508BF](#) [X22261102](#) [975090700](#) [CX2.5/4/O](#) [975090701](#) [PS-2P](#) [Y30019003](#) [C-TEC1225 P](#) [PS-1006](#) [618.6335.069](#)
[975455700](#) [BAC03](#) [930727103](#) [934097101](#) [ZG20-1](#) [934097100](#) [JX2.5/4](#) [KEM380CUL](#) [CC848756916](#) [JX2.5/6](#) [JX2.5/5](#) [HSP6/10U](#)
[DMRBU BLACK BOX](#) [DB16/BU](#) [DB16/BL](#) [CM2.5S2](#) [973604100](#)